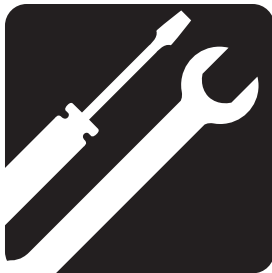




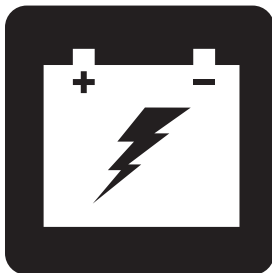
OPERATION



COMFORT



MAINTENANCE



**BATTERY
CHARGING**



RAPTOR SERIES

OWNER'S MANUAL

SAFETY GUIDELINES



WARNING! An authorized Pride Provider or qualified technician must perform the initial setup of this scooter and must perform all of the procedures in this manual.

The symbols below are used throughout this owner's manual and on the scooter to identify warnings and important information. It is very important for you to read them and understand them completely.



WARNING! Indicates a potentially hazardous condition/situation. Failure to follow designated procedures can cause either personal injury, component damage, or malfunction. On the product, this icon is represented as a black symbol on a yellow triangle with a black border.



MANDATORY! These actions should be performed as specified. Failure to perform mandatory actions can cause personal injury and/or equipment damage. On the product, this icon is represented as a white symbol on a blue dot with a white border.



PROHIBITED! These actions are prohibited. These actions should not be performed at any time or in any circumstances. Performing a prohibited action can cause personal injury and/or equipment damage. On the product, this icon is represented as a black symbol with a red circle and red slash.

INTENDED USE

The intended use of the Pride Mobility Products device is to provide mobility to persons limited to a seated position that have the capacity of operating a scooter.

NOTE: *This owner's manual is compiled from the latest specifications and product information available at the time of publication. We reserve the right to make changes as they become necessary. Any changes to our products may cause slight variations between the illustrations and explanations in this manual and the product you have purchased. The latest/current version of this manual is available on our website.*

NOTE: *This product is compliant with WEEE, RoHS, and REACH directives and requirements.*

NOTE: *This product meets IPX4 classification (IEC 60529).*

NOTE: *The product and its components are not made with natural rubber latex. Consult with the manufacturer regarding any after-market accessories.*



WARNING! Avoid abrupt maneuvers at excessive speed. It is recommended that you operate the scooter at the slowest speed until you become familiar with scooter controls and operation.

CONTENTS

I. SAFETY	4
II. YOUR SCOOTER	7
III. BATTERIES AND CHARGING	14
IV. OPERATION	20
V. COMFORT ADJUSTMENTS	22
VII. BASIC TROUBLESHOOTING	24
VIII. CARE AND MAINTENANCE	26

ADVISORY STATEMENT REGARDING CERTAIN PRIDE COMPONENTRY INCORPORATED BY THIRD-PARTY MANUFACTURERS INTO FINISHED SCOOTERS: When Pride bases, seating systems, or other components are incorporated into a finished scooter manufactured or assembled by any third party, that third party is responsible to assure the safety, functionality, and legal compliance of the finished scooter. Pride makes no representation concerning the safety, functionality, or legal compliance of the finished scooter or its non-Pride componentry. While Pride makes every effort to assure that its components are distributed responsibly, manufacturers, distributors, and consumers are reminded that finished scooters must comply with a variety of standards and requirements for governmental safety and functionality.

If it is necessary to physically modify a scooter, including the addition of third-party componentry, to accommodate the medical needs of the scooter occupant, a risk assessment in conformance with ISO 14971, as outlined in ISO_DIS_7176-19 (preliminary release), should be performed.

Changes to scooters that are likely to affect conformance and risk evaluation include but are not limited to: moving the securement-point brackets; lowering the back-support height; shortening the seat length; adding secondary postural supports that are not firmly attached to the scooter; adding components that have sharp edges (i.e., edges with less than 0.08 in. [2 mm] radius); or any change that compromises the structural integrity of the scooter frame.

I. SAFETY

PRODUCT SAFETY SYMBOLS

The symbols below are used on the scooter to identify warnings, mandatory actions, and prohibited actions. It is very important for you to read and understand them completely.

NOTE: There are more warnings identified and explained in the Consumer Safety Guide that is included with your scooter. Please become familiar with all the warnings and safety information found in the Consumer Safety Guide and refer to this resource often.



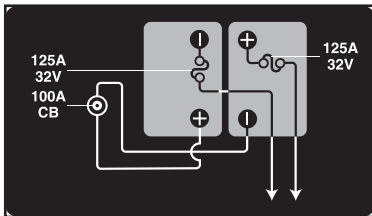
Read and follow the information in the owner's manual.



Manufactured in.



Scooter information label.



Battery Set Configuration:

+ = Positive (Red) Terminal Post

- = Negative (Black) Terminal Post

Connect Red wires to Red Positive (+) Terminal Posts.

Connect Black wires to Black Negative (-) Terminal Posts.



Fully charge batteries before operating.

Remove key from an unattended scooter.



Does not meet ISO 7176-19 standards for occupied transport in a motor vehicle. When traveling in a motor vehicle, do not sit in your scooter.

I. SAFETY

GENERAL



MANDATORY! Do not operate your new scooter for the first time without completely reading and understanding this owner's manual and the Consumer Safety Guide.

Your scooter is a state-of-the-art life-enhancement device designed to increase mobility. We provide an extensive variety of products to best fit the individual needs of the scooter user. Please be aware that the final selection and purchasing decision regarding the type of scooter to be used is the responsibility of the scooter user, who is capable of making such a decision.

The contents of this manual are based on the expectation that a mobility device expert has properly fitted the scooter to the user.

There are certain situations, including some medical conditions, where the scooter user will need to practice operating the scooter in the presence of a trained attendant. A trained attendant can be defined as a family member or care professional specially trained in assisting a scooter user in various daily living activities.

As you begin using your scooter during daily activities, you will probably encounter situations in which you will need some practice. Simply take your time and you will soon be in full and confident control as you maneuver through doorways, on and off elevators, up and down ramps, and over moderate terrain.

Additional general information can be found on the supplemental information sheets and booklets included in your Owner's Package. Please fully read and review the information, and keep it readily available for future reference.

Below are some precautions, tips, and other safety considerations that will help you become accustomed to operating the scooter safely.

PRE-RIDE SAFETY CHECK

Get to know the feel of your scooter and its capabilities. We recommend that you perform a safety check before each use to make sure your scooter operates smoothly and safely.

Perform the following inspections prior to using your scooter:

- Check the condition of the tires. Make sure they are not damaged or excessively worn.
- Check to ensure all tires are inflated to the proper psi/bar/kPa air pressure rating.
- Check all electrical connections. Make sure they are tight and not corroded.
- Check all harness connections. Make sure they are secured properly.
- Check the brakes to ensure they operate properly.
- Check the battery condition meter to ensure the batteries are fully charged.
- Ensure the manual freewheel lever is in drive mode before sitting on the scooter.

If you discover a problem, contact your authorized Pride Provider for assistance. Please refer to the Contact Information insert in your Owner's Package.

I. SAFETY

BRAKING INFORMATION

Your scooter is equipped with these powerful brake systems:

- **Regenerative:** Uses electricity to rapidly slow the vehicle when the throttle control lever returns to the center/stop position.
- **Disc Park Brake:** Activates mechanically after regenerative braking slows the vehicle to near stop or when power is removed from the system for any reason.
- **Handbrake:** This lever provides you with emergency stopping power. See II. “Your Scooter.”

II. YOUR SCOOTER

TILLER CONSOLE

The tiller console houses all controls needed to drive your scooter, including the throttle control lever, forward-reverse switch, hi-low switch, and the handbrake. See figure 1.



PROHIBITED! Do not expose the tiller console to moisture. In the event that the tiller console does become exposed to moisture, do not attempt to operate your scooter until the tiller console has dried thoroughly.

IDENTIFICATION KEY

- | | |
|-------------------------------|-----------------------------|
| 1. LCD Screen | 10. Key Switch |
| 2. Handbrake | 11. Mirror |
| 3. Parking Brake | 12. Throttle Control |
| 4. High Beam/Low Beam Switch | 13. Hi-Low Switch |
| 5. Turn Signal Switch | 14. Forward-Reverse Switch |
| 6. Left Turn Signal Position | 15. Lights Switch |
| 7. Turn Signal Off Position | 16. Full Lights Position |
| 8. Right Turn Signal Position | 17. Running Lights Position |
| 9. Horn Buttons | 18. Lights Off Position |

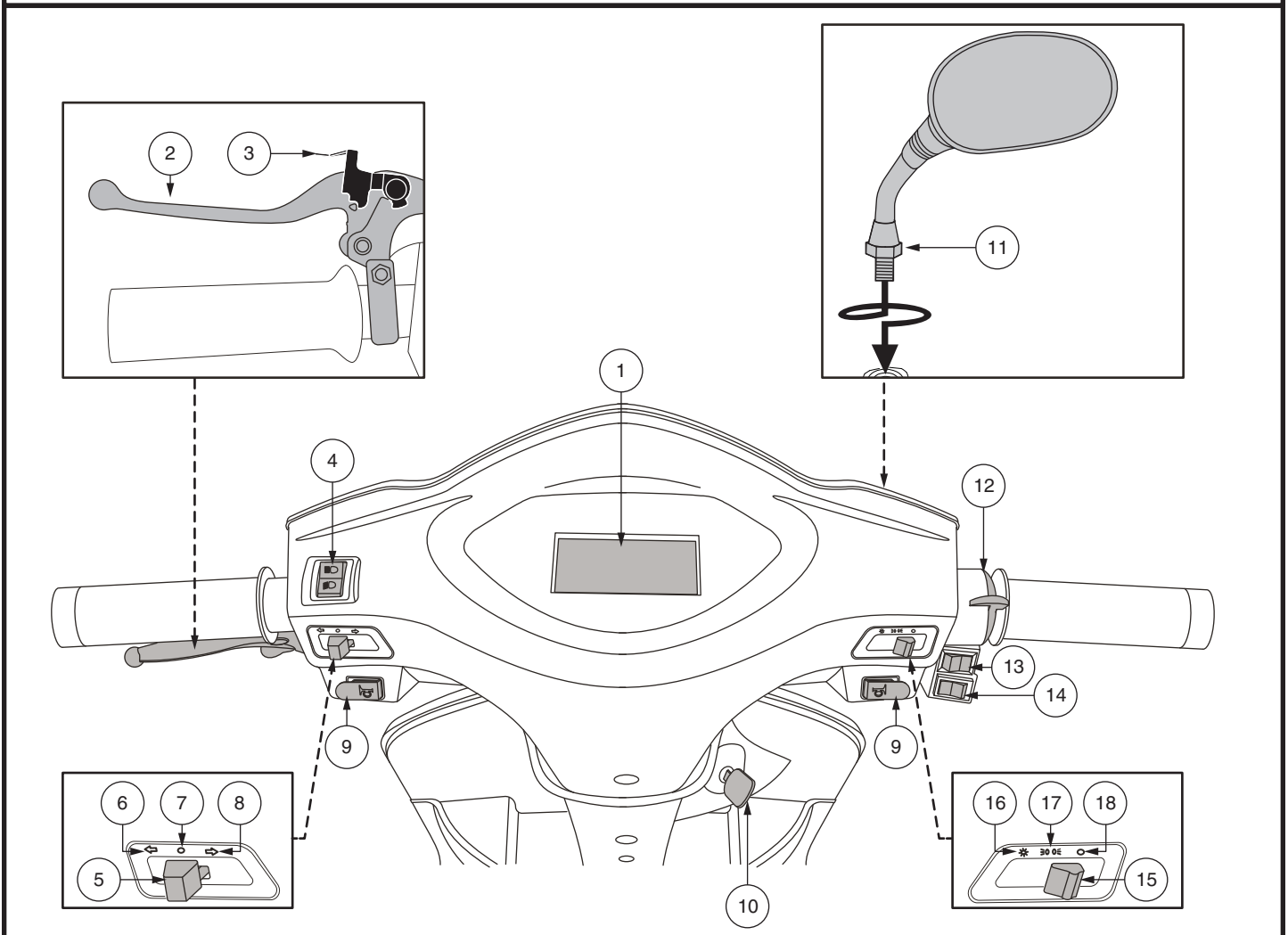


Figure 1. Tiller Console

II. YOUR SCOOTER

Hi-Low Switch

This switch toggles the scooter's speed between HIGH and LOW.

- Press the **Hi-Low** switch to the "H" position to set the speed adjustment to High.
- Press the **Hi-Low** switch to the "L" position to set the speed adjustment to Low.

Forward-Reverse Switch

This switch controls the driving direction of your scooter.

- Press the **Forward-Reverse** switch to the "F" position to drive forward.
- Press the **Forward-Reverse** switch to the "R" position to drive in reverse.

Throttle Control Lever

This lever allows you to control the forward speed and the reverse speed of your scooter up to the maximum speed you preset with the High-Low switch. The throttle control lever is located on the right handgrip. **See Figure 1.**

- Place your right hand on the right handgrip and your left hand on the left handgrip.
- Use your thumb to press the throttle control downward in order to control the speed of movement.
- Release the throttle completely to bring the scooter to a complete stop.

Release the throttle control lever and allow your scooter to come to a complete stop before switching between forward and reverse. When the throttle control lever is completely released, it automatically returns to the "stop" position and engages your scooter's brakes.

Handbrake Lever

This lever provides you with emergency stopping power. When in motion, release the throttle control lever and gently squeeze the handbrake lever to come to a stop. Be advised that using the handbrake lever to stop may cause the scooter to stop abruptly.

NOTE: When the handbrake lever is engaged, your scooter's rear brake lights will activate only when the key is in the key switch and turned to the ON position.



WARNING! The handbrake is intended for use only as an emergency brake and/or parking brake.

Parking Brake

To engage the parking brake, squeeze the handbrake lever, then press the parking brake lever toward the handbrake to latch it in place. Squeeze the handbrake lever to release the parking brake when ready to resume movement.

NOTE: When the parking brake is engaged, your scooter will not operate.

Horn Buttons

These buttons activate a warning horn. Your scooter must be powered up for the horn to be operational. Do not hesitate to use the warning horn when doing so may prevent accident or injury.

NOTE: When the horn button is pressed, the scooter's blinker lights flash once as a hazard.

II. YOUR SCOOTER

Turn Signal Buttons

- Switch the turn signal button in the appropriate direction to activate it. The turn signal lights will flash on your scooter.
- After toggling the turn signal switch, it will return to the center neutral position.
- Press down on the turn signal button in the neutral position to ensure that the turn signal deactivates after 10 to 15 seconds.

NOTE: The turn signals are timed to shut off after 10 to 15 seconds only after the turn signal button has been pressed in the center position. If this button is not pressed, the turn signal will remain on.

Lights Switch

The lights switch offers both a running light and a full light option.

- To activate the scooter's running lights, switch the headlights activation switch to the center position. The tail lights and the low front light will turn on.
- To activate the full lights, switch the headlights activation switch to the far left position. In addition to the low light and tail lights, the headlight will engage.
- To turn the lighting system off, switch the activation switch back to the far right position.

High Beam/Low Beam Switch

When the Lights Switch is in the full light position, your scooter will engage the high beam or the low beam headlight.

- Switch the High Beam/Low Beam Switch up to engage the high beam, or down to engage the low beam.



WARNING! Scooter users are required to use their lights when visibility is restricted—day or night.

LCD SCREEN

The LCD screen offers easily intuited feedback information. See figure 2.

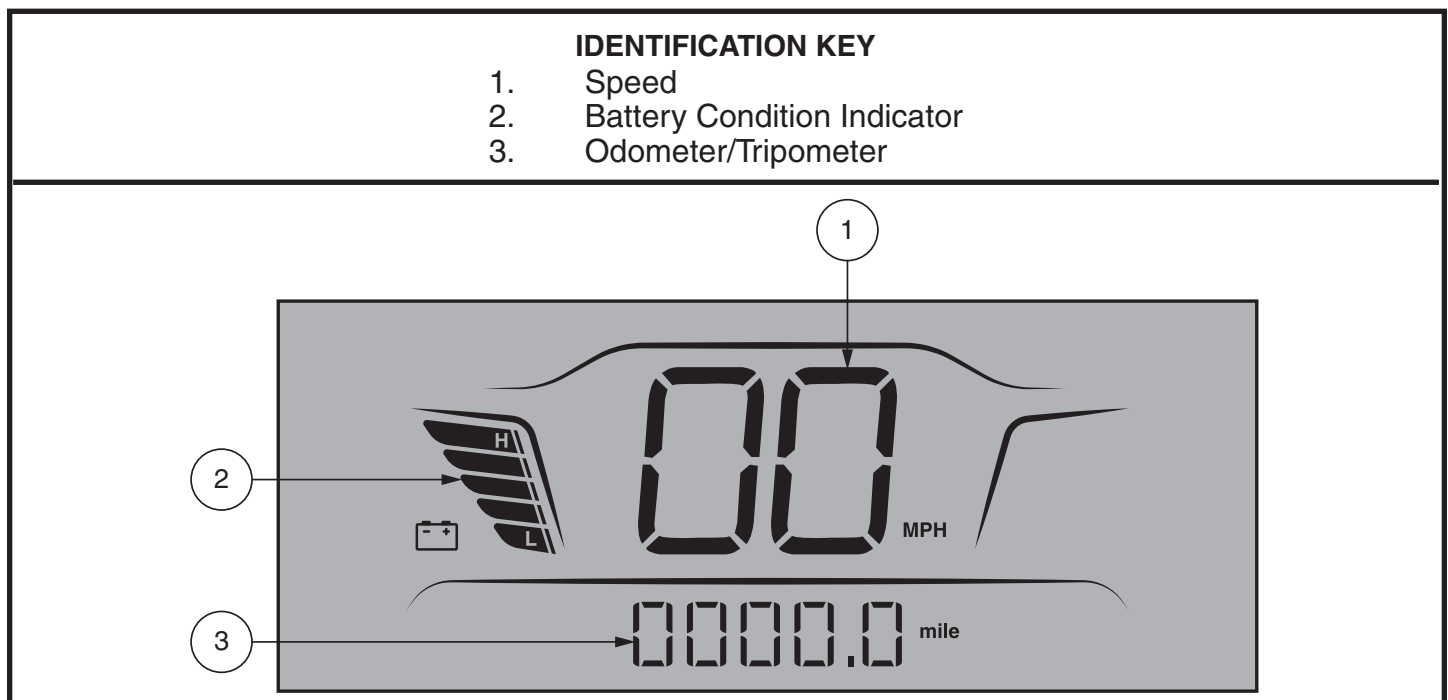


Figure 2. LCD Screen

II. YOUR SCOOTER

Speed Indicator

The LCD Screen displays your current traveling speed. The Hi-Low setting determines the maximum scooter speed. When set to Low, the speed will be half of the maximum speed at the Hi setting.

Battery Condition Indicator

When the key is turned to the “on” position, the LED indicator gives an approximate reading of battery strength.

Odometer/Tripometer

When the key is turned to the “on” position, The LCD Screen will initially display the odometer, or total distance traveled, before resetting to zero and displaying the tripometer.

NOTE: Speed indicator and odometer/tripometer may not reflect actual speed and distance traveled.

Off-board Charger Port

The off-board charger power cord, when plugged into the charger power cord receptacle and a standard electrical outlet, charges the scooter’s batteries. See figure 3. The off-board charger port will be located at the front of the rear shroud, below the seat. See figure 4.

Charger Power Cord Receptacle

The 3-pin end of the charger power cord plugs into the receptacle. There is a protective rubber flap that, when pressed into place, fits over the receptacle to shield it from dirt, debris, moisture, or damage.

Electrical System Fuses

Your scooter is equipped with a series of electrical system fuses, which help protect the off-board charging system, key switch, and lighting system from receiving an overload of electrical current. These fuses are located in a compartment within the rear shroud, below the seat.

NOTE: Keep all electrical areas clean and free of moisture and foreign material.

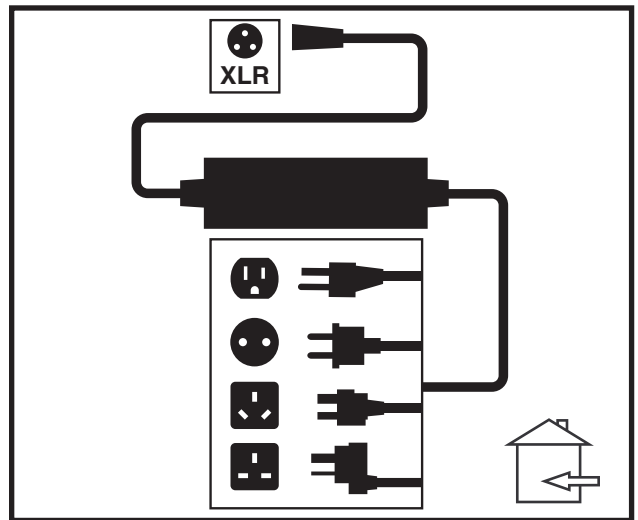


Figure 3. Off-board Battery Charger

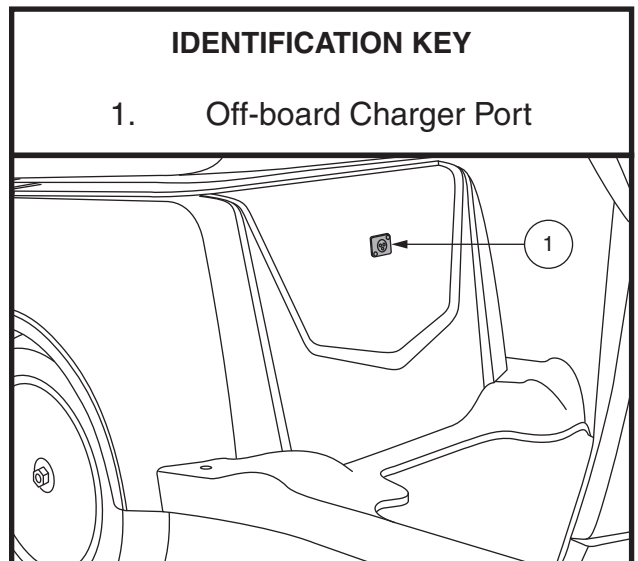


Figure 4. Off-board Charger Port

II. YOUR SCOOTER

Tiller Adjustment

See V. “Comfort Adjustments”.

Key Switch

- Insert the key into the key switch and turn it clockwise to power up (turn on) your scooter.
- Turn the key counterclockwise to power down (turn off) your scooter.



WARNING! If the key is turned to the “off” position while your scooter is in motion, the electronic brakes will engage and your scooter will come to an abrupt stop!

Mirror Positioning and Adjustment

For information on positioning and adjusting your mirror, see V. “Comfort Adjustments.”

REAR COMPONENTS

The manual freewheel lever and motor/transaxle assembly are located on your scooter as shown. **See figure 5.** The main circuit breaker (reset button) and batteries (not shown) are also located in the rear component section of your scooter.



WARNING! Before placing your scooter into or taking it out of freewheel mode, remove the key from the key switch. Never sit on a scooter when it is in freewheel mode. Never put a scooter in freewheel mode on any incline.

Manual Freewheel Lever

Whenever you need or want to push your scooter for short distances, you can put it in freewheel mode.

1. Remove the key from the key switch.
2. Push forward on the manual freewheel lever to disable the drive system and the brake system. This will enable you to push the scooter.
3. Pull back on the manual freewheel lever to reengage the drive and the brake systems, and take your scooter out of freewheel mode.



WARNING! When your scooter is in freewheel mode, the braking system is disengaged.

- Disengage the drive motors only on a level surface.
- Ensure the key is removed from the key switch.
- Stand to the side of the scooter to engage or disengage freewheel mode. Never sit on a scooter to do this.
- After you have finished pushing your scooter, always return it to the drive mode to lock the brakes.

NOTE: If the scooter is placed in freewheel mode (manual freewheel lever forward) while the key is in the “on” position, the scooter will not run until the manual freewheel lever is pushed backward and the key is turned to the “off” position, then back to the “on” position.

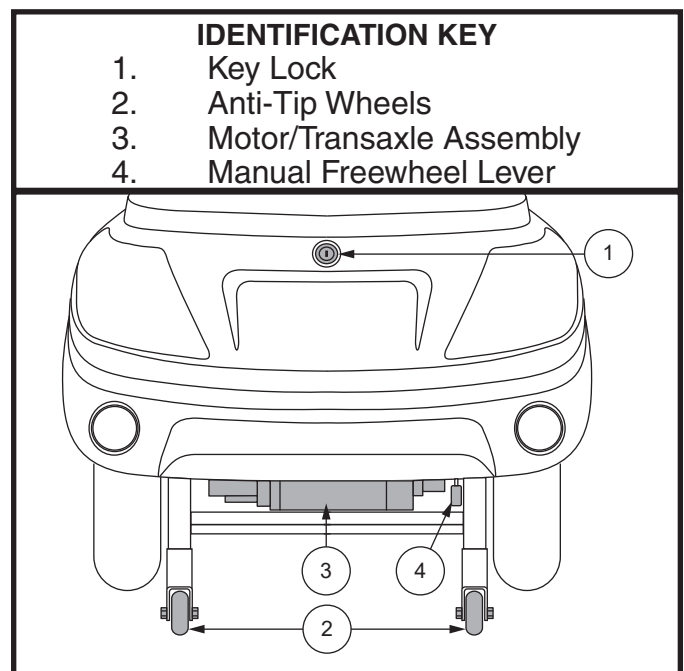


Figure 5. Rear Components

II. YOUR SCOOTER

Motor/Transaxle Assembly

The motor/transaxle assembly is an electromechanical unit that converts electrical energy from your scooter's batteries into the controlled mechanical energy that drives the scooter's wheels.

Anti-Tip Wheels

The anti-tip wheels are an integral and important safety feature of your scooter. They are bolted to the frame at the rear of the scooter.



PROHIBITED! Do not remove anti-tip wheels or modify your scooter in any way that is not authorized by your provider.



WARNING! The anti-tip wheels may cause interference with the smooth transition of your scooter when ascending or descending a curb. Contact your authorized Pride Provider for more information.

Storage Compartments

Your scooter is equipped with two storage compartments. One is located on the tiller beneath the LCD Display, and the other is a storage compartment located in the rear shroud below the seat.

To access the rear storage compartment:

1. Ensure that your scooter is powered down and the key is removed from the key switch before accessing rear storage.
2. Place the key into the key lock and turn it clockwise to unlatch the seat, then flip the seat forward to access the rear storage compartment.
3. Once the seat is flipped forward, engage the seat support rod on the left side to secure the seat in place. **See figure 6.**
4. To close the storage compartment, disengage the seat support rod, and slowly lower the seat back into position. Remove the key from the key lock.

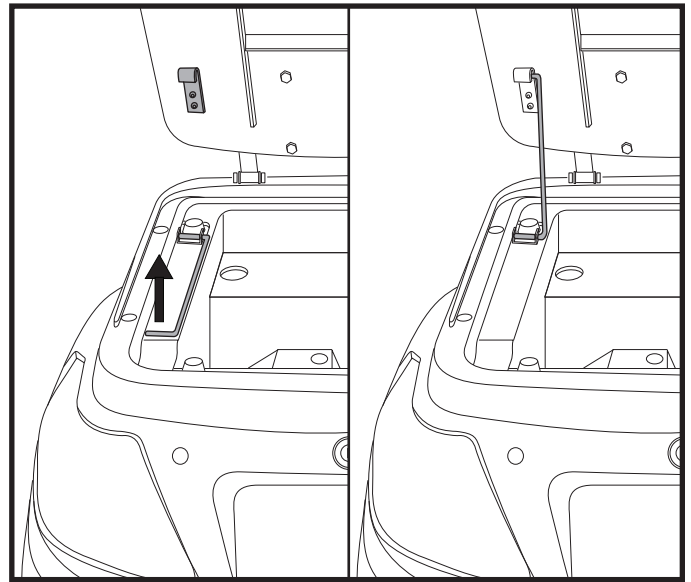


Figure 6. Seat Support Rod

WARNING: Use extreme caution when flipping the seat up. The seat on your scooter is heavy. If you are unable to lift it comfortably, be sure to get help.



WARNING: Always engage the seat support rod when lifting the seat for any reason. Failure to do so could result in personal injury and/or product damage.

WARNING: No personal property, pets, or valuables should be stored in any storage compartment and left unattended.

NOTE: Prior to latching, ensure that the keys are not in the storage compartment.

NOTE: Ensure the seat is properly latched again before operating.

II. YOUR SCOOTER

Batteries

The batteries store electrical energy that powers your scooter. They are located in the rear shroud beneath the scooter's rear storage compartment. See III. "Batteries and Charging" for information on how to charge your scooter batteries.

Main Circuit Breaker

When the voltage in the batteries becomes low or your scooter is heavily strained because of excessive loads, the main circuit breaker may trip to protect the motor and electronics from damage. When the breaker trips, the entire electrical system shuts down. **See figure 7.**

- Reset lever flips down when the breaker trips.
- Allow a minute or so for the electronics to "rest."
- Flip up the seat to access your scooter's rear storage compartment.
- Locate the circuit breaker access point (cut-out) in the upper left corner of the rear storage compartment. **See figure 7.**
- Push the reset lever up until you hear a click, or push in the reset button to reset the breaker.
- If the breaker trips frequently, you may need to charge the batteries more often or have your authorized Pride Provider perform a load test on the batteries.
- If the main circuit breaker trips repeatedly, see your authorized Pride Provider for service.

NOTICE: *If you are preparing the scooter for transport or service, or if there is a situation that requires you to manually shut down the electrical system, press the manual shut-off button on the circuit breaker. This will cut all power to the scooter.*

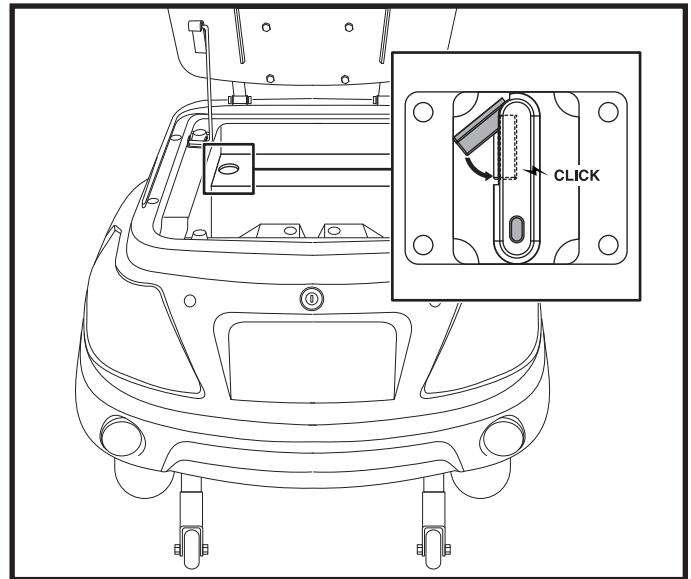


Figure 7. Main Circuit Breaker

III. BATTERIES AND CHARGING

BATTERIES AND CHARGING

Your scooter requires two long-lasting, 12-volt, deep-cycle batteries that are sealed and maintenance-free. They are recharged by an off-board charging system.

- Charge your scooter's batteries for at least 8 to 14 hours prior to using it for the first time.
- Keep the batteries fully charged to keep your scooter running smoothly.

READING YOUR BATTERY VOLTAGE

The battery condition meter on the tiller console indicates the approximate strength of your batteries. **See figure 8.** To ensure the highest accuracy, the battery condition meter should be checked while operating your scooter at full speed on a dry, level surface. Please refer to the "Battery Condition Indicator" section in II. "Your Scooter."

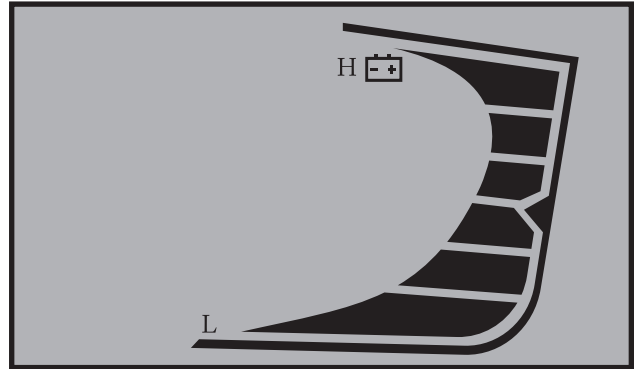


Figure 8. Battery Condition Meter

CHARGING YOUR BATTERIES



PROHIBITED! Removal of grounding prong can create electrical hazard. If necessary, properly install an approved 3-pronged adapter to an electrical outlet having 2-pronged plug access.



PROHIBITED! Never use an extension cord to plug in your battery charger. Plug the charger directly into a properly wired standard electrical outlet.



PROHIBITED! Do not allow unsupervised children to play near the scooter while the batteries are charging. We recommend that you do not charge the batteries while the scooter is occupied.



MANDATORY! Read the battery charging instructions in this manual and in the manual supplied with the battery charger before charging the batteries.



WARNING! Explosive gases may be generated while charging the batteries. Keep the scooter and battery charger away from sources of ignition such as flames or sparks and provide adequate ventilation when charging the batteries.

WARNING! You must recharge your scooter's batteries with the supplied off-board charger. Do not use an automotive-type battery charger.

WARNING! Inspect the battery charger, wiring, and connectors for damage before each use. Contact your authorized Pride Provider if damage is found.



WARNING! Do not attempt to open the battery charger case. If the battery charger does not appear to be working correctly, contact your authorized Pride Provider.

WARNING! If the battery charger is equipped with cooling slots, then do not attempt to insert objects through these slots.

WARNING! Be aware that the battery charger case may become hot during charging. Avoid skin contact and do not place on surfaces that may be affected by heat.



WARNING! If your battery charger has not been tested and approved for outdoor use, then do not expose it to adverse or extreme weather conditions. If the battery charger is exposed to adverse or extreme weather conditions, then it must be allowed to adjust to the difference in environmental conditions before use indoors. Refer to the manual supplied with the battery charger for more information.

III. BATTERIES AND CHARGING

Follow these easy steps to charge the batteries:

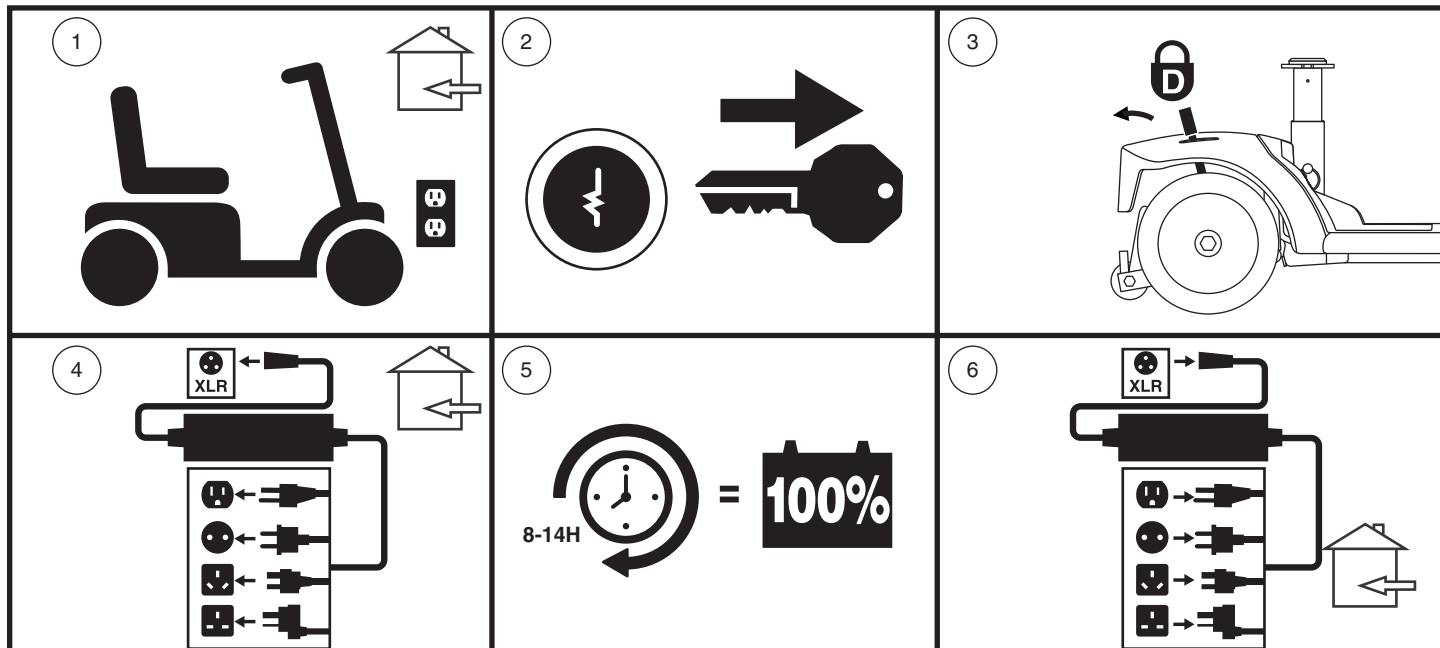


Figure 9. Battery Charging Procedures Diagram



WARNING! The LED lights on the charger indicate different charger conditions at various times. If the LED does not indicate that charging is complete within 24 hours, unplug the charger from the outlet and contact your Provider. Refer to the operating instructions supplied with the charger for a complete explanation of these indicators.

NOTE: There is a charger inhibit function on your scooter. The scooter will not run and the battery condition meter will not operate while the batteries are charging.

FREQUENTLY ASKED QUESTIONS

How does the charger work?

When your scooter's battery voltage is low, the charger works harder, sending more electrical current to the batteries to bring up their charge. As the batteries approach a full charge, the charger sends less and less electrical current. When the batteries are fully charged, the current sent from the charger is at nearly zero amperage. Therefore, when the charger is plugged in, it maintains the charge on your scooter's batteries, but does not overcharge them. Refer to the manual supplied with the battery charger for charging instructions.

Can I use a different charger?

Chargers are selected precisely for particular applications and are especially matched to the type, size, and chemical formulation of specific batteries. For the safest and most efficient charging of your scooter's batteries, we recommend use of the charger supplied as original equipment with your product only. Any charging method resulting in batteries being charged individually is especially prohibited.

What if my scooter's batteries will not charge?

- Ensure the red (+) and black (-) battery cables are connected properly to the battery terminals.
- Ensure both ends of the charger power cord are inserted fully.

III. BATTERIES AND CHARGING

How often must I charge the batteries?

Two major factors must be considered when deciding how often to charge your scooter's batteries:

- All day use on a daily basis.
- Infrequent or sporadic use.

With these considerations in mind, you can determine how often and for how long you should charge your scooter's batteries. The battery charger was designed so that it will not overcharge your scooter's batteries. However, you may encounter some problems if you do not charge your batteries often enough and if you do not charge them on a regular basis. Following the guidelines below will provide safe and reliable battery operation and charging.

- If you use your scooter daily, charge its batteries as soon as you finish using it for the day. Your scooter will be ready each morning. We recommend that you charge your scooter's batteries for at least 8 to 14 hours after daily use. We recommend that you charge the batteries for an additional 4 hours after the battery charger indicates that charging is complete.
- If you use your scooter once a week or less, charge its batteries at least once a week for at least 24 hours.

NOTE: Keep your batteries fully charged and avoid deeply discharging your batteries. Refer to the manual supplied with the battery charger for charging instructions. We recommend charging your batteries for at least 48 continuous hours once per month to improve battery performance and battery life.

How can I ensure maximum battery life?

Fully charged deep-cycle batteries provide reliable performance and extended battery life. Keep your scooter's batteries fully charged whenever possible. Protect your scooter and batteries from extreme heat or cold. Batteries that are regularly and deeply discharged, infrequently charged, stored in extreme temperatures, or stored without a full charge may be permanently damaged, causing unreliable performance and limited service life.

NOTE: To extend battery life, always turn off scooter and remove the key when not in use.

How can I get maximum range or distance per charge?

Rarely will you have ideal driving conditions—smooth, flat, hard driving surfaces with no wind or curves. Often, you will face hills, sidewalk cracks, uneven and loosely packed surfaces, curves, and wind, all of which affect the distance or running time per battery charge. Below are a few suggestions for obtaining the maximum range per battery charge.

- Always fully charge your scooter's batteries prior to daily use.
- Plan your route ahead to avoid as many hills, cracked, broken, or soft surfaces as possible.
- Limit your baggage weight to essential items.
- Try to maintain an even speed while your scooter is in motion.
- Avoid stop-and-go driving.
- We recommend charging your batteries for at least 48 continuous hours once per month to improve battery performance and battery life.
- Make sure all harness connections are secured properly.

III. BATTERIES AND CHARGING

What type and size of battery should I use?

Your scooter requires two deep-cycle batteries. We recommend only sealed, maintenance-free types such as AGM or Gel-Cell. Do not use wet-cell batteries, which have removable caps. Refer to the specifications table for size as batteries differ depending on manufacture.



WARNING! Corrosive chemicals are contained in batteries. Use only AGM or Gel-Cell batteries to reduce the risk of leakage or explosive conditions.

NOTE: Sealed batteries are not serviceable. Do not remove the caps.

Why do my new batteries seem weak?

Deep-cycle batteries employ a different chemical technology than that used in car batteries, nickel-cadmium batteries (nicads), and other common battery types. Deep-cycle batteries are specifically designed to provide power, drain down their charge, and then accept a relatively quick recharge (8 to 14 hours).

We work closely with our battery manufacturer to provide batteries that best suit your scooter's specific electrical demands. Fresh batteries are shipped fully charged to our customers. During shipping, the batteries may encounter temperature extremes that can influence their initial performance. Heat diminishes the charge on the battery; cold slows the available power and extends the time needed to recharge the battery.

It may take a few days for the temperature of your scooter's batteries to stabilize and adjust to their new room or ambient temperature. More importantly, it takes a few charging cycles (partial draining followed by full recharging) to establish the critical chemical balance that is essential to a deep-cycle battery's peak performance and long life.

Follow these steps to properly break in your scooter's new batteries for maximum efficiency and service life:

1. Fully recharge any new battery prior to its initial use. This charging cycle brings the battery up to about 88% of its peak performance level.
2. Operate your new scooter in familiar and safe areas. Drive slowly at first, and do not travel too far from your home or familiar surroundings until you have become accustomed to your scooter's controls and have properly broken in your scooter's batteries.
3. Fully recharge the batteries. They should be at over 90% of their peak performance level.
4. Operate your scooter again, then fully recharge the batteries.
5. After four or five charging cycles, the batteries are able to receive a charge of 100% of their peak performance level and are able to last for an extended period of time.

What about public transportation?

AGM and Gel-Cell batteries are designed for application in scooters and other mobility vehicles. These batteries are Federal Aviation Administration (FAA) approved (United States only), allowing safe transportation on aircraft, buses, and trains, as there is no danger of spillage or leakage. We suggest you contact the carrier's ticket counter in advance to determine that carrier's specific requirements.

III. BATTERIES AND CHARGING

How do I change a battery in my scooter?



MANDATORY! Battery posts, terminals, and related accessories contain lead and lead compounds. Wear goggles and gloves when handling batteries and wash hands after handling.



PROHIBITED! Always use two batteries of the exact same type, chemistry, and amp-hour (Ah) capacity. Refer to the product specifications insert and in the manual supplied with the battery charger for recommended type and capacities.

WARNING! Do not mix old and new batteries. Always replace both batteries at the same time.



WARNING! Contact your Provider if you have any questions regarding the batteries in your scooter.

WARNING! Do not replace the batteries while the scooter is occupied.

WARNING! The batteries on your scooter should only be serviced or replaced by an authorized Pride Provider or a qualified technician.



PROHIBITED! Keep tools and other metal objects away from battery terminals. Contact with tools can cause electrical shock.

You may need the following to change your batteries:

- Metric/standard socket set and ratchet
- Adjustable wrench



WARNING! Do not lift beyond your physical capability. Ask for assistance when necessary while disassembling or assembling your scooter.

WARNING! Do not pull on electrical harness wires directly to detach them from the scooter. Always grasp the connector itself when disconnecting the harness to prevent wire damage.

To change batteries in your scooter:

1. Flip the seat up to access the rear storage compartment. See II. "Your Scooter."
2. Remove the two bolts from the storage bin. Lift the storage bin out of the rear storage compartment. **See figure 10.**
3. Disconnect the battery harness and tie-down strap.
4. Disconnect the black (-) and red (+) battery cables from the battery terminals of each battery.
5. Remove the old batteries.
6. Place the new batteries into the battery wells, beginning with the left battery. Insert the left battery on the right side, and slide it into the left position. Then, insert the right battery. **See figure 10.**
7. Connect the red battery cable to the positive (+) battery terminal of each battery.
8. Connect the black battery cable to the negative (-) battery terminal of each battery.
9. Connect the battery harnesses and battery tie-down strap.
10. Reposition the terminal boots over the battery terminals.

III. BATTERIES AND CHARGING

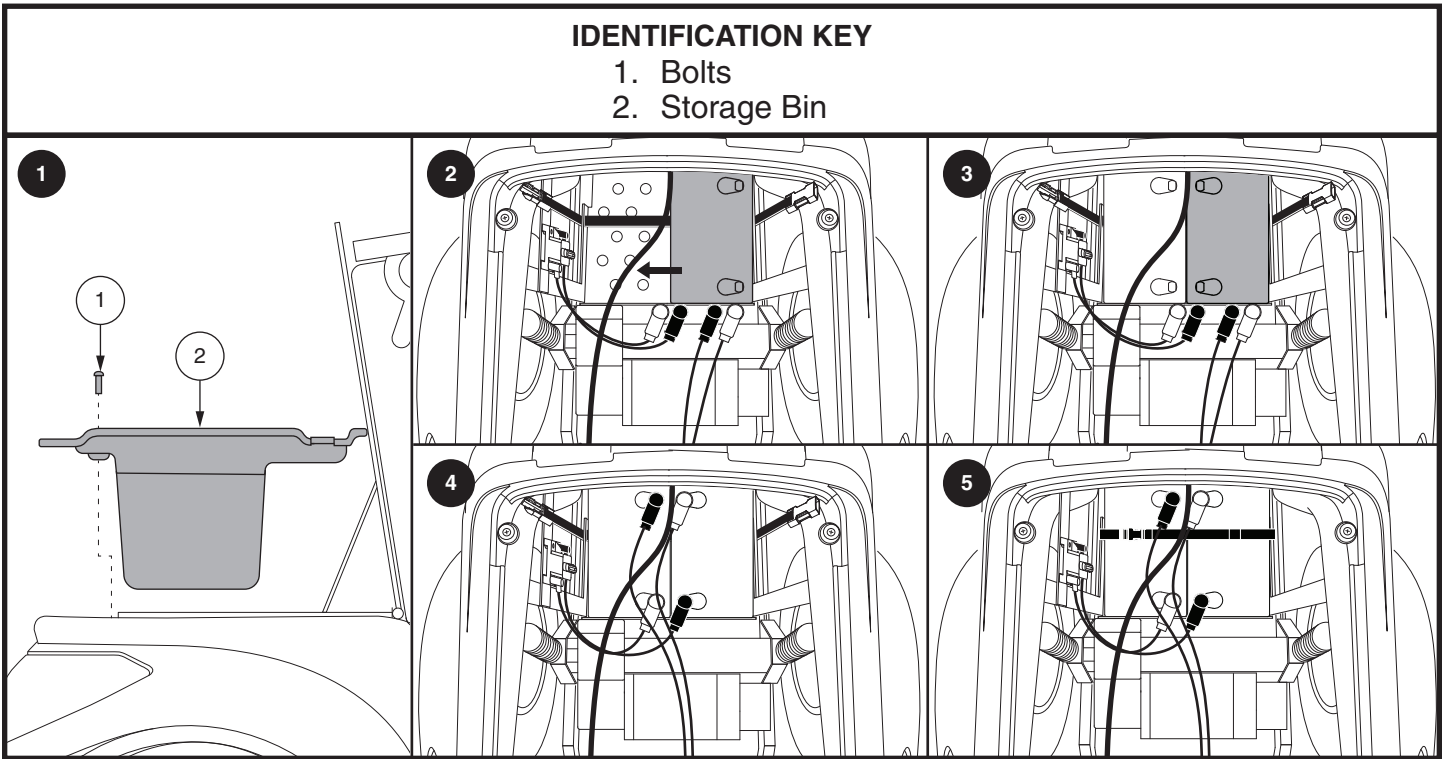


Figure 10. Battery Changing

NOTE: If you encounter a damaged or cracked battery, immediately enclose it in a plastic bag. Contact your local waste disposal agency or your authorized Pride Provider for instructions on disposal and battery recycling, which is our recommended course of action.

NOTE: For long term storage, it is recommended that you disconnect the battery set in order to prevent battery power drainage.

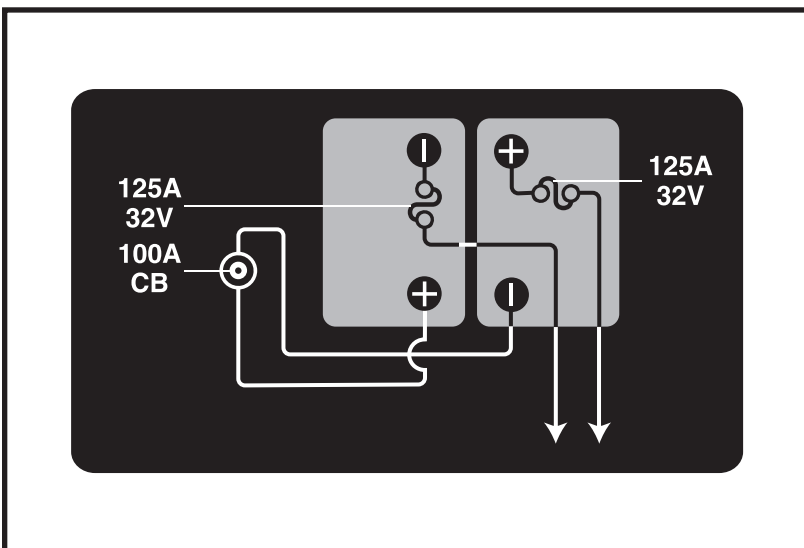


Figure 11. Battery Configuration

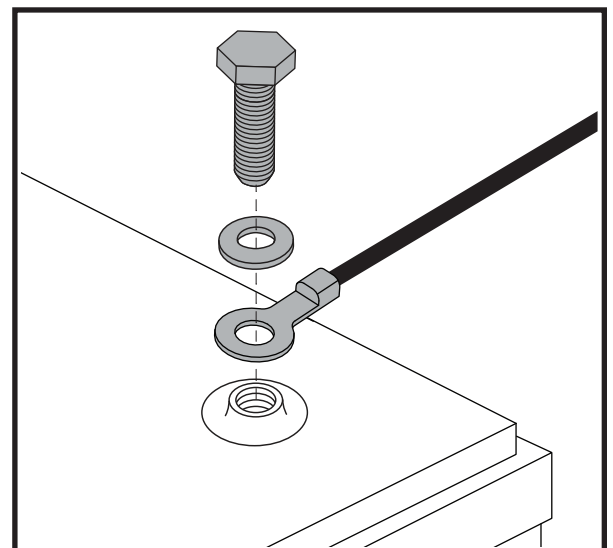


Figure 12. Battery Terminal Hardware

IV. OPERATION

BEFORE GETTING ONTO YOUR SCOOTER

- Have you fully charged the batteries? See III. “Batteries and Charging.”
- Is the manual freewheel lever in the drive (rearward) position? Never leave the manual freewheel lever pushed forward unless you are manually pushing your scooter.

GETTING ONTO YOUR SCOOTER

1. Make certain that the key is removed from the key switch.



WARNING! Never attempt to get onto or off of your scooter without first removing the key from the key switch. This will prevent the scooter from moving if accidental throttle control lever contact is made.

2. Stand at the side of your scooter.
3. Position yourself comfortably and securely in the seat.
4. Make certain that the seat is secured into position.
5. Make certain that your feet are safely on the floorboard.

NOTE: Prior to operating your scooter for the first time, reset the circuit breaker by pushing the circuit breaker switch down.

PRE-RIDE ADJUSTMENTS AND CHECKS

- Is the seat at the proper recline angle? See V. “Comfort Adjustments.”
- Is the seat secured into place?
- Is the tiller at a comfortable setting and secured into place? See V. “Comfort Adjustments.”
- Is the key fully inserted into the key switch and turned clockwise to the “on” position?
- Does the scooter’s horn work properly?
- Is your proposed path clear of people, pets, and obstacles?
- Have you planned your route to avoid adverse terrain and as many inclines as possible?

OPERATING YOUR SCOOTER

WARNING! The following can adversely affect steering and stability while operating your scooter:

- Holding onto or attaching a leash to walk your pet.
- Carrying passengers (including pets).
- Hanging any article from the tiller.
- Towing or being pushed by another motorized vehicle.



WARNING! Tipping Risk! Avoid abrupt maneuvers at excessive speed. It is recommended that you set the speed adjustment dial to the lowest setting until you become familiar with scooter controls and operation.

WARNING! Scooter braking distances are greater on an incline than on the horizontal.

WARNING! Keep both hands on the tiller and your feet on the floorboard at all times while operating your scooter. This driving position gives you the most control over your vehicle.

- Set the speed adjustment switch to your desired speed.
- Use your thumb to press the throttle control downward.
- The electromechanical disc park brake automatically disengages and the scooter accelerates smoothly to the speed you preselected.
- Pull on the left handgrip to steer your scooter to the left.
- Pull on the right handgrip to steer your scooter to the right.
- Move the tiller to the center position to drive straight ahead.
- To stop, slowly release the throttle control lever. The electronic brakes will automatically engage when your scooter comes to a stop.

IV. OPERATION

NOTE: *Your scooter's reverse speed is slower than that of the forward speed you preset with the speed adjustment switch or on the LCD control panel.*

GETTING OFF OF YOUR SCOOTER

1. Bring your scooter to a complete stop.
2. Remove the key from the key switch.



WARNING! Never attempt to get onto or off of your scooter without first removing the key from the key switch. This will prevent the scooter from moving if accidental throttle control lever contact is made.

3. Carefully and safely get out of the seat and stand to the side of your scooter.

POWER DOWN TIMER FEATURE

Your scooter is equipped with an energy saving automatic power down timer feature designed to preserve your scooter's battery life. If you mistakenly leave the key in the key switch and in the "on" position but do not use your scooter for approximately 20 minutes, the scooter's controller shuts down automatically. Although the controller is shut down, power will still be supplied to the scooter's lighting system.

If the power down timer feature takes effect, perform the following steps to resume normal operation:

1. Remove the key from the key switch.
2. Reinsert the key and power up your scooter.

V. COMFORT ADJUSTMENTS

Manual Recline Seatback Adjustment

If your scooter is equipped with a manual recline seatback, you can adjust the seatback angle up to 100° using the seatback release lever. **See figure 13.**

To adjust the recline angle using the seatback release lever:

1. Pull up on the seatback release lever.
2. Lean forward or backward to the desired position.
3. Release the lever.

Armrest Width Adjustment

You can change each armrest's width independently of the other.

NOTE: Changing the armrest width may increase the overall width of your scooter.

To change the armrest width:

1. Locate the armrest width adjustment knob on each side of the armrest receiver bracket. **See figure 13.**
2. Loosen the knob.
3. Slide the armrests in or out to the desired width.
4. Tighten the knob.

Armrest Angle Adjustment

To change the armrest angle:

1. Lift the armrest straight up so that it is perpendicular to the floor.
2. Loosen the jam nut.
3. Turn the adjustment screw to raise or lower the front of the armrest.
4. Tighten the jam nut to lock the adjustment screw into place.

Armrest Height Adjustment

To change the armrest height:

1. Loosen the setscrew on the armrest. **See figure 13.**
2. Raise or lower the armrest to the desired height.
3. Tighten the setscrew to secure the armrest.

NOTE: If the seat position on top of the rear shroud needs to be adjusted forward or rearward, contact your authorized Pride Provider.

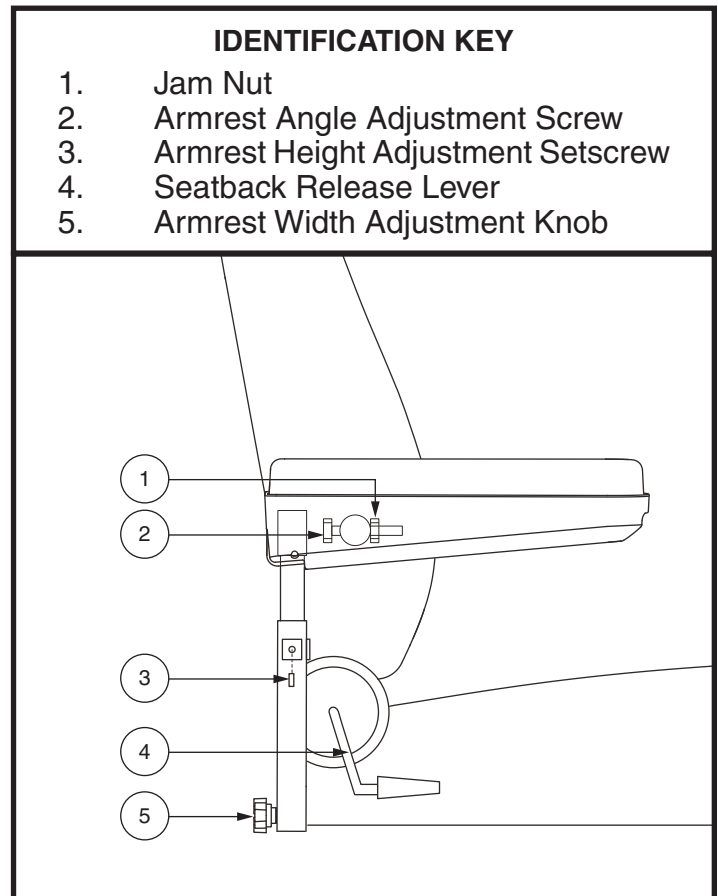


Figure 13. Seatback/Armrest Adjustment

V. COMFORT ADJUSTMENTS

TILLER HEIGHT ADJUSTMENT

The height of the tiller console can be adjusted up or down to a comfortable driving level.

To adjust the tiller height:

1. Remove the two screws located on the tiller. **See figure 14.**
2. Remove the front shroud. Raise the rubber boot and locate the adjustment bolt. **See figure 14.**
3. Remove the adjustment bolt and move the tiller up or down to a comfortable position.
4. Once the tiller is adjusted to the desired height, reinstall the adjustment bolt.
5. Reinstall the front shroud.
6. Reinstall the two screws located on the tiller.

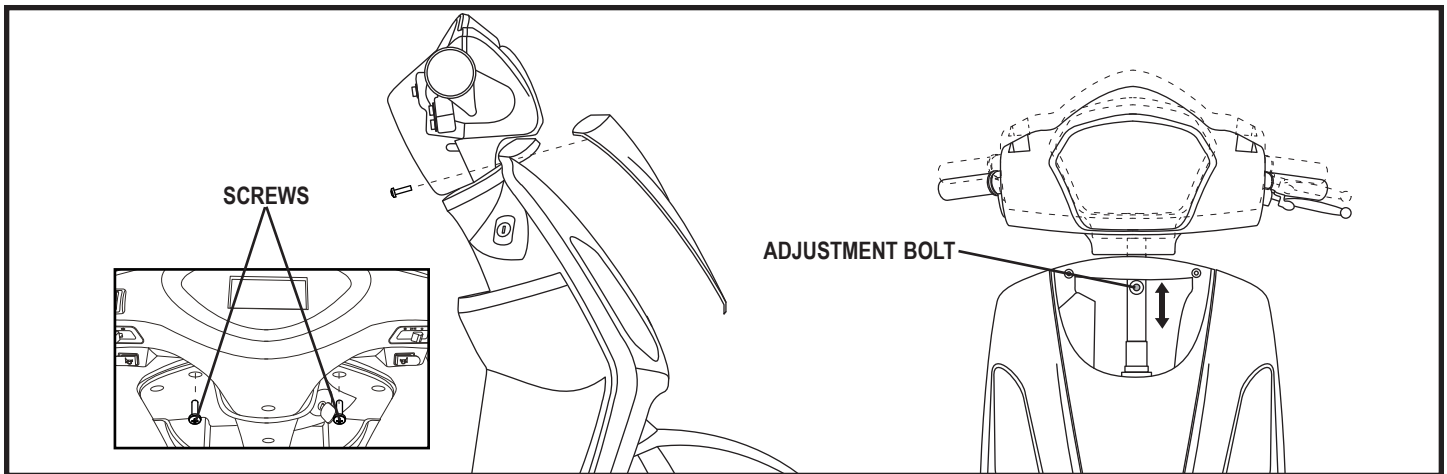


Figure 14. Tiller Height Adjustment

MIRROR POSITION

To install the mirror:

1. Insert the threaded end of the mirror holder into the opening and rotate it clockwise until snug. **See figure 14.**
2. If necessary, rotate the nut clockwise to secure the mirror in place.

To adjust the mirror:

1. Position yourself in a seated driving position facing forward.
2. Adjust the mirror left, right, up, or down until you have a good line of sight behind you. **See figure 15.**

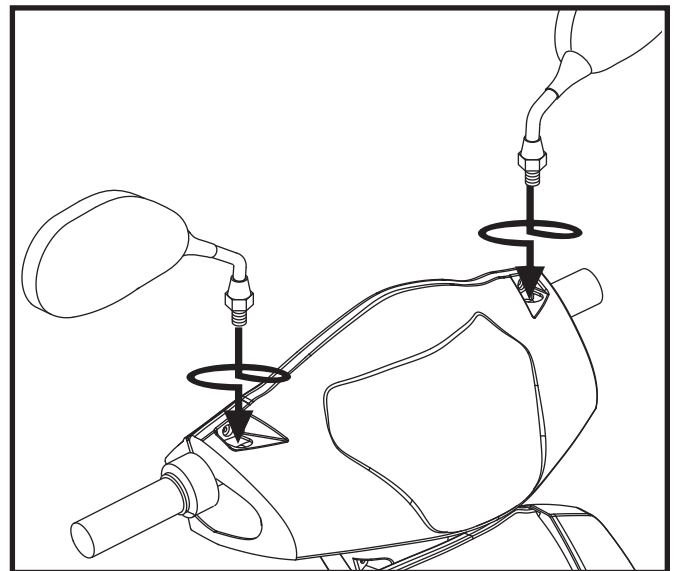


Figure 15. Mirror Position Installation/Adjustment

VII. BASIC TROUBLESHOOTING

Any electromechanical device occasionally requires some troubleshooting. However, most of the problems that may arise can usually be solved with a bit of thought and common sense. Many of these problems occur because the batteries are not fully charged or because the batteries are worn down and can no longer hold a charge.

DIAGNOSTIC FAULT CODES

The diagnostic fault codes for your scooter are designed to help you perform basic troubleshooting quickly and easily. A diagnostic flash code will flash from the status LED in the event one of the conditions listed below develops.

NOTE: Your scooter will not run unless the fault code condition is resolved and the scooter has been turned off, then turned back on.

FAULT CODE	CONDITION	SOLUTION
■ (1)	Battery charge is low.	Charge batteries as soon as possible.
■ ■ (2)	Battery charge is too low.	Charge batteries.
■ ■ ■ (3)	The scooter's battery voltage is too high to operate the scooter, or the charger is still connected to the off-board charger port.	Unplug charger and/or turn key off, then back on again.
■ ■ ■ ■ (4)	Current limit time out.	Turn the scooter off for a few minutes, then turn your scooter back on.
■ ■ ■ ■ ■ (5)	The manual freewheel lever is in the (forward) freewheel position.	Remove the key from the key switch, then push the manual freewheel lever to the drive (backward) position, and restart your scooter.
■ ■ ■ ■ ■ ■ (6)	Throttle control lever not at center position at start up.	Return the throttle control lever to center position, turn scooter off then back on.
■ ■ ■ ■ ■ ■ ■ (7)	Speed pot error.	Contact your authorized Pride Provider for assistance.
■ ■ ■ ■ ■ ■ ■ ■ (8)	Motor volts error.	Contact your authorized Pride Provider for assistance.
■ ■ ■ ■ ■ ■ ■ ■ ■ (9)	Other internal errors.	Contact your authorized Pride Provider for assistance.

VII. BASIC TROUBLESHOOTING

What if all the systems on my scooter seem to be dead?

- Make certain that the key is in the “on” position.
- Check that the batteries are fully charged.
- Push in the main circuit breaker reset button. See II. “Your Scooter.”
- Make certain that both battery harnesses and the front-to-rear harness are firmly connected.
- Be sure the power down timer feature has not been activated. See IV. “Operation.”

What if my scooter does not move when I engage the throttle control lever?

- When the manual freewheel lever is pushed forward, the brakes are disengaged and all power to the motor/transaxle assembly is cut.
- Push backward on the manual freewheel lever, turn the scooter off, then turn the scooter on to return to normal scooter operation.

What if the main circuit breaker repeatedly trips?

- If the main circuit breaker trips repeatedly, see your authorized Pride Provider for service.
- Charge the batteries more frequently. See IV. “Batteries and Charging.”
- If the problem continues, have both of your scooter’s batteries load tested by your authorized Pride Provider.
- You may also perform the load test yourself. Battery load testers are available at most automotive parts stores. Follow the directions supplied with the load tester.
- See IV. “Batteries and Charging” or “Product Specifications Sheet” for information about your scooter’s battery type.

What if the battery condition meter dips way down and the motor surges or hesitates when I engage the throttle control lever?

- Fully charge your scooter’s batteries. See IV. “Batteries and Charging.”
- Have your authorized Pride Provider load test each battery.
- See the previous troubleshooting question for load testing the batteries yourself.

If you experience any problems with your scooter that you are not able to solve, immediately contact your authorized Pride Provider for information, maintenance, and service.

VIII. CARE AND MAINTENANCE

Your scooter requires a minimal amount of care and maintenance. If you do not feel confident in your ability to perform the maintenance listed below, you may schedule inspection and maintenance at your authorized Pride Provider. The following areas require periodic inspection and/or care and maintenance.

TIRE PRESSURE

- If equipped with pneumatic tires, always maintain the psi/bar/kPa air pressure rating indicated on each tire.



WARNING! It is important that the psi/bar/kPa air pressure rating indicated on each tire be maintained in pneumatic tires at all times. Do not underinflate or overinflate your tires. Low pressure may result in loss of control, and overinflated tires may burst. Failure to maintain the psi/bar/kPa air pressure rating indicated on the tires at all times may result in tire and/or wheel failure.

- Regularly inspect your scooter's tires for signs of wear.

WHEEL REPLACEMENT

Contact your authorized Pride Provider for replacement tires.

EXTERIOR SURFACES

Bumpers, tires, and trim can benefit from an occasional application of a rubber or vinyl conditioner.



WARNING! Do not use a rubber or vinyl conditioner on the scooter's vinyl seat or tire tread, as this may cause them to become dangerously slippery.

CLEANING AND DISINFECTION

- Use a damp cloth and mild, non-abrasive cleanser to clean the plastic and metal parts of your scooter. Avoid using products that may scratch the surface of your scooter.
- If necessary, clean your product with an approved disinfectant. Make sure the disinfectant is safe for use on your product before application.



WARNING! Follow all safety instructions for the proper use of the disinfectant and/or cleaning agent before applying it to your product. Failure to comply may result in skin irritation or premature deterioration of upholstery and/or scooter finishes.

BATTERY TERMINAL CONNECTIONS

- Make certain that the terminal connections remain tight and uncorroded.
- The batteries must sit flat in the battery wells.
- The battery terminals should face away from the seat post.

WIRING HARNESSSES

- Regularly check all wiring connections.
- Regularly check all wiring insulation, including the charger power cord, for wear or damage.
- Have your authorized Pride Provider repair or replace any damaged connector, connection, or insulation that you find before using your scooter again.



PROHIBITED! Even though the scooter has passed the necessary testing requirements for ingress of liquids, you should keep electrical connections away from sources of dampness, including direct exposure to water or bodily fluids and incontinence. Check electrical components frequently for signs of corrosion and replace as necessary.



WARNING! Do not pull on electrical harnesses directly to detach them from the scooter. Always grasp the connector itself when disconnecting the harness to prevent wire damage.

VIII. CARE AND MAINTENANCE

ABS PLASTIC SHROUDS

- If your scooter has a body shroud with a **glossy finish**, the body shroud has been sprayed with a clear sealant coating. You can apply a light coat of car wax to help it retain its high-gloss appearance. If your scooter has a body shroud with a **matte finish**, use **ONLY** products developed for matte-finish paint. Do not use wax, detail spray, ArmorAll®, or any product made for glossy paint.



WARNING! Carefully choose the correct product to protect the finish of your scooter's shroud(s). **ONLY** products developed for matte-finish paint should be used on shrouds with a matte finish. Failure to follow this warning may result in damage to the shroud's matte paint finish.

AXLE BEARINGS AND THE MOTOR/TRANSAXLE ASSEMBLY

These items are all prelubricated, sealed, and require no subsequent lubrication.

MOTOR BRUSHES

The motor brushes are housed inside of the motor transaxle/assembly. They should be inspected periodically for wear by your authorized Pride Provider.

CONSOLE, CHARGER, AND REAR ELECTRONICS

- Keep these areas free of moisture.
- Allow these areas to dry thoroughly if they have been exposed to moisture before operating your scooter again.

BRAKE PADS

The brake pads on your scooter should be inspected periodically for wear. Once the pads reach 1/16-th of an inch or 2 mm in thickness, they should be replaced. If any of the brake pads needs to be replaced, then it is best to replace all the brake pads at the same time. Contact your authorized Pride Provider for more information on replacing the brake pads.

FUSE REPLACEMENT

In the event a fuse should cease to work:

1. Remove the fuse by pulling it out of its slot.
2. Examine the fuse to be sure it is blown. **See figure 16.**
3. Insert a new fuse of the same rating.



WARNING! The replacement fuse must exactly match the rating of the fuse being replaced. Failure to use properly rated fuses may cause damage to the electrical system.

NYLON LOCK NUT REPLACEMENT

Any nylon insert lock nut removed during the periodic maintenance, assembly, or disassembly of the scooter must be replaced with a new nut. Nylon insert lock nuts should not be reused as it may cause damage to the nylon insert, resulting in a less secure fit. Replacement nylon insert lock nuts are available at local hardware stores or through your authorized Pride Provider.

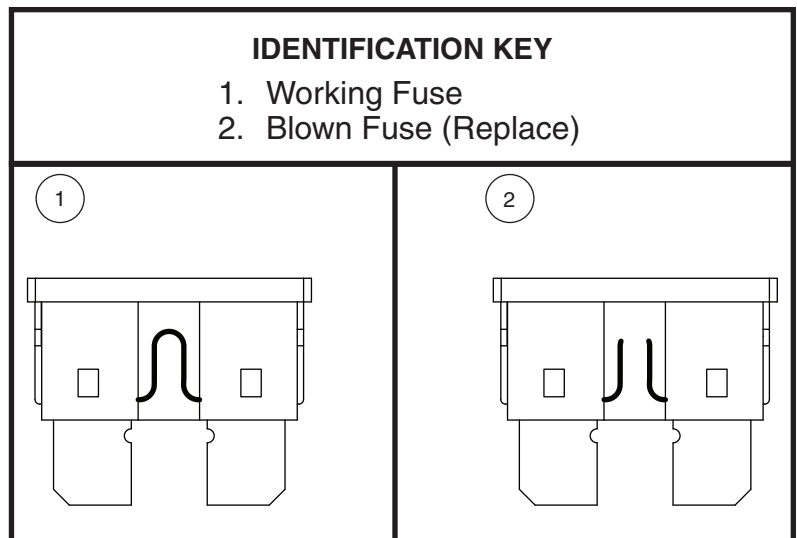


Figure 16. Fuse Replacement

VIII. CARE AND MAINTENANCE

STORING YOUR SCOOTER

If you plan on not using your scooter for an extended period of time, it is best to:

- Fully charge its batteries prior to storage.
- Disconnect the batteries from the scooter.
- Store your scooter in a warm, dry environment.
- Avoid storing your scooter where it will be exposed to temperature extremes.
- Recommended storage temperature: -40°F/-40°C to 149°F/65°C.



WARNING! Always protect batteries from freezing temperatures and never charge a frozen battery. Charging a frozen battery can result in damage to the battery.

Batteries that are regularly and deeply discharged, infrequently charged, stored in extreme temperatures, or stored without a full charge may be permanently damaged, causing unreliable performance and limited service life. It is recommended that you charge the scooter batteries periodically throughout periods of prolonged storage to ensure proper performance.

You may wish to place several boards under the frame of your scooter to raise it off of the ground during periods of prolonged storage. This takes the weight off the tires and reduces the possibility of flat spots developing on the areas of the tires contacting the ground.

DISPOSAL OF YOUR SCOOTER

Your scooter must be disposed of according to applicable local and national statutory regulations. Contact your local waste disposal agency or authorized Pride Provider for information on proper disposal of packaging, metal frame components, plastic components, electronics, batteries, neoprene, silicone, and polyurethane materials.

NOTES

NOTES

Please fill out the following information for quick reference:

Provider: _____
Address: _____
Telephone: _____
Purchase Date: _____

Serial #



UDI Label (if applicable)
