

## FLAG KIT INSTALLATION INSTRUCTIONS FOR THE GO-GO ULTRA ACCASMB2079

### Kit Contents:

REF#	QTY	PART #	DESCRIPTION
A1	1	HDWINDV1064	ALLEN KEY, 2MM
A2	1	ACCFLAG1000	FLAG, ORANGE
A3	1	DWR1234L135	DECAL, ICON, DO NOT ADJUST ANTI-TIP, 0.75" DIAMETER, L-1234-135

If you require any assistance with these instructions, please call **Pride Technical Service** at **1-877-800-1248**. **Canada providers**, phone **1-888-570-1113**.

**Tools Needed:** • Allen key (A1)

### Installation instructions:

**NOTE:** *The flag can be installed on the left or right side of the scooter.*

1. Make sure the scooter is turned off and the freewheel lever is engaged.
2. Remove the plug from flag holder hole. See figure 1.
3. Peel off the anti-tip wheel decal to expose the setscrew. See figure 1.
4. Remove the setscrew with the supplied Allen key (A1).
5. Insert the flag pole (A2) into the top hole.
6. Reinsert the setscrew and tighten to secure the flag in place.
7. Install the new anti-tip wheel decal (A3) over the setscrew hole.

**NOTE:** *The anti-tip wheel decal provides important safety information and must be attached.*

Installation is now complete.

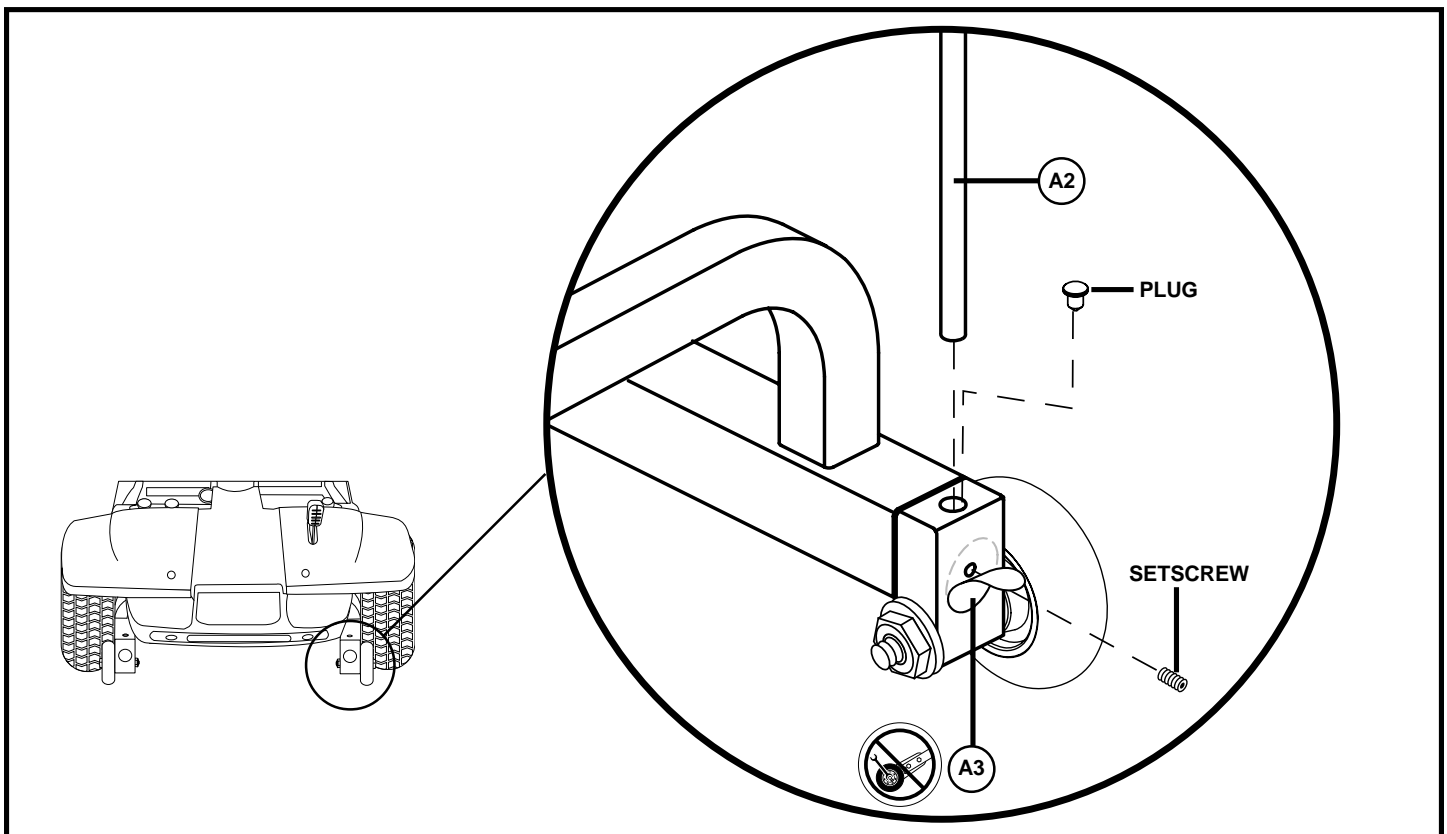


Figure 1.