



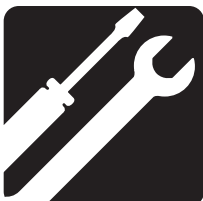
ASSEMBLY



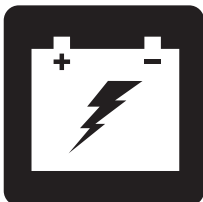
OPERATION



COMFORT



MAINTENANCE



BATTERY  
CHARGING




# TRAVEL SCOOTER SERIES

OWNER'S MANUAL

---

# TRAVEL SCOOTER FEATURES TABLE

Model	Console Style							Battery Pack Style					Battery Charging		Frame Lock-up Style			Options *		
	A	B	C	D	E	F	G	A	B	C	D	E	On Unit	Off Unit	A (Release Lever)	B (Lock-up Pin)	Suspension Seat Post	Lights	Changeable Color Panels	
																				
AAP4							•	•					•							
29	•								•				•							
36	•								•				•							
336	•								•				•							
39		•						•					•							
40		•						•					•							•
44							•	•					•							•
40X	•							•					•							
44X	•							•					•							
40E							•	•					•							•
44E							•	•					•							•
40LX				•				•					•				•			•
44LX				•				•					•				•			•
49		•						•					•							
50LX				•				•				•								•
54LX				•				•				•								•
50LXLIT				•				•				•								•
54LXLIT				•				•				•								•
53				•				•				•								•
53HD				•				•				•								•
54				•				•				•								•
54HD				•				•				•								•
66						•		•				•								•
67						•		•				•								•
73				•				•				•					•			•
74				•				•				•					•			•
83								•			•						•			•
84								•			•						•			•
Jazzy ZTS					•			•				•					•			•

\*NOTE: Travel Scooter options vary by country. Please contact your Provider to determine which options are available for your Travel Scooter.

# SAFETY GUIDELINES



**WARNING!** An authorized Provider or qualified technician must perform the initial setup of this scooter and must perform all of the procedures in this manual.

The symbols below are used throughout this owner's manual and on the scooter to identify warnings and important information. It is very important for you to read them and understand them completely.



**WARNING!** Indicates a potentially hazardous condition/situation. Failure to follow designated procedures can cause either personal injury, component damage, or malfunction. On the product, this icon is represented as a black symbol on a yellow triangle with a black border.



**MANDATORY!** These actions should be performed as specified. Failure to perform mandatory actions can cause personal injury and/or equipment damage. On the product, this icon is represented as a white symbol on a blue dot with a white border.



**PROHIBITED!** These actions are prohibited. These actions should not be performed at any time or in any circumstances. Performing a prohibited action can cause personal injury and/or equipment damage. On the product, this icon is represented as a black symbol with a red circle and red slash.

**NOTE:** Please become familiar with your Travel Scooter's model number. The number can be found on the product specification sheet in your owner's package. Throughout this owner's manual, Travel Scooter attributes are identified by model number (far left-hand column on Travel Scooter Features Table). Knowing your unit's model number will aid you in determining your particular Travel Scooter's unique characteristics.

## INTENDED USE

The intended use of this Pride Mobility Products device is to provide mobility assistance to persons with mobility impairment who have the capacity to operate a motorized mobility scooter.

## REGARDING DEVICES FOR PRESCRIPTION USE

Our mobility products and their components are available for sale either as retail ("over-the-counter") or with a prescription. When prescribed, the following statement is applicable.



**CAUTION!** Federal law restricts this device to sale by or on the order of a physician or other certified personnel licensed by the law of the State (US only) or region in which this personnel practices to use or order the use of the device.

**NOTE:** This owner's manual is compiled from the latest specifications and product information available at the time of publication. We reserve the right to make changes as they become necessary. Any changes to our products may cause slight variations between the illustrations and explanations in this manual and the product you have purchased. The latest/current version of this manual is available on our website.

**NOTE:** This product is compliant with WEEE, RoHS, and REACH directives and requirements.

**NOTE:** This product meets IPX4 classification (IEC 60529).

**NOTE:** The Travel Scooter and its components are not made with natural rubber latex. Consult with the manufacturer regarding any after-market accessories.

# CONTENTS

<b>SAFETY GUIDELINES</b>	<b>3</b>
<b>I. SAFETY</b>	<b>5</b>
<b>II. YOUR TRAVEL SCOOTER</b>	<b>7</b>
<b>III. BATTERIES AND CHARGING</b>	<b>18</b>
<b>IV. OPERATION</b>	<b>25</b>
<b>V. COMFORT ADJUSTMENTS</b>	<b>27</b>
<b>VI. DISASSEMBLY AND ASSEMBLY</b>	<b>31</b>
<b>VII. BASIC TROUBLESHOOTING</b>	<b>33</b>
<b>VIII. CARE AND MAINTENANCE</b>	<b>35</b>

# I. SAFETY

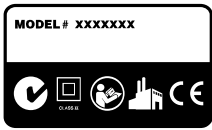
## PRODUCT SAFETY SYMBOLS

The symbols below are used on the Travel Scooter to identify warnings, mandatory actions, and prohibited actions. It is very important for you to read and understand them completely.

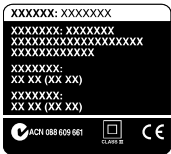
*NOTE: There are more warnings identified and explained in the Consumer Safety Guide that is included with your Travel Scooter. Please become familiar with all the warnings and safety information found in the Consumer Safety Guide and refer to this resource often.*



**Read and follow the information in the owner's manual.**



**Scooter information label**



**Fully charge batteries before operating.**

**Remove key from an unattended Travel Scooter.**



**Indicates UNOCCUPIED Travel Scooter securement points.**



**Does not meet ISO 7176-19 standards for occupied transport in a motor vehicle. When travelling in a motor vehicle, do not sit in your Travel Scooter.**



**Manufactured in**

# I. SAFETY

## GENERAL



**MANDATORY! Do not operate your new Travel Scooter for the first time without completely reading and understanding this owner's manual and the Consumer Safety Guide.**

Your Travel Scooter is a state-of-the-art life-enhancement device designed to increase mobility. We provide an extensive variety of products to best fit the individual needs of the Travel Scooter user. Please be aware that the final selection and purchasing decision regarding the type of Travel Scooter to be used is the responsibility of the Travel Scooter user who is capable of making such a decision and his/her healthcare professional (i.e., medical doctor, physical therapist, etc.).

The contents of this manual are based on the expectation that a mobility device expert has properly fitted the Travel Scooter to the user and has assisted the prescribing healthcare professional and/or the authorized Provider in the instruction process for the use of the product.

There are certain situations, including some medical conditions, where the Travel Scooter user will need to practice operating the Travel Scooter in the presence of a trained attendant. A trained attendant can be defined as a family member or care professional specially trained in assisting a Travel Scooter user in various daily living activities.

As you begin using your Travel Scooter during daily activities, you will probably encounter situations in which you will need some practice. Simply take your time and you will soon be in full and confident control as you maneuver through doorways, on and off elevators, up and down ramps, and over moderate terrain.

Additional general information can be found on the supplemental information sheets and booklets included in your Owner's Package. Please fully read and review the information, and keep it readily available for future reference.

Below are some precautions, tips, and other safety considerations that will help you become accustomed to operating the Travel Scooter safely.

### **PRE-RIDE SAFETY CHECK**

Get to know the feel of your Travel Scooter and its capabilities. We recommend that you perform a safety check before each use to make sure your Travel Scooter operates smoothly and safely.

#### **Perform the following inspections prior to using your Travel Scooter:**

- Check the condition of the tires. Make sure they are not damaged or excessively worn.
- Check all electrical connections. Make sure they are tight and not corroded.
- Check all harness connections. Make sure they are secured properly.
- Check the brakes to ensure they operate properly.
- Check the battery condition meter to ensure the batteries are fully charged.
- Ensure the manual freewheel lever is in drive mode before sitting on the Travel Scooter.

If you discover a problem, contact your authorized Provider for assistance. Please refer to the Contact Information insert in your Owner's Package.

# II. YOUR TRAVEL SCOOTER

## TILLER CONSOLE

The tiller console houses all controls needed to drive your Travel Scooter, including the key switch, throttle control lever, horn button, speed adjustment dial, and the battery condition meter. Please refer to the Travel Scooter Features Table on the inside of the front cover of this owner's manual to determine which console figure to choose. See figures 1 through 7.



**PROHIBITED! Do not expose the tiller console to moisture. In the event that the tiller console does become exposed to moisture, do not attempt to operate your Travel Scooter until the tiller console has dried thoroughly.**

### IDENTIFICATION KEY FOR FIGURES 1 THROUGH 7

- |  |                           |
|--|---------------------------|
| 1. Horn  | 7. Off-board Charger Fuse |
| 2. Key Switch                                      | 8. Light Fuse             |
| 3. Battery Condition Meter                         | 9. Light Switch           |
| 4. Speed Adjustment Dial                           | 10. USB Charger Port      |
| 5. Throttle Control Lever                          | 11. Hi-Lo Switch          |
| 6. Charger Power Cord Receptacle<br>(Tiller Port)* |                           |

\*Charger Power Cord Receptacle (Tiller Port) also functions as a Programming Port in Tiller Consoles E and F (see figures 5 and 6).

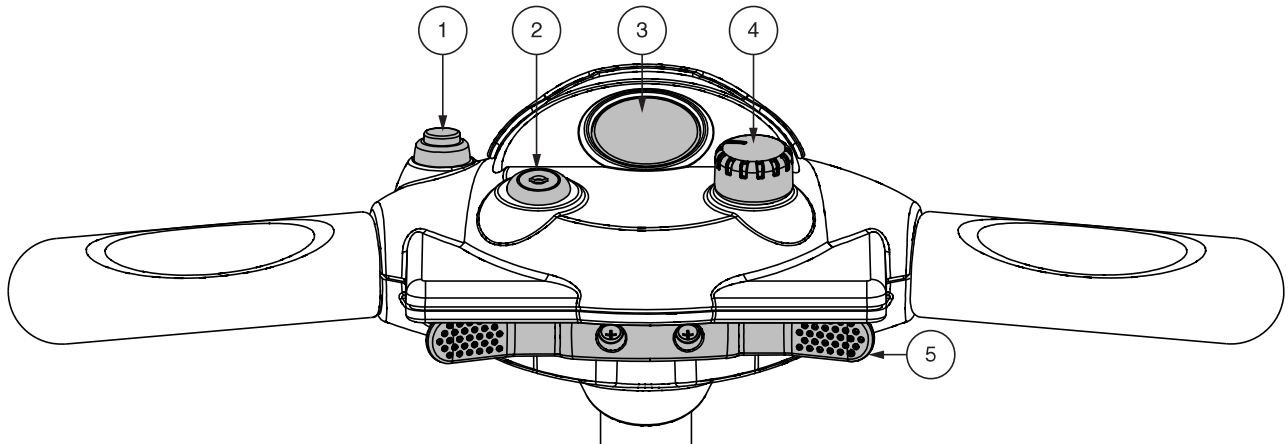


Figure 1. Tiller Console A (Models 29, 36, 336, 40X, 44X)

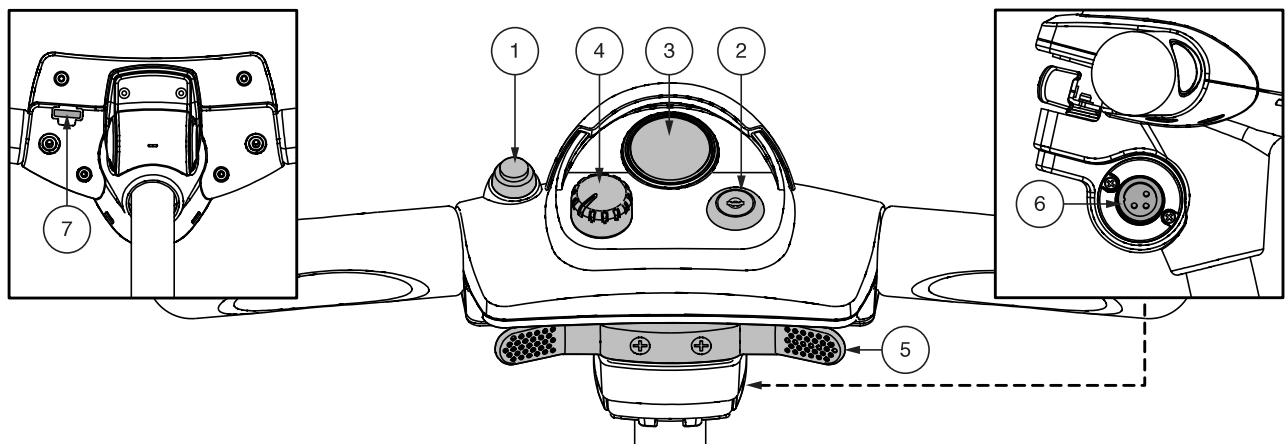


Figure 2. Tiller Console B (Models 39, 40, 49, 83, 84)

# II. YOUR TRAVEL SCOOTER

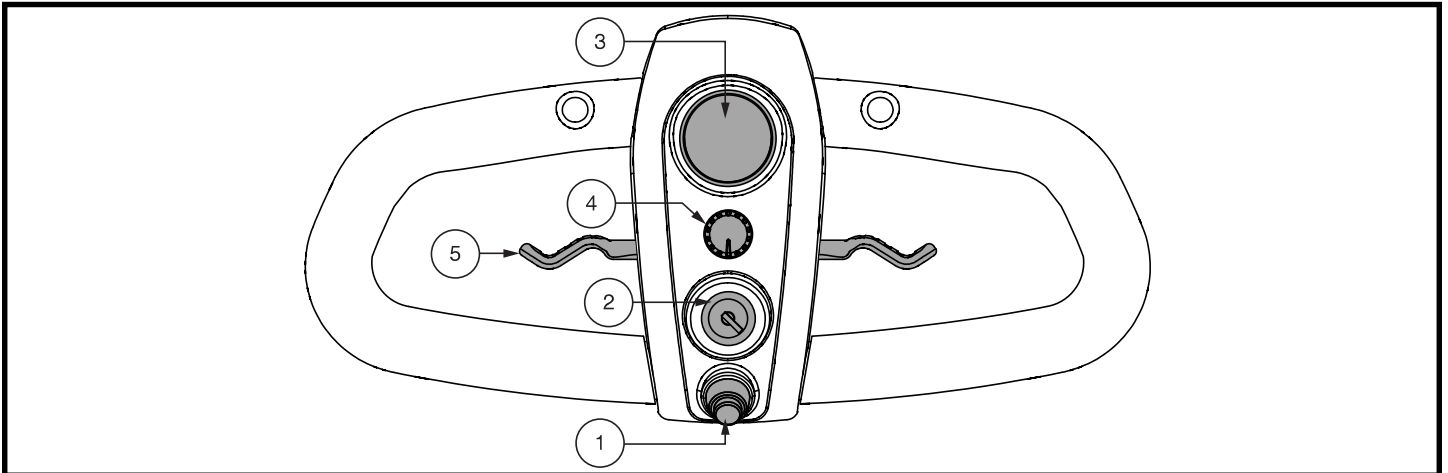


Figure 3. Tiller Console C (Models 40E [Australia only], 44E [Australia only], 53HD, 54HD)

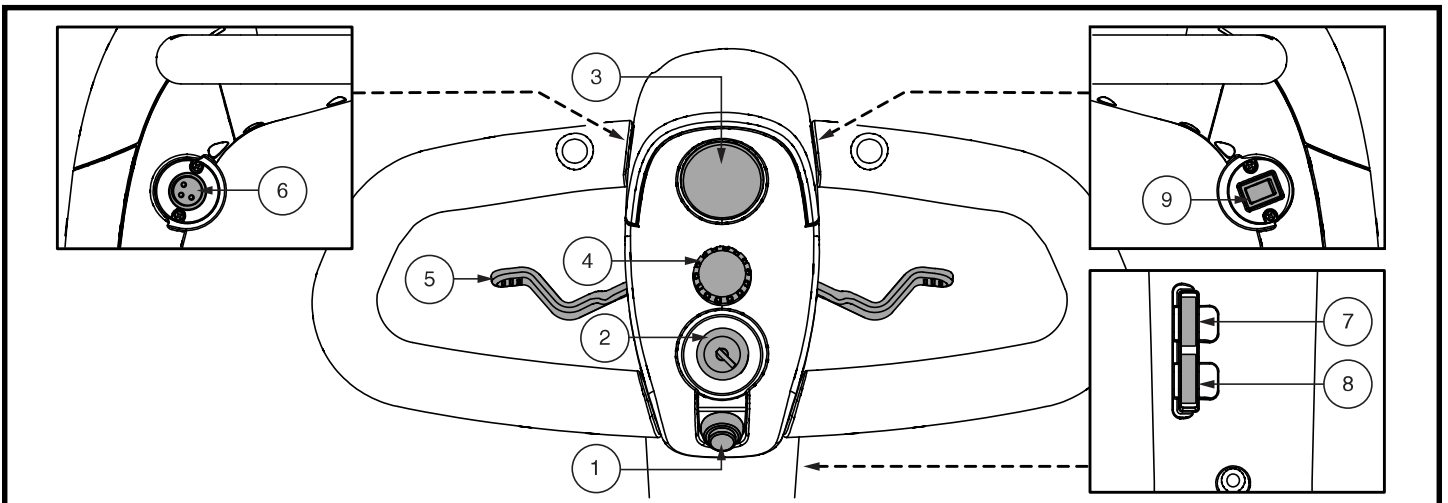


Figure 4. Tiller Console D (Models 40LX, 44LX, 50LX, 50LXLIT, 53, 54, 54LX, 54LXLIT, 73, 74)

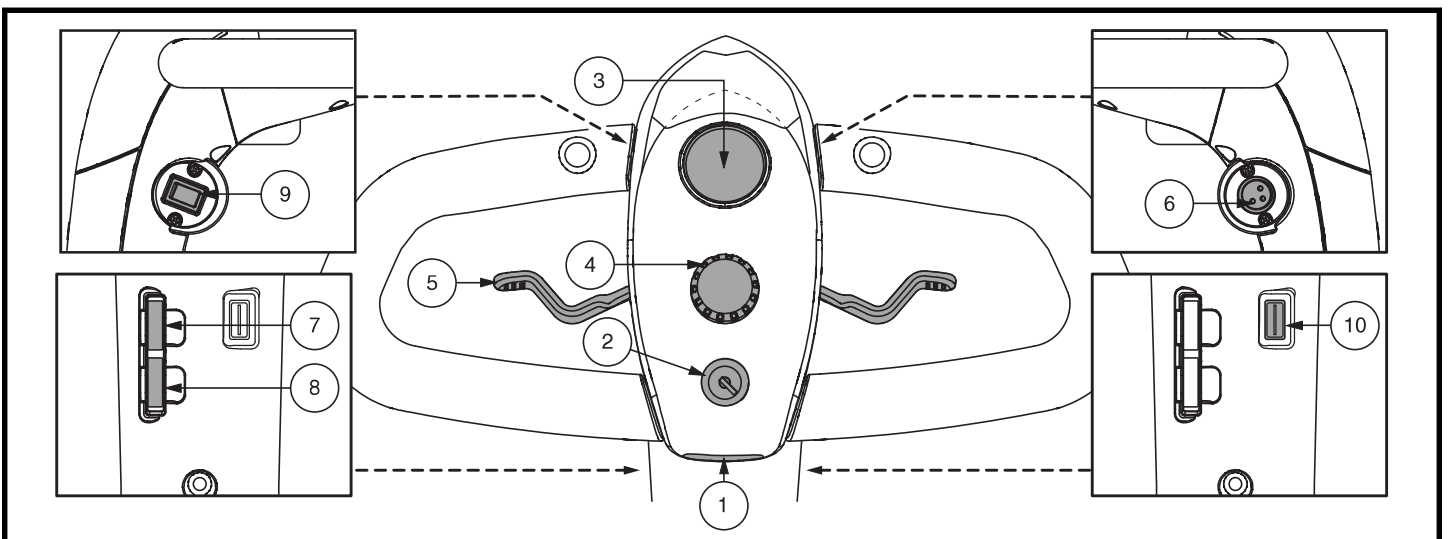


Figure 5. Tiller Console E (Model Jazzy ZTS)



## II. YOUR TRAVEL SCOOTER

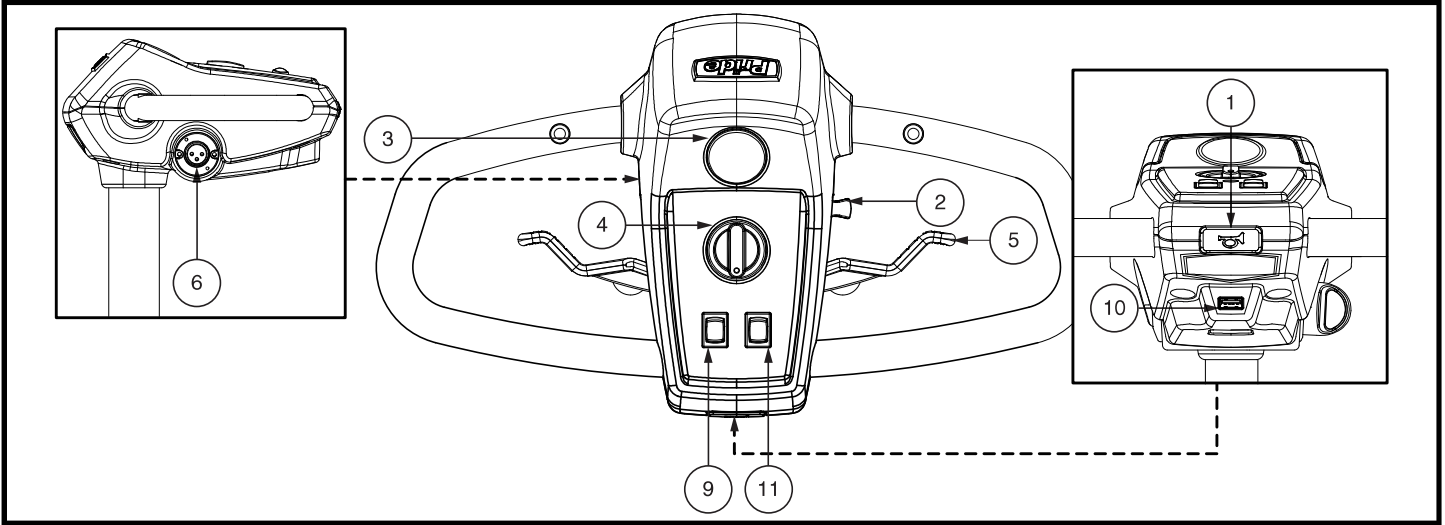


Figure 6. Tiller Console F (Models 66, 67)

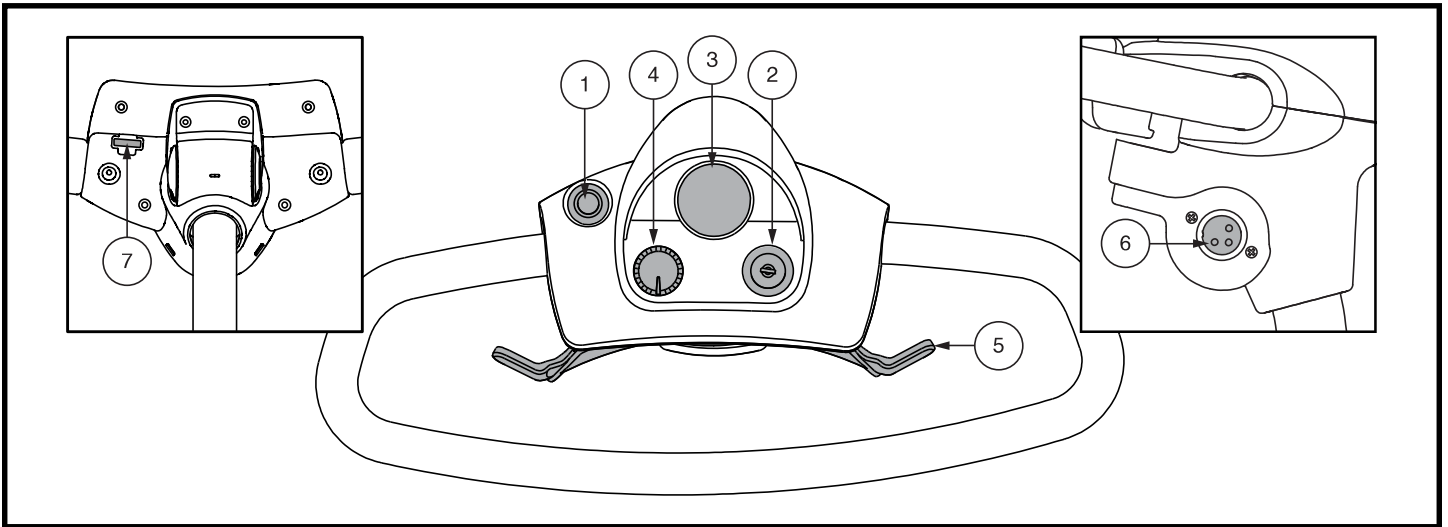


Figure 7. Tiller Console G (Models AAP4, 40E, 44, 44E)

### Horn Button

This button activates a warning horn. Your Travel Scooter must be turned on for the horn to be operational. Do not hesitate to use the warning horn when doing so may prevent accident or injury.

### Key Switch

- Insert the key into the key switch and turn it clockwise to power up (turn on) your Travel Scooter.
- Turn the key counterclockwise to power down (turn off) your Travel Scooter.



**WARNING! When faced with an emergency situation, switch off the key to power off the scooter. Use caution. Be advised that turning off power to the scooter may cause the scooter to stop abruptly. To release the emergency stop and restore driving capability to the scooter, release the throttle control lever and then switch on the key to the scooter.**

Although the key can be left in the key switch when the Travel Scooter is powered down, we recommend removing it to prevent unauthorized use of your Travel Scooter.



**WARNING! If the key is moved to the “off” position while your Travel Scooter is in motion, the electronic brakes will engage and your Travel Scooter will come to an abrupt stop!**

## II. YOUR TRAVEL SCOOTER

### Battery Condition Meter

When the key is fully inserted into the key switch and turned clockwise to power up your scooter, this meter indicates approximate battery strength. For further information on the battery condition meter, see III. "Batteries and Charging."

### Speed Adjustment Dial

This dial allows you to preselect and limit your Travel Scooter's top speed.

- The image of the tortoise represents the slowest speed setting.
- The image of the hare represents the fastest speed setting.

### Throttle Control Lever

This lever allows you to control the forward speed and the reverse speed of your scooter up to the maximum speed you preset with the speed adjustment dial.

**NOTE:** *The throttle control lever operation instructions outlined below apply to scooters in a standard configuration. If the programming of your scooter was modified in any way by a provider, contact that provider for correct throttle control level operation instructions.*

#### ***To use throttle control lever for models equipped with Tiller Consoles A and B:***

- To move **Forward**, use your right thumb to push the right side of the throttle control lever.
- To move **Rearward**, use your left thumb to push the left side of the throttle control lever.

#### ***To use throttle control lever for models equipped with Tiller Consoles C, D, E, F, and G:***

##### **To move Forward, use either of the following:**

- Use your left thumb to push the left side of the throttle control lever.
- Use your right hand fingers to pull back on the right side of the throttle control lever.

##### **To move Rearward, use either of the following:**

- Use your right thumb to push the right side of the throttle control lever.
- Use your left hand fingers to pull back on the left side of the throttle control lever.

Release the throttle control lever and allow your scooter to come to a complete stop before engaging the other side of the lever. When the throttle control lever is completely released, it automatically returns to the center "stop" position and engages your scooter's brakes.

## II. YOUR TRAVEL SCOOTER

### High-Low Button

This switch toggles the scooter's speed between Hi and Low. Toggle the switch forward (Hi) to achieve the maximum preprogrammed speed for the scooter. Toggle the switch rearward (Low) to achieve half the maximum preprogrammed speed of the scooter.

### Lights Switch (If Equipped)

This switch controls your Travel Scooter's lighting system. For all models, *except 66 and 67*, see figures 4 and 5.

- Toggle the switch forward to turn on the lighting system.
- Toggle the switch rearward to turn off the lighting system.

### For models 66 and 67 (see figure 6):

- Toggle switch rearward to activate the puddle light.
- Toggle switch forward to activate the headlight.
- Return switch to center position to deactivate lights.



**WARNING! Scooter users are required to use their lights when visibility is restricted—day or night.**

### REAR COMPONENTS

The manual freewheel lever, anti-tip wheels, and motor/transaxle assembly are located on your Travel Scooter as shown. For all models, *except Jazzy ZTS*, see figure 8.



**WARNING! Before placing your Travel Scooter into or taking it out of freewheel mode, remove the key from the key switch. Never sit on a Travel Scooter when it is in freewheel mode. Never put a Travel Scooter in freewheel mode on any incline.**

### Motor/Transaxle Assembly

The motor/transaxle assembly is an electromechanical unit that converts electrical energy from your Travel Scooter's batteries into the controlled mechanical energy that drives the Travel Scooter's wheels.

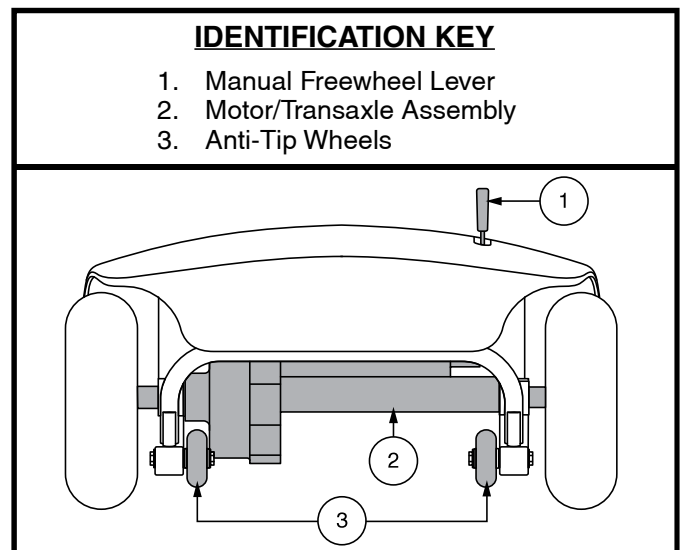


Figure 8. Rear Components

### Manual Freewheel Lever - Models AAP4, 29, 36, 336, 39, 40, 44, 40X, 44X, 40E, 44E, 40LX, 44LX, 49, 50LX, 50LXLIT, 53, 53HD, 54, 54HD, 54LX, 54LXLIT, 66, 67, 73, 74, 83, and 84

Whenever you need or want to push your Travel Scooter for short distances, you can put it in freewheel mode.

1. Locate the manual freewheel lever at the top right of the rear section.
2. Push forward on the manual freewheel lever to disable the drive system and the brake system. You may now push your Travel Scooter.
3. Push the manual freewheel lever rearward to reengage the drive and the brake systems; this takes your Travel Scooter out of freewheel mode.



**WARNING! When your Travel Scooter is in freewheel mode, the braking system is disengaged.**

- Disengage the drive motors only on a level surface.
- Ensure the key is removed from the key switch.
- Stand to the side of the scooter to engage or disengage freewheel mode. Never sit on a scooter to do this.
- After you have finished pushing your Travel Scooter, always return it to the drive mode to lock the brakes.

## II. YOUR TRAVEL SCOOTER

### Manual Freewheel Levers - Jazzy ZTS

For your convenience, your travel scooter has a manual freewheel lever on each motor. Manual freewheel levers enable you to disable the drive system in order to maneuver the Travel Scooter manually. See figure 9.



**WARNING! Do not use the Travel Scooter while the drive motors are disengaged! Do not disengage the drive motors when the travel scooter is on an incline or decline, as the unit could roll on its own! Only engage the freewheel mode when on a level surface.**



**WARNING! It is important to remember that when your Travel Scooter is in freewheel mode, the braking system is disengaged.**

*NOTE: It is strongly recommended that you do not charge your batteries while in freewheel mode.*

*NOTE: You must turn off the power before disabling the drive systems; otherwise, you may get an error code on the scooter. To clear this code, turn off the scooter and place the travel scooter in drive mode. Then turn on the scooter. The error message should be cleared. If not, contact an authorized Provider.*

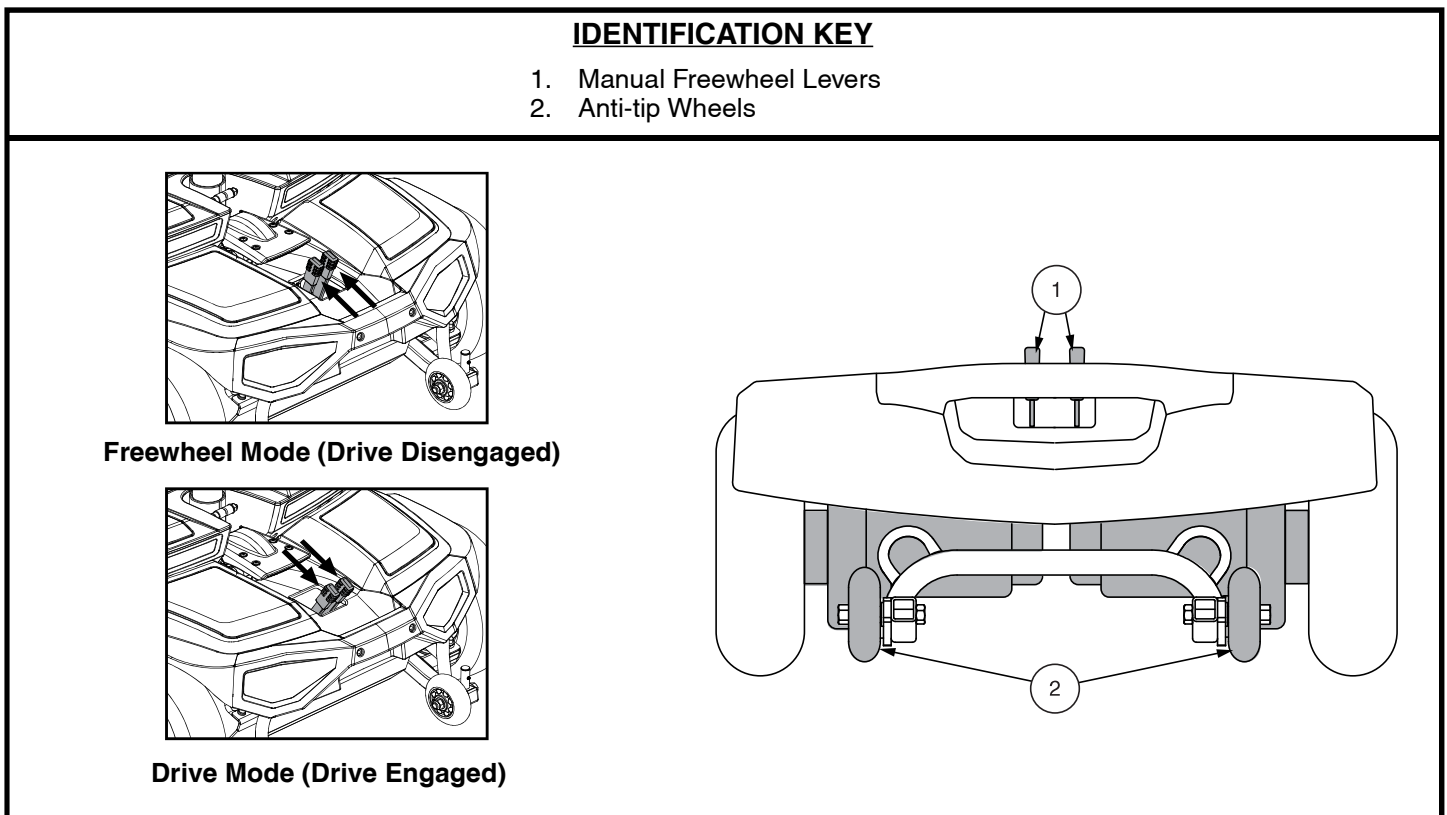


Figure 9. Rear Components - Jazzy ZTS

#### To engage or disengage the drive system:

1. Locate the levers on the rear section of the scooter. See figure 9.
2. Pull the two levers toward the rear of the travel scooter to engage the drive motors (drive mode).
3. Push the two levers toward the front of the travel scooter to disengage the drive motors (freewheel mode).

If a lever is difficult to move in either direction, rock your travel scooter back and forth slightly. The lever should then move to the desired position.



**WARNING! Do not use the freewheel lever handles as tie-down points to secure this product.**

## II. YOUR TRAVEL SCOOTER

### Anti-Tip Wheels

The anti-tip wheels are an integral and important safety feature of your Travel Scooter. They are bolted to the frame at the rear of the Travel Scooter.



**PROHIBITED! Do not remove the anti-tip wheels or modify your Travel Scooter in any way that is not authorized by your Provider.**



**WARNING! The anti-tip wheels may cause interference with the smooth transition of your Travel Scooter when ascending or descending a curb. Contact your authorized Provider for more information.**

### BATTERY PACK

Your Travel Scooter is equipped with an innovative, easy-to-remove battery pack. A handle on the top of the battery pack makes it easy to lift the pack off of the Travel Scooter with one hand. Depending on the configuration of your Travel Scooter, the battery pack contains either one or two rechargeable batteries, and may contain the charger power cord receptacle, the main circuit breaker (reset button), and the battery pack fuse. **See figures 10 and 11.**

#### Main Circuit Breaker (Reset Button)

When the voltage in your Travel Scooter's batteries becomes low or the Travel Scooter is heavily strained because of excessive loads or steep inclines, the main circuit breaker may trip to protect the motor and electronics from damage. **See figures 10 and 11.**

- The main circuit breaker reset button pops out when the breaker trips.
- When the breaker trips, the entire electrical system of your Travel Scooter shuts down.
- Allow a minute or two for your Travel Scooter's electronics to "rest."
- Push in the reset button to reset the main circuit breaker.
- If the main circuit breaker trips frequently, you may need to charge your batteries more often.
- If the main circuit breaker trips repeatedly, see your authorized Provider for service.

#### Charger Power Cord Receptacle

The end of the 3-pin charger power cord plugs into this receptacle. **See figures 12 and 13.**

#### Tiller Console Fuse (If Equipped)

The fuse located under the battery pack protects the tiller console electronics. **See figure 10.** In the event any component of the tiller console is not responding, check this fuse. See VII. "Basic Troubleshooting" for fuse replacement instructions.

#### Off-Board Battery Charger

The off-board battery charger, when plugged into the charger power cord receptacle and a standard electrical outlet, charges the Travel Scooter's batteries. **See figure 14.**

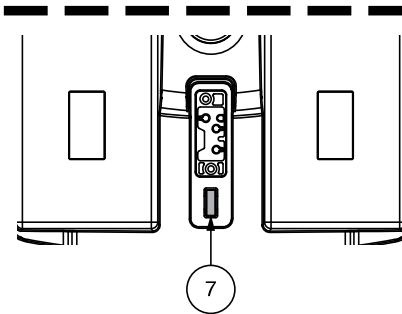
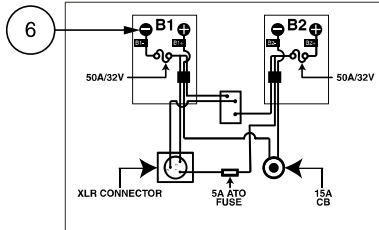
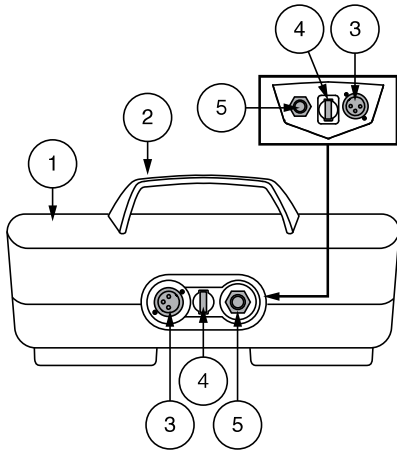
**NOTE:** *See figures 12 and 13 to determine the appropriate XLR charging port based on the configuration of your scooter.*

# II. YOUR TRAVEL SCOOTER

## IDENTIFICATION KEY

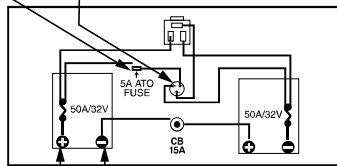
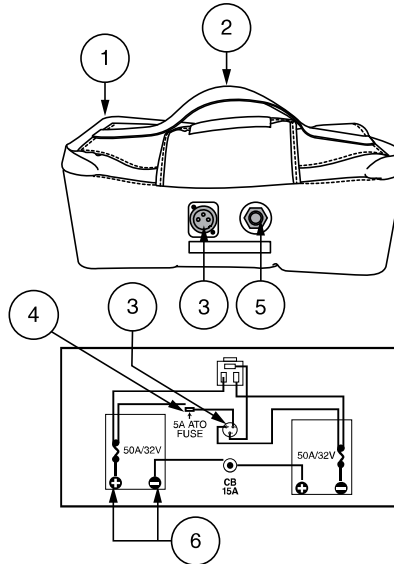
- |                                  |  |
|----------------------------------|--|
| 1. Battery Pack                  | 5. Main Circuit Breaker (Reset Button) |
| 2. Battery Pack Handle           | 6. Battery Terminals                   |
| 3. Charger Power Cord Receptacle | 7. Tiller Console Fuse                 |
| 4. Battery Pack Fuse             |  |

### Battery Pack Style A

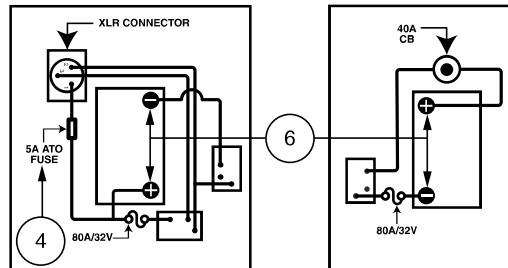
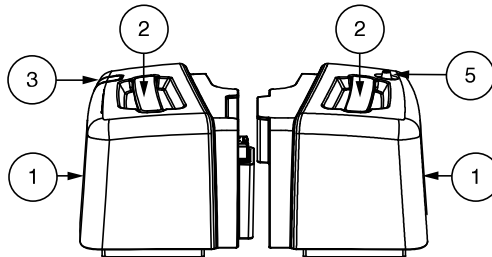


(Travel Scooter Deck)

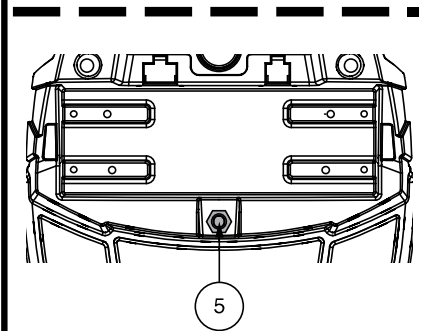
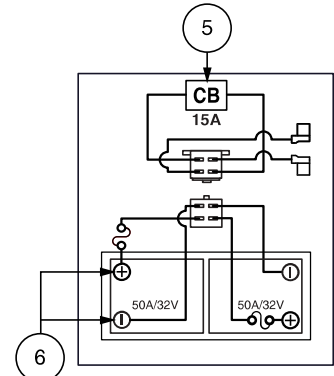
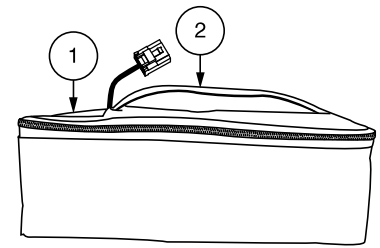
### Battery Pack Style B



### Battery Pack Style C



### Battery Pack Style D



(Travel Scooter Deck)

Figure 10. Battery Pack

# II. YOUR TRAVEL SCOOTER

### IDENTIFICATION KEY

1. Top Battery Box Cover
2. Batteries
3. Charger Port
4. Battery Pack Fuse
5. Bottom Battery Box Cover
6. Circuit Breaker

### Battery Pack Style E

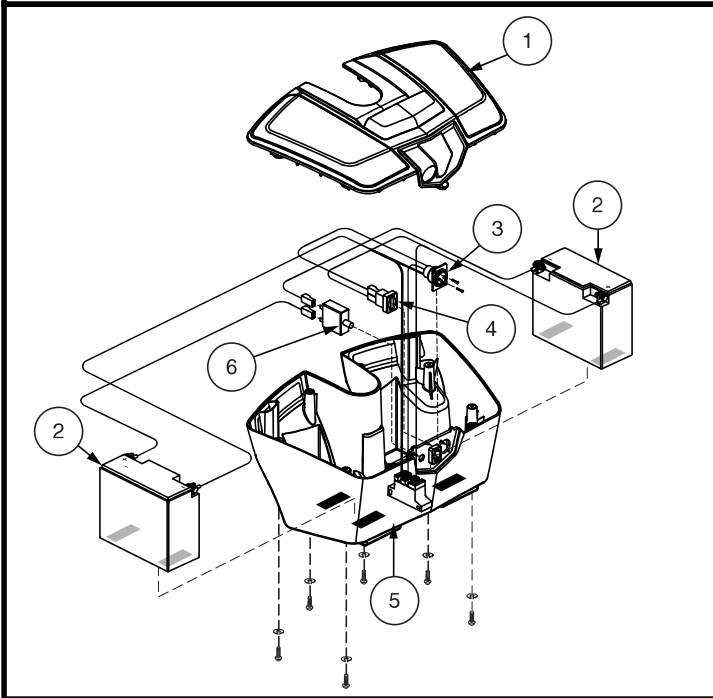


Figure 11 Battery Box - Jazzy ZTS, 50LX, 50LXLIT, 54LX, 54LXLIT

### IDENTIFICATION KEY

1. Tiller Console
2. Charger Power Cord Receptacle

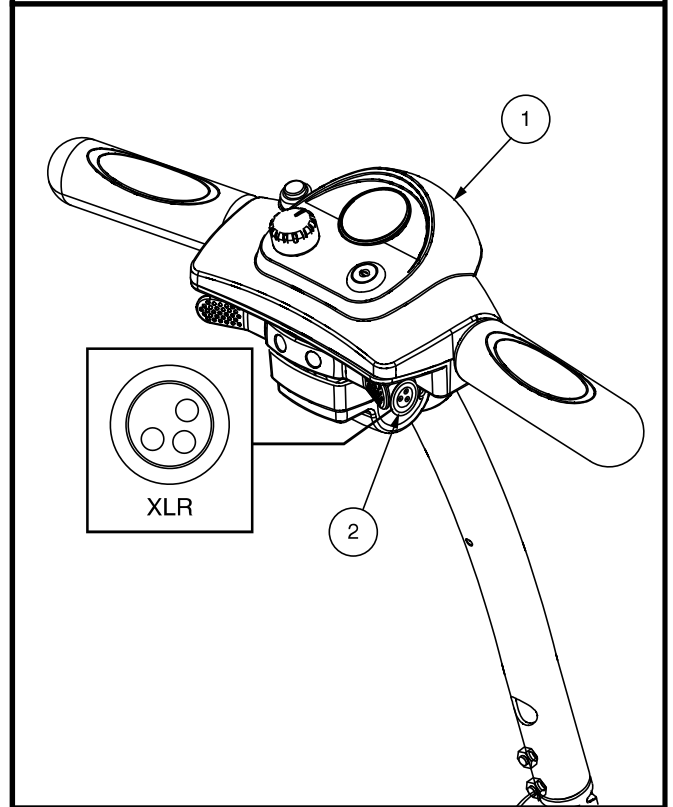


Figure 12. Charger Power Cord Receptacle (Tiller Mounted)

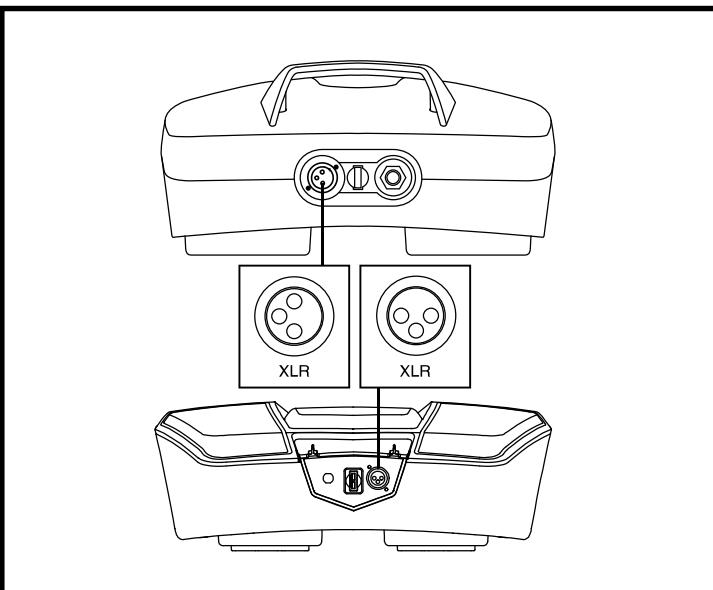


Figure 13. Charger Power Cord Receptacle (Battery Pack)

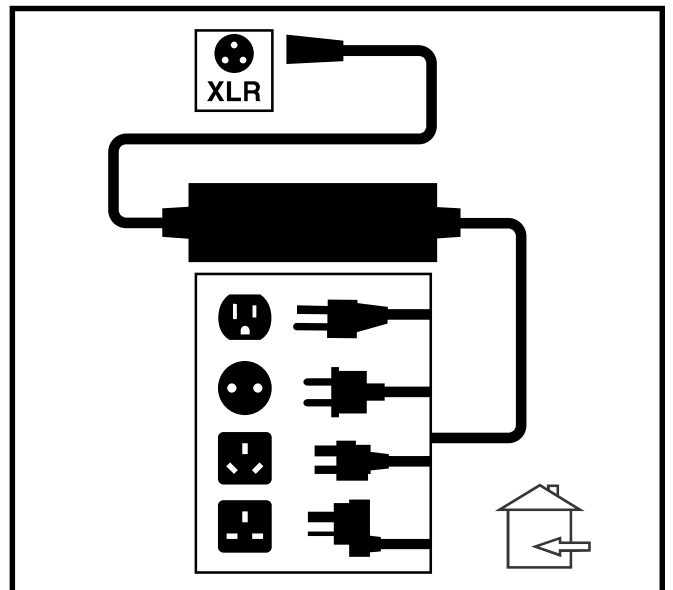


Figure 14. Off-board Battery Charger

## II. YOUR TRAVEL SCOOTER

### SECUREMENT POINTS

Always secure the Travel Scooter in a forward-facing position in the vehicle. Attach the four tie-down straps to the designated securement points. See figure 15. Tighten the straps to sufficiently remove all slack. Never attach tie-downs to adjustable, moving, or removable parts of the Travel Scooter such as armrests, shrouds, and wheels. These items should be removed. Position the anchor points for the rear tie-down straps directly behind the rear securement points on the Travel Scooter. The front tie-down straps should anchor to floor points that are spaced wider than the Travel Scooter to provide increased lateral stability.



**WARNING! Ensure Travel Scooters are properly secured to the motor vehicle during transport. Scooters that are not properly secured can become a hazard to the user and to other vehicle passengers in the event of a crash, sudden stopping, or swerving, as the Travel Scooter could tip or slide out of place.**

### IDENTIFICATION KEY

1. Front Securement Points (3-wheel models)
  - 1a. Models 83 and 84 only
  - 1b. Models 29, 36, 336, 39, 40, 40X, 40E, 40LX, 50LX, 50LXLIT, 53, 53HD, and 73
  - 1c. Model 66 only
2. Front Securement Points (4-wheel models)  
Models AAP4, 44, 44X, 44E, 44LX, 49, 54, 54LX, 54LXLIT, 54HD, 67, 74, and Jazzy ZTS
3. Rear Securement Points

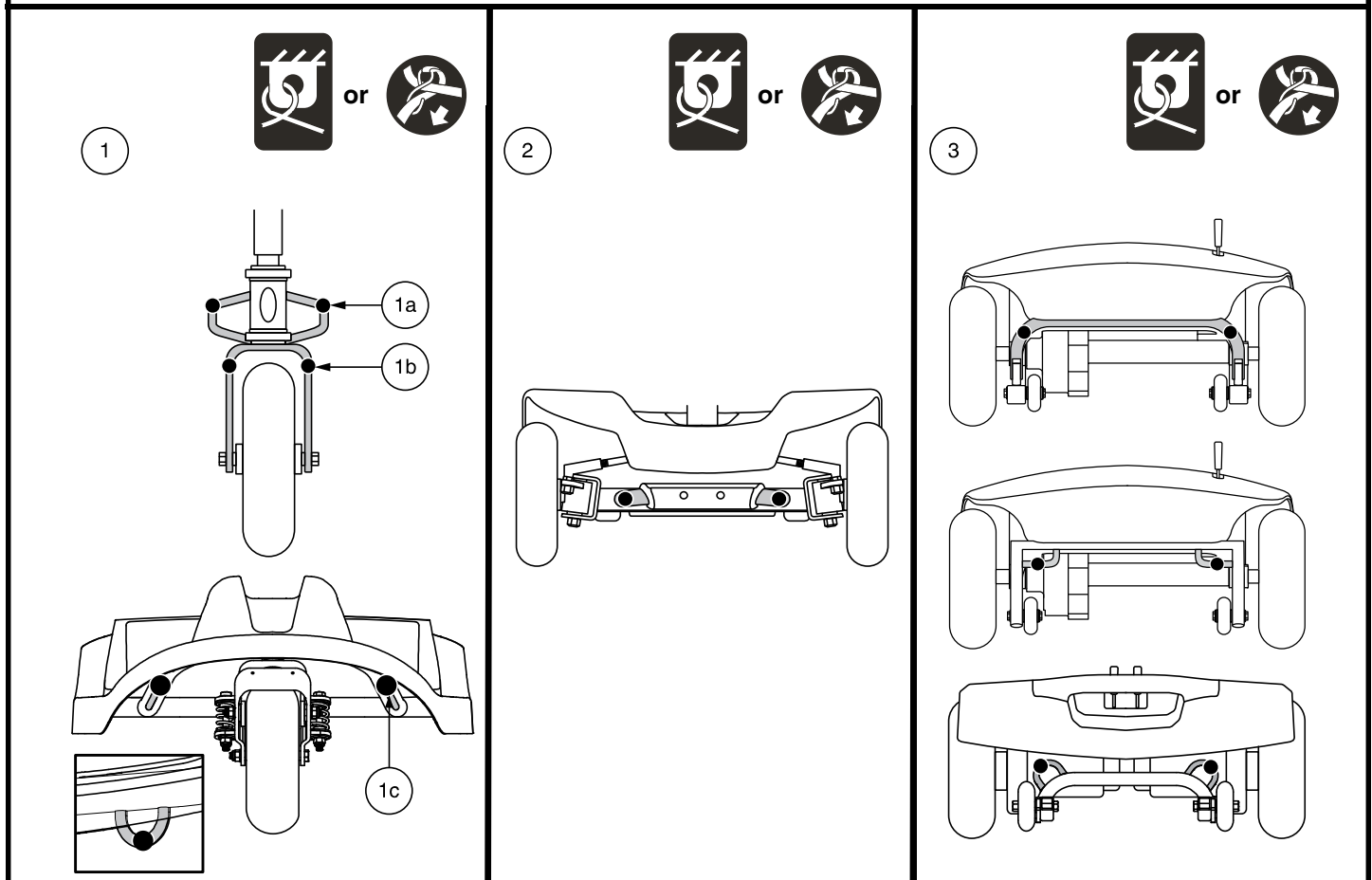


Figure 15. Securement Points (Identified with black dots)



## II. YOUR TRAVEL SCOOTER

### SHROUD PANELS

On certain models, you can change the color of your Travel Scooter by removing the colored plastic shroud panel pieces and replacing them with one of the other supplied sets. The panels are held in place by a hook and loop reusable fastener. See **Travel Scooter Features Table (inside front cover)**.

#### To remove the shroud panel pieces:

1. Use your finger to locate the push hole behind each shroud piece.
2. Push through the hole to separate the piece from the Travel Scooter. See **figure 16**.

#### To remove the tiller console visor:

1. Gently pull the top of the visor away from the tiller console, then slowly lift it up and away from the tiller console. See **figure 17**.

To reinstall the shroud pieces, place each piece in its appropriate location and push with slight pressure to secure the reusable fastener.

**NOTE:** When installing the front and rear fender panels, make sure the tab at the bottom of each panel is inserted into the tab opening before securing the panel. See **figure 16**.

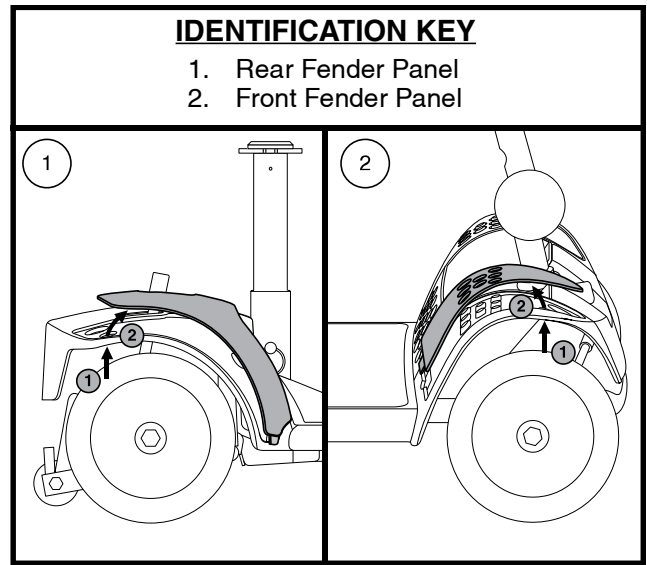


Figure 16. Fender Panels

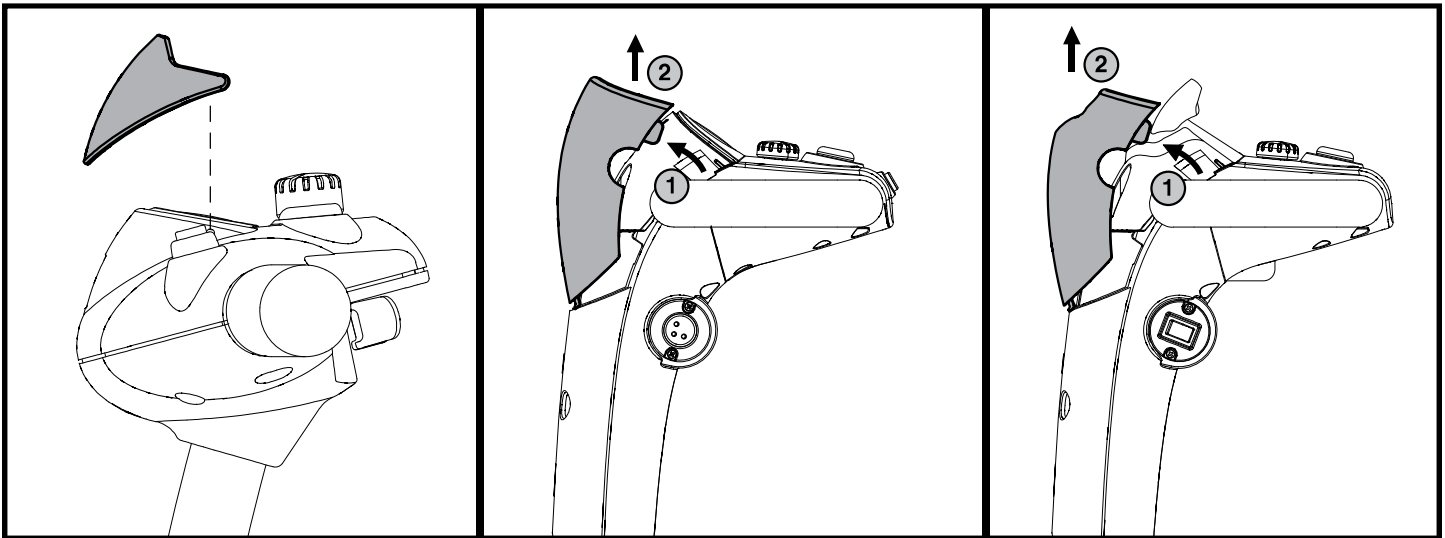


Figure 17. Tiller Console Visor

# III. BATTERIES AND CHARGING

## BATTERIES AND CHARGING

Your Travel Scooter requires two long-lasting, 12-volt, deep-cycle batteries that are sealed and maintenance free. They are recharged by the supplied off-board charging system.

- Charge your Travel Scooter's batteries for at least 8 to 14 hours prior to using it for the first time.
- Keep the batteries fully charged to keep your Travel Scooter running smoothly.

## READING YOUR BATTERY VOLTAGE

The battery condition meter on the tiller console indicates the approximate strength of your batteries using a color code. From right to left on the meter, green indicates fully charged batteries, yellow a draining charge, and red indicates that an immediate recharge is necessary. See figure 18. To ensure the highest accuracy, the battery condition meter should be checked while operating your Travel Scooter at full speed on a dry, level surface.

*NOTE: Ambient Meter (Battery Condition Meter 1c) adjusts brightness based on environmental lighting.*

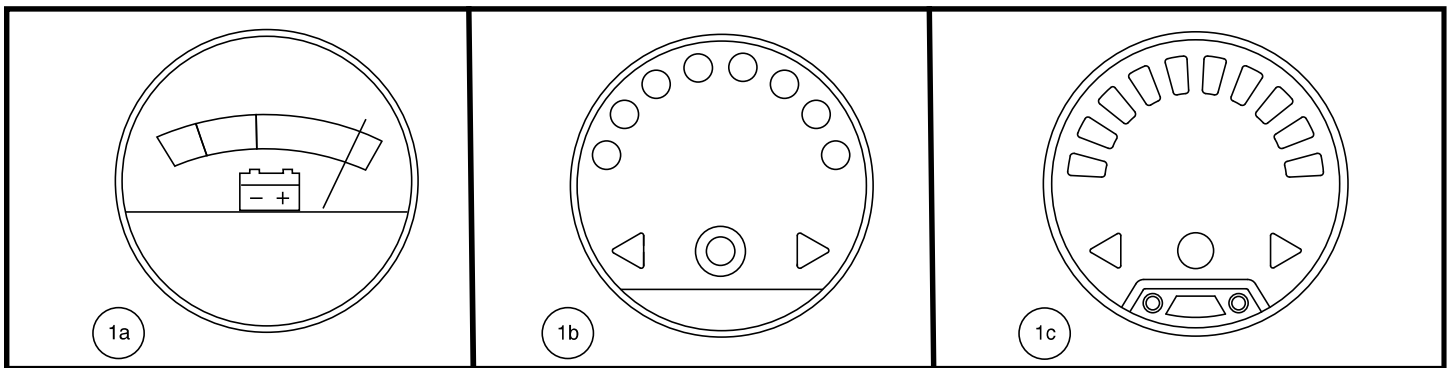


Figure 18. Battery Condition Meter

## CHARGING YOUR BATTERIES

*NOTE: With some models, the battery pack can be charged on or off the Travel Scooter. See Travel Scooter Features Table.*

*NOTE: Models 66 and 67, both battery boxes can be removed from the scooter and then attached together for easy charging. See Figure 19.*



**PROHIBITED!** Removal of grounding prong can create electrical hazard. If necessary, properly install an approved 3-pronged adapter to an electrical outlet having 2-pronged plug access.



**PROHIBITED!** Never use an extension cord to plug in your battery charger. Plug the charger directly into a properly wired standard electrical outlet.



**PROHIBITED!** Do not allow unsupervised children to play near the Travel Scooter while the batteries are charging. We recommend that you do not charge the batteries while the Travel Scooter is occupied.



**MANDATORY!** Read the battery charging instructions in this manual and in the manual supplied with the battery charger before charging the batteries.



**WARNING!** Explosive gases may be generated while charging the batteries. Keep the Travel Scooter and battery charger away from sources of ignition such as flames or sparks and provide adequate ventilation when charging the batteries.



Figure 19. Battery Box Charging (Models 66 and 67)

# III. BATTERIES AND CHARGING

**WARNING!** You must recharge your Travel Scooter's batteries with the supplied off-board charger. Do not use an automotive-type battery charger.

**WARNING!** Inspect the battery charger, wiring, and connectors for damage before each use. Contact your authorized Provider if damage is found.



**WARNING!** Do not attempt to open the battery charger case. If the battery charger does not appear to be working correctly, contact your authorized Provider.

**WARNING!** If the battery charger is equipped with cooling slots, then do not attempt to insert objects through these slots.

**WARNING!** Be aware that the battery charger case may become hot during charging. Avoid skin contact and do not place on surfaces that may be affected by heat.



**WARNING!** If your battery charger has not been tested and approved for outdoor use, then do not expose it to adverse or extreme weather conditions. If the battery charger is exposed to adverse or extreme weather conditions, then it must be allowed to adjust to the difference in environmental conditions before use indoors. Refer to the manual supplied with the battery charger for more information.

Follow the 6 easy steps in figure 20 to charge your batteries safely:

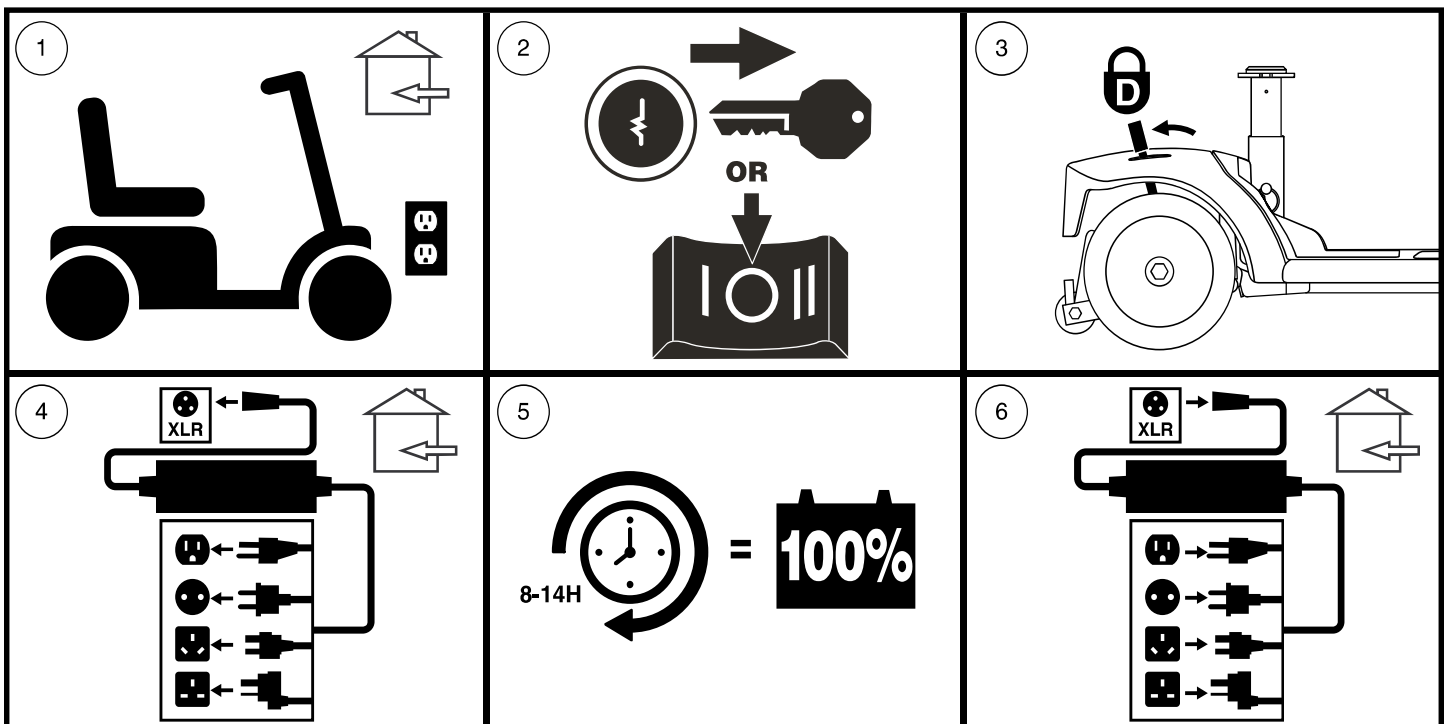


Figure 20. Battery Charging Procedures Diagram



**WARNING!** The LED lights on the charger indicate different charger conditions at various times. If the LED does not indicate that charging is complete within 24 hours, unplug the charger from the outlet and contact your Provider. Refer to the operating instructions supplied with the charger for a complete explanation of these indicators.

**NOTE:** There is a charger inhibit function on your Travel Scooter. The Travel Scooter will not run and the battery condition meter will not operate while the batteries are charging (when the battery pack is being charged on the Travel Scooter).

# III. BATTERIES AND CHARGING

## FREQUENTLY ASKED QUESTIONS

### How does the charger work?

When your Travel Scooter's battery voltage is low, the charger works harder, sending more electrical current to the batteries to bring up their charge. As the batteries approach a full charge, the charger sends less and less electrical current. When the batteries are fully charged, the current sent from the charger is at nearly zero amperage. Therefore, when the charger is plugged in, it maintains the charge on your Travel Scooter's batteries, but does not overcharge them. Refer to the manual supplied with the battery charger for charging instructions.

### Can I use a different charger?

Chargers are selected precisely for particular applications and are especially matched to the type, size, and chemical formulation of specific batteries. For the safest and most efficient charging of your Travel Scooter's batteries, we recommend use of the charger supplied as original equipment with your product only. Any charging method resulting in batteries being charged individually is especially prohibited.

### What if my Travel Scooter's batteries will not charge?

- Ensure that the fuse on the battery pack is in working condition. **See figures 10 and 11.**
- Ensure both ends of the charger power cord are inserted fully.

### How often must I charge the batteries?

Two major factors must be considered when deciding how often to charge your Travel Scooter's batteries:

- All day use on a daily basis.
- Infrequent or sporadic use.

With these considerations in mind, you can determine how often and for how long you should charge your Travel Scooter's batteries. The battery charger was designed so that it will not overcharge your Travel Scooter's batteries. However, you may encounter some problems if you do not charge your batteries often enough and if you do not charge them on a regular basis. Following the guidelines below will provide safe and reliable battery operation and charging.

- If you use your Travel Scooter daily, charge its batteries as soon as you finish using it for the day. Your Travel Scooter will be ready each morning. We recommend that you charge your Travel Scooter's batteries for at least 8 to 14 hours after daily use. We recommend that you charge the batteries for an additional 4 hours after the battery charger indicates that charging is complete.
- If you use your Travel Scooter once a week or less, charge its batteries at least once a week for at least 24 hours.

***NOTE: Keep your batteries fully charged and avoid deeply discharging your batteries. Refer to the manual supplied with the battery charger for charging instructions. We recommend charging your batteries for at least 48 continuous hours once per month to improve battery performance and battery life.***

### How can I ensure maximum battery life?

Fully charged deep-cycle batteries provide reliable performance and extended battery life. Keep your Travel Scooter's batteries fully charged whenever possible. Protect your Travel Scooter and batteries from extreme heat or cold. Batteries that are regularly and deeply discharged, infrequently charged, stored in extreme temperatures, or stored without a full charge may be permanently damaged, causing unreliable performance and limited service life.

***NOTE: To extend battery life, always turn off Travel Scooter and remove the key when not in use.***

### How can I get maximum range or distance per charge?

Rarely will you have ideal driving conditions—smooth, flat, hard driving surfaces with no wind or curves. Often, you will face hills, sidewalk cracks, uneven and loosely packed surfaces, curves, and wind, all of which affect the distance or running time per battery charge. Below are a few suggestions for obtaining the maximum range per battery charge.

# III. BATTERIES AND CHARGING

- Always fully charge your Travel Scooter's batteries prior to daily use.
- Plan your route ahead to avoid as many hills, cracked, broken, or soft surfaces as possible.
- Limit your baggage weight to essential items.
- Try to maintain an even speed while your Travel Scooter is in motion.
- Avoid stop-and-go driving.
- We recommend charging your batteries for at least 48 continuous hours once per month to improve battery performance and battery life.
- Make sure all harness connections are secured properly.

## What type and size of battery should I use?

Your Travel Scooter requires two deep-cycle batteries. We recommend only sealed, maintenance-free types such as AGM or Gel-Cell. Do not use wet-cell batteries, which have removable caps. Refer to the specifications table for size as batteries differ depending on manufacturer.



**WARNING! Corrosive chemicals are contained in batteries. Use only AGM or Gel-Cell batteries to reduce the risk of leakage or explosive conditions.**

*NOTE: Sealed batteries are not serviceable. Do not remove the caps.*

## Why do my new batteries seem weak?

Deep-cycle batteries employ a different chemical technology than that used in car batteries, nickel-cadmium batteries (nicads), and other common battery types. Deep-cycle batteries are specifically designed to provide power, drain down their charge, and then accept a relatively quick recharge (8 to 14 hours).

We work closely with our battery manufacturer to provide batteries that best suit your Travel Scooter's specific electrical demands. Fresh batteries are shipped fully charged to our customers. During shipping, the batteries may encounter temperature extremes that can influence their initial performance. Heat diminishes the charge on the battery; cold slows the available power and extends the time needed to recharge the battery.

It may take a few days for the temperature of your Travel Scooter's batteries to stabilize and adjust to their new room or ambient temperature. More importantly, it takes a few charging cycles (partial draining followed by full recharging) to establish the critical chemical balance that is essential to a deep-cycle battery's peak performance and long life.

## Follow these steps to properly break in your Travel Scooter's new batteries for maximum efficiency and service life.

1. Fully recharge any new battery prior to its initial use. This charging cycle brings the battery up to about 88% of its peak performance level.
2. Operate your new Travel Scooter in familiar and safe areas. Drive slowly at first, and do not travel too far from your home or familiar surroundings until you have become accustomed to your Travel Scooter's controls and have properly broken in your Travel Scooter's batteries.
3. Fully recharge the batteries. They should be at over 90% of their peak performance level.
4. Operate your Travel Scooter again, then fully recharge the batteries.
5. After four or five charging cycles, the batteries are able to receive a charge of 100% of their peak performance level and are able to last for an extended period of time.

## What about public transportation?

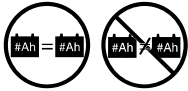
AGM and Gel-Cell batteries are designed for application in scooters and other mobility vehicles. These batteries are Federal Aviation Administration (FAA) approved (United States only), allowing safe transportation on aircraft, buses, and trains, as there is no danger of spillage or leakage. We suggest you contact the carrier's ticket counter in advance to determine that carrier's specific requirements.

# III. BATTERIES AND CHARGING

How do I change a battery in my Travel Scooter?



**MANDATORY!** Battery posts, terminals, and related accessories contain lead and lead compounds. Wear goggles and gloves when handling batteries and wash hands after handling.



**PROHIBITED!** Always use two batteries of the exact same type, chemistry, and amp-hour (Ah) capacity. Refer to the product specifications insert and in the manual supplied with the battery charger for recommended type and capacities.

**WARNING!** Do not mix old and new batteries. Always replace both batteries at the same time.



**WARNING!** Contact your Provider if you have any questions regarding the batteries in your Travel Scooter.

**WARNING!** Do not replace the batteries while the Travel Scooter is occupied.

**WARNING!** The batteries on your Travel Scooter should only be serviced or replaced by an authorized Provider or a qualified technician.



**PROHIBITED!** Keep tools and other metal objects away from battery terminals. Contact with tools can cause electrical shock.

You may need the following to change your batteries:

- Metric/standard socket set and ratchet
- Adjustable wrench
- Screwdriver



**WARNING!** Do not lift beyond your physical capability. Ask for assistance when necessary while disassembling or assembling your scooter.

**WARNING!** Do not pull on electrical harness wires directly to detach them from the Travel Scooter. Always grasp the connector itself when disconnecting the harness to prevent wire damage.

To change batteries in Battery Pack Style A (see figure 10):

1. Remove the battery pack from the Travel Scooter.
2. Carefully turn the pack upside down.
3. Remove the screws from the perimeter of the battery pack.
4. Carefully turn the pack right side up and remove the lid.



**WARNING!** To avoid confusion when replacing batteries, replace one battery at a time.

5. Disconnect the black (-) and red (+) battery cables from the battery terminals of the first battery.
6. Remove the old battery.
7. Place the new battery into the battery pack.
8. Connect the red battery cable to the positive (+) battery terminal of the first battery.
9. Connect the black battery cable to the negative (-) battery terminal of the first battery.
10. Repeat steps 5 through 9 for the other battery.
11. Position the lid back onto the battery pack ensuring all wires are inside the pack so they don't become pinched.
12. Carefully turn the pack upside down.
13. Reinstall all screws and tighten.

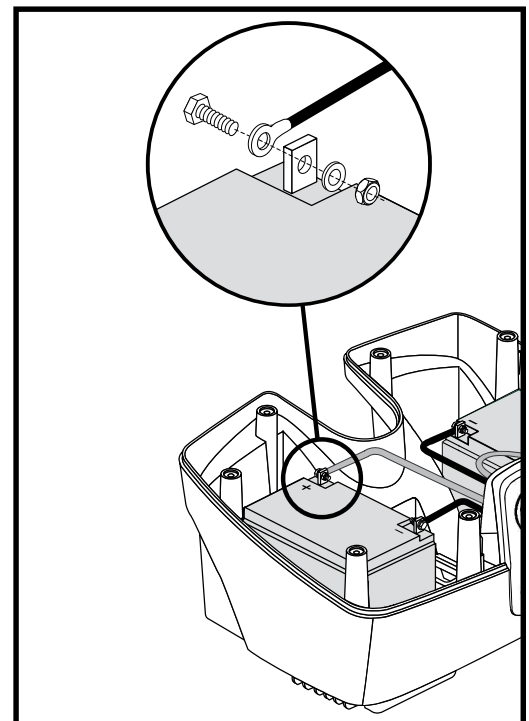


Figure 21. Disconnecting the Battery Cable on a 17-22 Ah Battery Box

# III. BATTERIES AND CHARGING

**NOTE:** Some batteries require the removal of a nut and bolt when disconnecting the battery cable from the battery terminal. See figure 21.

### To change batteries in Battery Pack Style B (see figure 10):

1. Disconnect the battery harness and remove the battery pack from the Travel Scooter. See figure 22.
2. Unzip the battery pack to expose the batteries.



**WARNING!** To avoid confusion when replacing batteries, replace one battery at a time.

3. Disconnect the black (-) and red (+) battery cables from the battery terminals of the first battery.
4. Remove the old battery.
5. Place the new battery into the battery pack.
6. Connect the red battery cable to the positive (+) battery terminal of the first battery.
7. Connect the black battery cable to the negative (-) battery terminal of the first battery.
8. Repeat steps 3 through 7 for the other battery.
9. Completely zip the battery pack.
10. Reinstall the battery pack and connect the battery harness.

### To change batteries in Battery Pack Style C (see figure 10):

1. Remove the seat. See VI “Disassembly and Assembly.”
2. Remove the battery packs from the scooter. Always remove the left side battery pack first.
3. Remove the screw from side of pack, then remove the seven screws from the underside of the pack.
4. Arrange the pack so the handle is facing up and slowly remove the cover.
5. Disconnect the battery cables from the battery terminals by removing the nut and bolt from each terminal.
6. Remove the old battery by detaching from reusable hook and loop fasteners.
7. Place a new battery into the battery pack and secure with reusable hook and loop fasteners.
8. In right battery pack, connect the red battery cable to the positive (+) battery terminal, then connect the purple battery cable to the negative (-) battery terminal.
9. In left battery pack, connect the purple battery cable to the positive (+) battery terminal, then connect the black battery cable to the negative (-) battery terminal.
10. Replace the battery pack cover, then reinstall the seven screws that hold the pack together and tighten.
11. Reinstall screw in side of pack.
12. Reinstall the battery packs onto the scooter and engage the battery pack locks. Always reinstall the right side battery pack first. See figure 23.
13. Reinstall the seat.

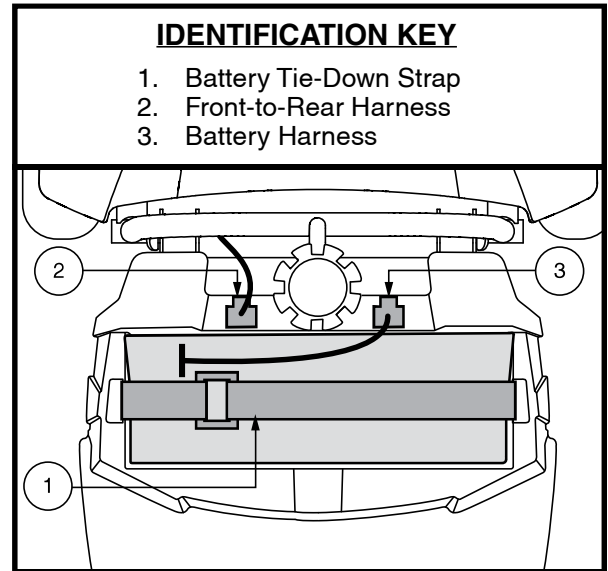


Figure 22. Battery Tie-down Strap

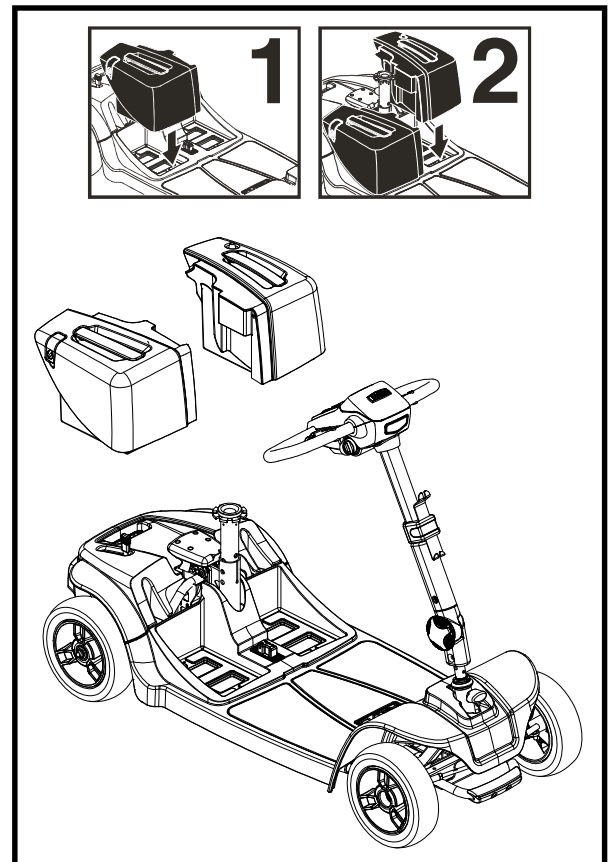


Figure 23. Battery Box Installation of models 66 and 67

# III. BATTERIES AND CHARGING

**NOTE:** *If you encounter a damaged or cracked battery, immediately enclose it in a plastic bag and contact your local waste disposal agency or authorized Provider for instructions on disposal and battery recycling which is our recommended course of action.*

## To change batteries in Battery Pack Style D (see figure 10):

1. Remove the seat and rear shroud. See VI “Disassembly and Assembly.”
2. Disconnect the battery harnesses and tie-down strap then remove the battery pack from the Travel Scooter. See figure 22.
3. Unzip the battery pack to expose the batteries.



**WARNING!** To avoid confusion when replacing batteries, replace one battery at a time.

4. Disconnect the black (-) and red (+) battery cables from the battery terminals of the first battery.
5. Remove the old battery.
6. Place the new battery into the battery pack.
7. Connect the red battery cable to the positive (+) battery terminal of the first battery.
8. Connect the black battery cable to the negative (-) battery terminal of first battery.
9. Repeat steps 4 through 8 for the other battery.
10. Completely zip the battery pack closed.
11. Reinstall the battery pack then connect the battery harnesses and battery tie-down strap.
12. Reinstall the rear shroud and seat.

## To change batteries in Battery Pack Style E (see figure 11):

**NOTE:** *If your Travel Scooter is equipped with a lithium battery, do not open or attempt to disassemble the battery box or attempt to replace the lithium battery within the battery box. Contact your authorized provider for a complete replacement battery box.*

**NOTE:** *If your travel Travel Scooter is equipped with lithium batteries, refer to the lithium battery insert supplied with your travel scooter and the owner’s manual supplied with your battery charger for charging instructions.*

1. Remove the battery box from the travel scooter.
2. Turn the pack upside down.
3. Remove all screws that hold the battery box halves together. See figure 11.
4. Flip the battery box back over so the handle is up and remove the lid.
5. Remove the red (+) positive and black (-) negative battery cables from each battery.
6. Unfasten the reusable hook and loop straps from both batteries.
7. Remove the batteries.
8. Put the new batteries back into the battery box (battery terminals up and facing toward the center of the travel scooter).
9. Fasten the reusable hook and loop straps around both batteries.
10. Reconnect the two (2) battery cables to the battery terminals. Make sure the red cable is connected to the positive (+) terminal and the black cable is connected to the negative (-) terminal.
11. Replace the lid and carefully flip the battery box over so the handle is down.
12. Replace and tighten all the screws that hold the battery box together.
13. Reinstall the battery box back onto the travel scooter.



# IV. OPERATION

## BEFORE GETTING ONTO YOUR TRAVEL SCOOTER

- Have you fully charged the batteries? See III. “Batteries and Charging.”
- Is the manual freewheel lever in the drive (rearward) position? Never leave the manual freewheel lever in the forward position unless you are manually pushing your Travel Scooter.
- Ensure the tiller lock knob is in the unlocked position. See VI. “Disassembly and Assembly.”
- Ensure the air temperature is between -13°F/-25°C to 122°F/50°C.

## GETTING ONTO YOUR TRAVEL SCOOTER

1. Make certain that the key is removed from the key switch.



**WARNING! Never attempt to get onto or off of your Travel Scooter without first removing the key from the key switch. This will prevent the Travel Scooter from moving if accidental throttle control lever contact is made.**

2. Stand at the side of your Travel Scooter.
3. Disengage the seat rotation lever and rotate the seat until it is facing you.
4. Make certain that the seat is secured into position.
5. Position yourself comfortably and securely in the seat.
6. Disengage the seat rotation lever and rotate the seat until you are facing forward.
7. Make certain that the seat is secured into position.
8. Make certain that your feet are safely on the floorboard.

## PRE-RIDE ADJUSTMENTS AND CHECKS

- Is the seat at the proper height? See V. “Comfort Adjustments.”
- Is the seat secured into place?
- Is the tiller at a comfortable setting and secured into place? See V. “Comfort Adjustments.”
- Is the key fully inserted into the key switch and turned clockwise to the “on” position?
- Does the Travel Scooter’s horn work properly?
- Is your proposed path clear of people, pets, and obstacles?
- Have you planned your route to avoid adverse terrain and as many inclines as possible?

*NOTE: Use caution when operating your scooter on delicate surfaces as scuffing and/or marking may occur.*

## OPERATING YOUR TRAVEL SCOOTER

**WARNING! The following can adversely affect steering and stability while operating your Travel Scooter:**



- Holding onto or attaching a leash to walk your pet.
- Carrying passengers (including pets).
- Hanging any article from the tiller.
- Towing or being pushed by another motorized vehicle.

**WARNING! Keep both hands on the tiller and your feet on the floorboard at all times while operating your Travel Scooter. This driving position gives you the most control over your vehicle.**

- Set the speed adjustment dial to your desired speed.
- Press your thumb against the appropriate side of the throttle control lever.
- The electromechanical disc park brake automatically disengages and the Travel Scooter accelerates smoothly to the speed you preselected with the speed adjustment dial.
- Pull on the left handgrip to steer your Travel Scooter to the left.
- Pull on the right handgrip to steer your Travel Scooter to the right.

## IV. OPERATION

- Move the tiller to the center position to drive straight ahead.
- To stop, slowly release the throttle control lever. The electronic brakes will automatically engage when your Travel Scooter comes to a stop.
- If equipped with iTurn Technology™, ensure your travel scooter is pivoting properly in both directions by observing the rear wheel on the side of the scooter you are turning to.

**NOTE:** *If equipped with iTurn Technology™, rapidly turning the tiller fully to one side and then the other side may result in the Travel Scooter to not operate as expected and/or a controller fault. To reset the controller, turn the tiller to the center position, then turn the key to the off position, wait 5 seconds and then turn the key to the on position.*

**NOTE:** *Your Travel Scooter's reverse speed is slower than that of the forward speed you preset with the speed adjustment dial.*

### GETTING OFF OF YOUR TRAVEL SCOOTER

1. Bring your Travel Scooter to a complete stop.
2. Remove the key from the key switch.



**WARNING!** Never attempt to get onto or off of your Travel Scooter without first removing the key from the key switch. This will prevent the Travel Scooter from moving if accidental throttle control lever contact is made.

3. Disengage the seat rotation lever and rotate the seat until you are facing toward the side of your Travel Scooter.
4. Make certain that the seat is secured into position.
5. Carefully and safely get out of the seat and stand to the side of your Travel Scooter.
6. You can leave the seat facing to the side to facilitate boarding your Travel Scooter next time.

### POWER DOWN TIMER FEATURE

Your Travel Scooter is equipped with an automatic power down timer feature designed to prevent your Travel Scooter from moving if left unattended. If you mistakenly leave the key in the “on” position but do not use your Travel Scooter for approximately 20 minutes, the Travel Scooter’s controller shuts down automatically. Although the controller is shut down, power will still be supplied to the Travel Scooter’s electrical system.

If the power down timer feature takes effect, perform the following steps to resume normal operation.

1. Remove the key from the key switch.
2. Reinsert the key and power up your Travel Scooter.

# V. COMFORT ADJUSTMENTS

## TILLER ANGLE ADJUSTMENT (See figure 24)

**WARNING!** Remove the key from the key switch before adjusting the tiller or the seat. Never attempt to adjust the tiller or the seat while the Travel Scooter is in motion.



**WARNING!** Prior to operating the scooter, push and pull on the tiller to ensure that the angle adjustment mechanism is secure. Inspect the tiller adjustment knob and the angle adjustment mechanism to ensure that they are fully engaged. If there is movement in the tiller, check to make sure that the tiller adjustment knob is fully tightened.

**NOTE:** In order to fully lower the tiller, you must first remove the seat and battery pack. Remove the seat by pulling it straight up and off of the Travel Scooter.

## SEAT ROTATION ADJUSTMENT

The seat rotation lever, located on the right side of the seat base, secures the seat into several positions. See figure 25.

1. Pull up on the seat rotation lever to disengage the seat.
2. Rotate the seat to the desired position.
3. Release the lever to secure the seat into place.

## ARMREST WIDTH ADJUSTMENT

The armrest width can be adjusted inward or outward.

1. Loosen the armrest adjustment knobs. See figure 25.
2. Use the attached ring to pull and remove the detent pins.
3. Slide the armrests in or out to the desired width.
4. Align the adjustment holes on the seat frame and armrest, then reinsert the detent pins.
5. Tighten the armrest adjustment knobs.

**NOTE:** Pivot the armrests upward to aid in getting onto and off of your Travel Scooter.

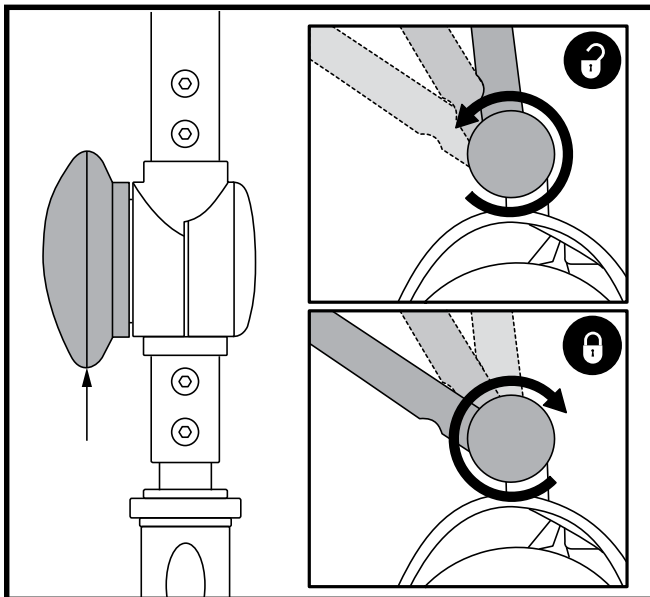


Figure 24. Tiller Adjustment Knob

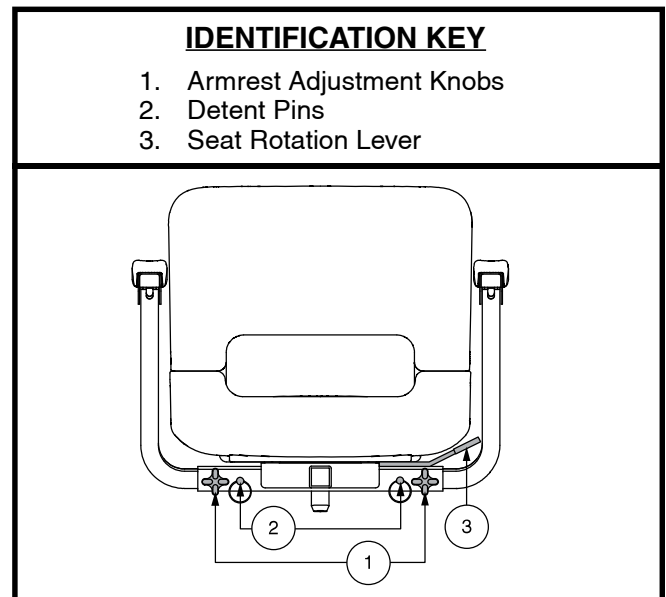


Figure 25. Seat Adjustments

# V. COMFORT ADJUSTMENTS

## SEAT HEIGHT ADJUSTMENT

The seat can be repositioned to different heights. See figure 26.

1. Remove the seat and battery pack from your Travel Scooter.
2. Use the attached ring to pull and remove the detent pin from the lower seat post.
3. Raise or lower the upper seat post to the desired seat height.
4. While holding the upper seat post at that height, align the adjustment holes of the upper and lower seat posts.
5. Fully insert the detent pin.
6. Replace the battery pack and seat.

**NOTE:** If equipped, the under-seat storage feature must be removed to obtain a seat height of 16.5 inches (41.9 cm) or less. Refer to “Under-seat Storage” for more information.

**NOTE:** If your Travel Scooter is equipped with underseat storage, the seat lever is on the front, center of the the seat.

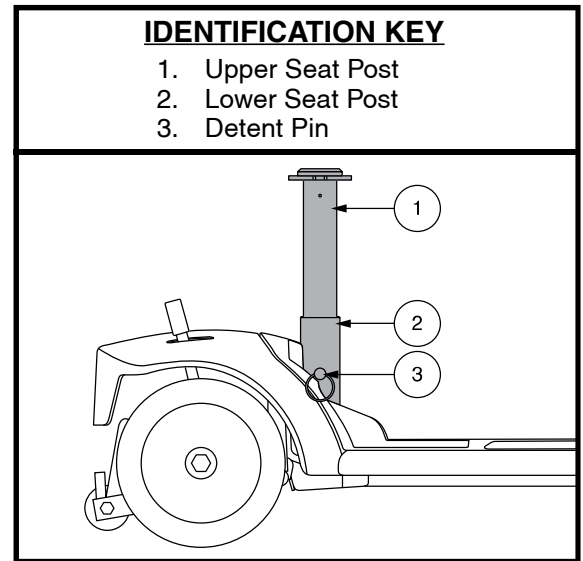


Figure 26. Seat Height Adjustment

# V. COMFORT ADJUSTMENTS

## SEAT SUSPENSION ADJUSTMENT (IF EQUIPPED)

The seat post acts as a shock absorber and can be adjusted for different degrees of ride comfort. Use the setscrews that are visible through the adjustment window on the side of the post as a guide when making adjustments. Slide the rubber boot towards the top of the post to expose the setscrews. See figure 27.

### To make seatpost adjustments:

1. Remove the seat from the Travel Scooter.
2. Remove the upper seat post from the Travel Scooter by removing the detent pin from the lower portion of the seat post, then lifting the post straight up and off the Travel Scooter. See figure 26.
3. Insert a 13 mm socket with an extension into the bottom of the post. See figure 27.
4. Rotate clockwise to soften the ride or rotate counterclockwise to stiffen the ride.
5. Reinstall the seat post and seat.

## UNDER-SEAT STORAGE (IF EQUIPPED)

### To operate under-seat storage:

1. Lift up slightly on the latch on the side of the under-seat storage bin (see figure 28) and swing the under-seat storage bin out and away from the Travel Scooter.
2. To close the under-seat storage bin, push the under-seat storage bin toward the center of the Travel Scooter until you hear the latch engage.



**WARNING!** Ensure both under-seat storage bins are latched prior to operating your travel scooter.

### To remove the under-seat storage:

1. Lift up slightly on the latch on the side of the under-seat storage bin (see figure 28) and swing the under-seat storage bin out and away from the travel scooter until it is fully open.
2. Lift the under-seat storage bin up and off the Travel Scooter.

### To install the under-seat storage:

1. Align the slot on the under-seat storage bin over the securement post.
2. Lower the under-seat storage pin onto the securement post and push the under-seat storage bin toward the center of the Travel Scooter until you hear the latch engage.

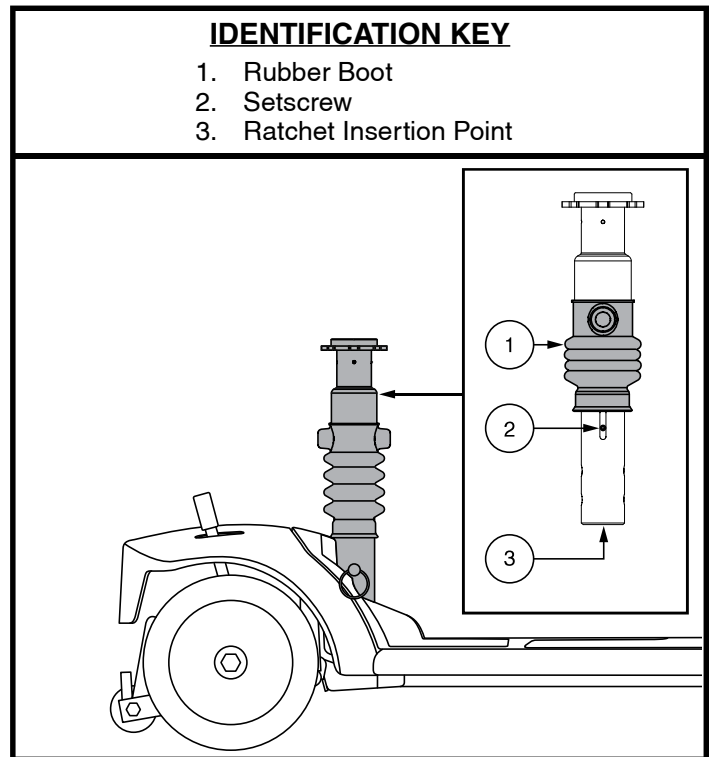


Figure 27. Seat Suspension Adjustment

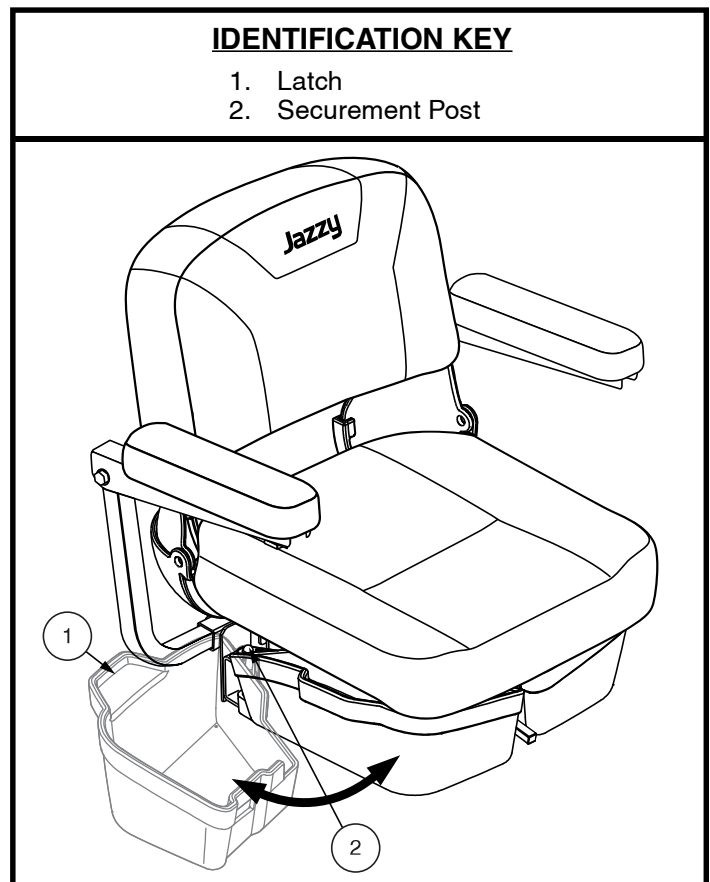


Figure 28. Under-seat Storage

# V. COMFORT ADJUSTMENTS

## POSITIONING BELT (OPTIONAL)

Your scooter seat may be equipped with an auto-type positioning belt that can be adjusted for operator comfort. See figure 30. The positioning belt is designed to help support the operator so that he or she does not slide down or forward in the seat. The positioning belt is not designed for use as a restraining device.



**WARNING!** The positioning belt should be secured at all times. Never allow the positioning belt to hang or drag on the floor as it may become entangled.

### To install the positioning belt (if required):

1. Remove the seat from your scooter.
2. Place the seat upside down so that you can see the bottom of the seat base. See figure 29.
3. Use a wrench to remove the two rear bolts on the outermost part of the seat frame.
4. Insert the bolt through the appropriate ends of the positioning belt and then reinstall the bolts back into the seat frame.
5. Tighten the bolts.

### To adjust the positioning belt for operator comfort:

1. Insert the metal tab on the right side of the belt into the plastic housing on the opposite strap until you hear a “click.” See figure 30.
2. Pull the strap on the right side of the belt until it is secure, but not so tight as to cause discomfort.

### To release the positioning belt:

1. Press the push button mechanism on the plastic housing.

**MANDATORY!** Make sure the positioning belt is properly secured to the scooter and is adjusted for operator comfort before each use.



**MANDATORY!** Inspect the positioning belt for loose parts or damage, including tears, worn spots, bent hardware, or damaged latch mechanisms, dirt or debris, before each use of the scooter. If you discover a problem, contact your authorized Provider for maintenance and repair.

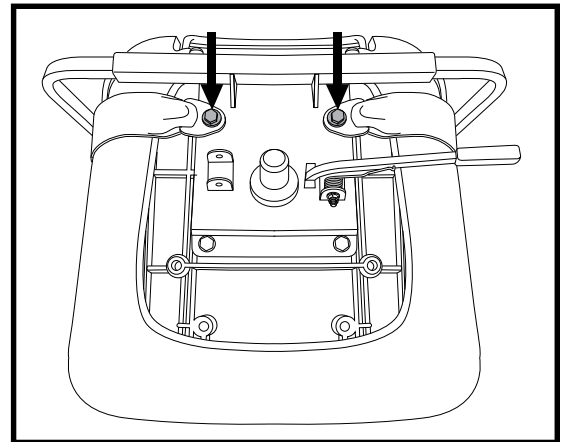


Figure 29. Positioning Belt Bolts

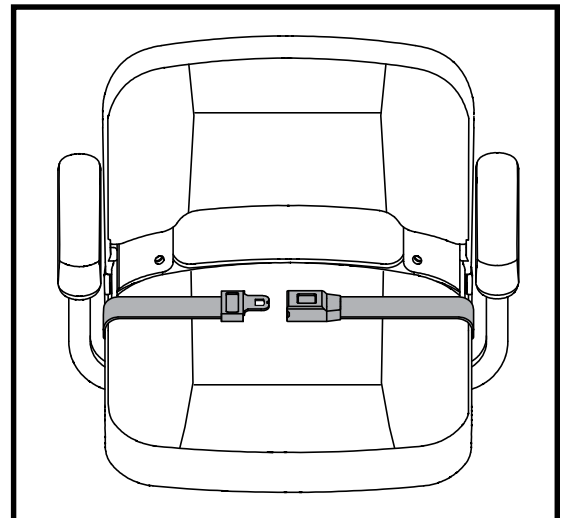


Figure 30. Positioning Belt - Metal Tab Style

# VI. DISASSEMBLY AND ASSEMBLY

## DISASSEMBLY

You can disassemble the Travel Scooter into several pieces: the seat, the under-seat storage, the rear section, the front section, the basket, the battery pack, and the battery shroud (models 83 and 84 only). See **figure 31**. No tools are required to disassemble or assemble your Travel Scooter. Always disassemble or assemble your Travel Scooter on a level, dry surface with sufficient room for you to work and move around—about 5 feet (1.5 meters) in all directions. Remember that some Travel Scooter components are heavy and you may need assistance when lifting them.



**WARNING! Do not lift weight beyond your physical capability. Ask for assistance when necessary while disassembling or assembling your Travel Scooter.**

**WARNING! Do not pick up the seat frame or scooter by the armrests. They are free to pivot, and you may lose control of the seat if they do so.**

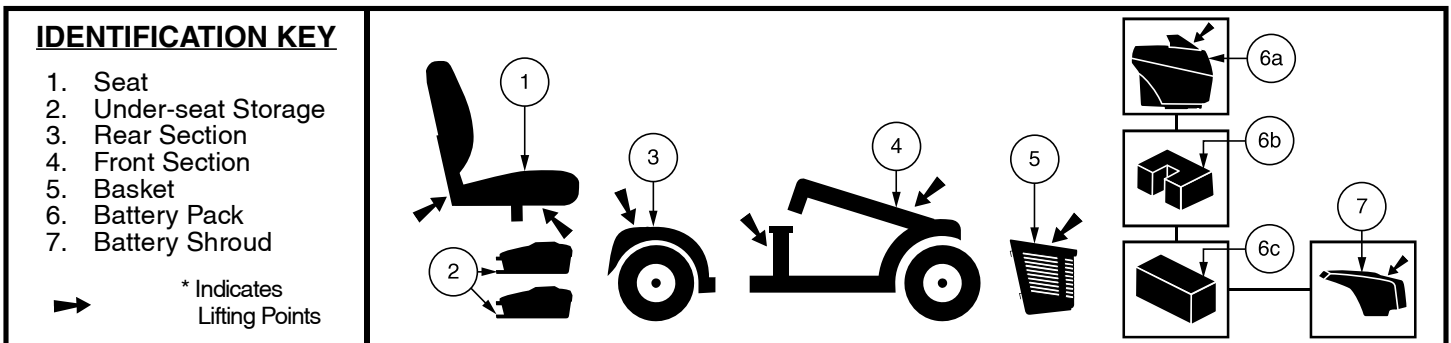


Figure 31. Disassembled Travel Scooter

## DISASSEMBLY PROCEDURES - MODELS 29, 36, 336, 83, AND 84

To disassemble your scooter:

1. Remove the key from the key switch.
2. Lock the tiller in the straight ahead position by pushing the tiller lock knob in and turning it clockwise 90°. See **figure 32**. The front wheel must face forward in order to lock the tiller.
3. Remove the seat by lifting it straight up and off of the Travel Scooter. If you encounter resistance when removing the seat, disengage the seat rotation lever and swivel the seat back and forth while lifting up on the seat.
4. Remove the rear shroud by lifting it straight up and off of the Travel Scooter. (Models 83 and 84 only).
5. Disconnect the battery harness. See **figure 22**.
6. Disconnect the front-to-rear harness. See **figure 22**.
7. Disconnect the battery tie-down strap. (Models 83 and 84 only). See **figure 22**.
8. Remove the battery pack from the Travel Scooter by lifting it straight up and off of the Travel Scooter.

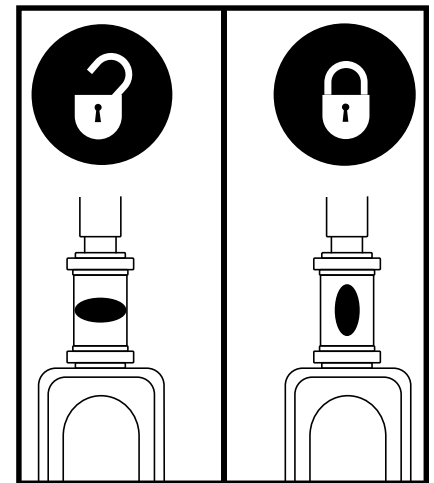


Figure 32. Tiller Lock Knob

## DISASSEMBLY PROCEDURES - MODELS AAP4, 39, 40, 44, 40LX, 40X, 44X, 40E, 44E, 44LX, 49, 50LX, 50LXLIT, 53, 53HD, 54, 54LX, 54LXLIT, 54HD, 66, 67, 73, 74, AND JAZZY ZTS

To disassemble your scooter:

1. Remove the key from the key switch and then lock the tiller in the straight ahead position by pushing the tiller lock knob in and turning it clockwise 90°. See **figure 32**. The front wheel must face forward in order to lock the tiller.
2. If equipped, remove under-seat storage. See **Figure 28**.
3. Remove the seat by lifting it straight up and off of the Travel Scooter. If you encounter resistance when removing the seat, disengage the seat rotation lever and swivel the seat back and forth while lifting up on the seat.
4. Remove the battery pack by lifting the pack straight up and off of the Travel Scooter.

**NOTE: Please check the Travel Scooter Features Table on the inside of the front cover to determine if your Travel Scooter has a frame release lever or a lock-up pin before attempting to separate the frame.**

# VI. DISASSEMBLY AND ASSEMBLY

## FRAME SEPARATION

### To separate frame:

1. With the seat and battery pack removed (see Disassembly Procedures on previous page), lower the tiller and tighten the tiller adjustment knob. See figure 24.
2. Remove the frame lock-up pin. (Models 29, 36, 336, 83, and 84 only.)
3. Lift up on the frame release lever, (**OR, lift the seat post for models 29, 36, 336, 83, and 84**) and pivot the rear section backwards, until the frame hooks are no longer resting on the lower frame tube.
4. Slowly separate the two sections of the Travel Scooter. See figure 33.

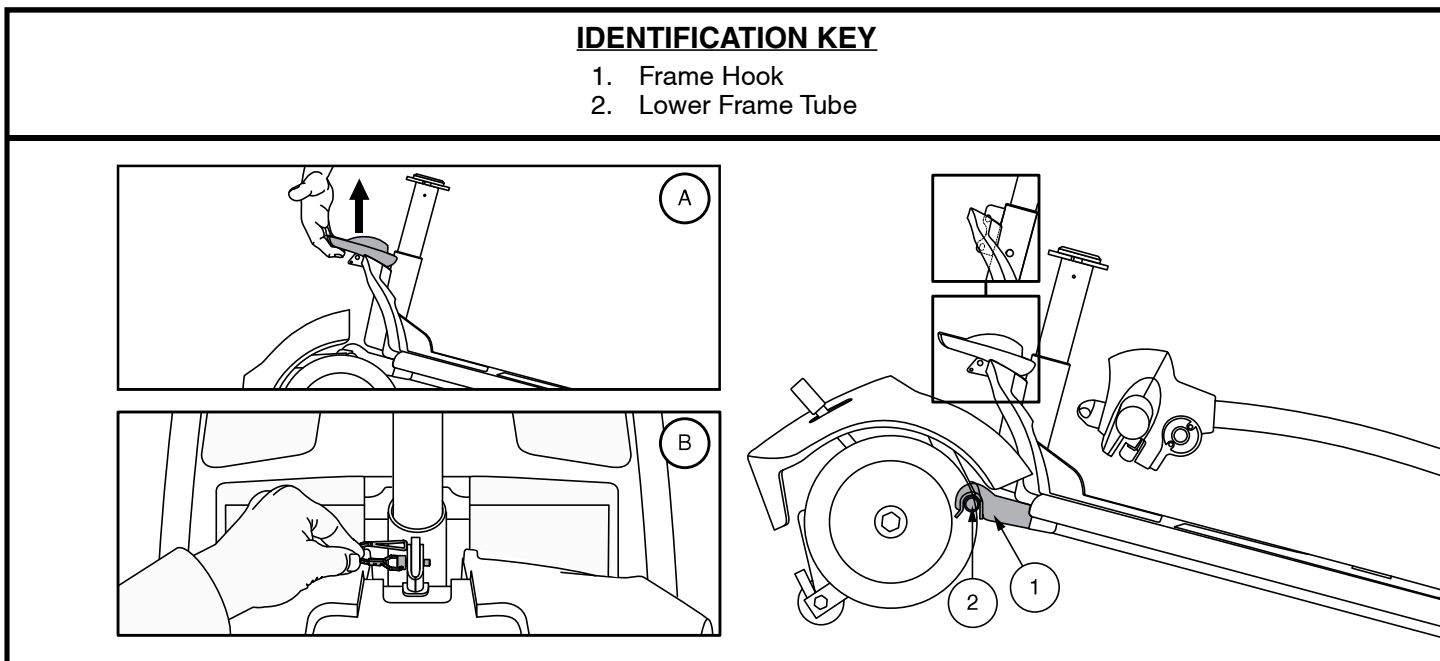


Figure 33. Frame Release Lever (Style A) and Frame Release Lock-up Pin (Style B)

## ASSEMBLY

**NOTE:** Before attempting assembly, tilt the rear half of the Travel Scooter slightly back on the anti-tip wheels as shown in figure 33.

### To assemble your scooter:

1. Use the frame release lever (or the seat post for models 29, 36, 336, 83, and 84 only) to lift the front section as you align the frame hooks of the front section with the lower frame tube of the rear section. See figure 33.
2. Once the frame hooks are over the lower frame tube, lower the front section and pivot the rear section simultaneously. This will engage the frame lock-up automatically for models AAP4, 39, 40, 44, 40LX, 40X, 44X, 40E, 44E, 44LX, 49, 50LX, 50LXLIT, 53, 53HD, 54, 54LX, 54LXLIT, 54HD, 66, 67, 73, 74, and Jazzy ZTS. For models 29, 36, 336, 83, and 84, you will also need to reinstall the frame lockup pin to complete the body assembly. See figure 33.
3. Raise the tiller and fully tighten the tiller adjustment knob. See figure 24.
4. Reinstall the battery pack. For models 29, 36, 336, 83, and 84, make sure to reconnect the battery and front-to-rear harnesses.
5. Reinstall the seat and rotate it until it is secured into place.
6. Unlock the tiller by turning the tiller lock knob 90° counterclockwise. See figure 32.
7. If equipped, install under-seat storage. See figure 28.



**WARNING!** After assembly, make absolutely certain the tiller lock knob is in the unlocked position before riding your Travel Scooter.



# VII. BASIC TROUBLESHOOTING

Any electromechanical device occasionally requires some troubleshooting. However, most of the problems that may arise can usually be solved with a bit of thought and common sense. Many of these problems occur because the batteries are not fully charged or because the batteries are worn down and can no longer hold a charge.

## DIAGNOSTIC CODES

The diagnostic codes for your Travel Scooter are designed to help you perform basic troubleshooting quickly and easily. A diagnostic code will sound and/or flash in the event one of the conditions listed below develops. Depending on the model you own, your Travel Scooter will communicate by one of the coding methods as follows:

1. A diagnostic code will begin, depending on model, with a series of fast beeps and/or flashes directly followed by slower beeps and/or flashes which indicates the actual code. The code is only beeped and/or blinked once. To repeat the diagnostic code, remove the key, then reinsert it and turn it to the “on” position, **OR**
2. A diagnostic code will identify the condition, pause, then repeat the code. The diagnostic code will continue to alert you in this manner until the scooter is turned off.

**NOTE:** *Your Travel Scooter will not run unless the diagnostic code condition is resolved and the Travel Scooter has been turned off, then turned back on.*

DIAGNOSTIC CODE	CONDITION	SOLUTION
■ (1)	Battery voltage is too low to operate the Travel Scooter.	Charge batteries as soon as possible.
■ ■ (2)	Battery charge is too low.	Charge batteries.
■ ■ ■ (3)	The Travel Scooter’s battery voltage is too high to operate the scooter, or the charger is still connected to the off-board charger port.	Unplug charger and/or turn key off, then back on again. If traveling down a slope, reduce Travel Scooter speed to the minimum setting.
■ ■ ■ ■ (4)	Current limit time out.	Turn the Travel Scooter off for a few minutes, then turn your Travel Scooter back on.
■ ■ ■ ■ ■ (5)	The manual freewheel lever is in the (forward) freewheel position.	Remove the key from the key switch, then push the manual freewheel lever to the drive (rearward) position and restart your Travel Scooter.
■ ■ ■ ■ ■ ■ (6)	Throttle control lever not at center position at start up.	Verify that the batteries are fully charged. If the batteries are fully charged, then return the throttle control lever to center position, turn Travel Scooter off then back on.
■ ■ ■ ■ ■ ■ ■ (7)	Speed pot error.	Contact your authorized Provider for assistance.
■ ■ ■ ■ ■ ■ ■ ■ (8)	Motor volts error.	Contact your authorized Provider for assistance.
■ ■ ■ ■ ■ ■ ■ ■ ■ (9)	Other internal errors.	Contact your authorized Provider for assistance.

### What if my Travel Scooter does not move when I press the throttle control lever?

- When the manual freewheel lever is pushed forward, the brakes are disengaged and all power to the motor/transaxle assembly is cut.
- Pull back on the manual freewheel lever, turn the Travel Scooter off, and then back on to return to normal operation.

# VII. BASIC TROUBLESHOOTING

EN

## What if all the systems on my Travel Scooter seem to be “dead”?

- Make certain that the key is in the “on” position.
- Check that the batteries are fully charged.
- Push in the main circuit breaker reset button. See II. “Your Travel Scooter.”
- Make certain that the battery pack is seated properly.
- Make certain that the battery and front-to-rear harnesses are connected properly (Models 29, 36, 336, 83, and 84 only).
- Be sure the power down timer feature has not been activated. See IV. “Operation.”
- Check the tiller console fuse located under the battery pack.

### To check a fuse:

1. Remove the fuse by pulling it out of its slot.
2. Examine the fuse to be sure it is blown. See figure 34.
3. Insert a new fuse of the proper rating.



**WARNING! The replacement fuse must exactly match the rating of the old fuse. Failure to use properly rated and approved fuses may cause damage to the electrical system.**

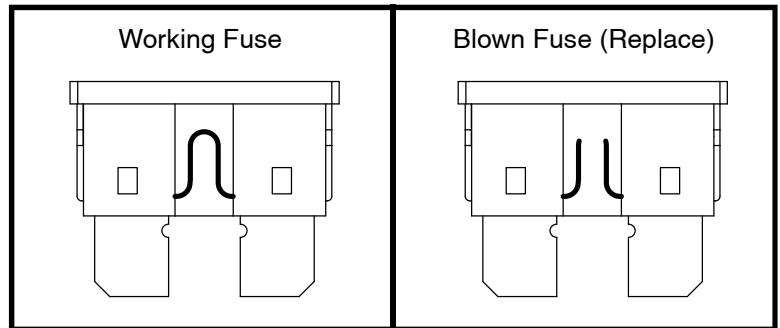


Figure 34. Fuse Replacement

## What if the Travel Scooter’s batteries won’t charge?

- Check the fuse located on the battery pack or the console. Replace if necessary.
- During the charging process, if the charger LEDs never indicate a full charge, check the fuse located on the battery pack or the console. Replace if necessary, or have your authorized Provider or qualified technician check and/or replace the fuse.
- Ensure both ends of the charger power cord are connectly properly.
- If the battery pack fuse continually blows, contact your authorized Provider for service.

## What if the main circuit breaker repeatedly trips?

- If the main circuit breaker trips repeatedly, see your authorized Provider for service.
- Charge the Travel Scooter’s batteries more frequently. See III. “Batteries and Charging.”
- See III. “Batteries and Charging” or “Product Specifications Sheet” for information about your Travel Scooter’s battery type.

## What if the battery condition meter dips way down and the motor surges or hesitates when I press the throttle control lever?

- Fully charge your Travel Scooter’s batteries. See III. “Batteries and Charging.”

If you experience any problems with your Travel Scooter that you are not able to solve, immediately contact your authorized Provider for information, maintenance, and service.

# VIII. CARE AND MAINTENANCE

Your Travel Scooter requires a minimal amount of care and maintenance. If you do not feel confident in your ability to perform the maintenance listed below, you may schedule inspection and maintenance at your authorized Provider. The following areas require periodic inspection and/or care and maintenance.

## TIRES

Regularly inspect your Travel Scooter's tires for signs of damage or wear.

## WHEEL REPLACEMENT

Your Travel Scooter is equipped with solid tire inserts. If you have a damaged or worn tire, the entire wheel must be replaced. Contact your authorized Provider for information regarding replacement wheels for your Travel Scooter.

**WARNING! Wheels on your Travel Scooter should only be serviced/replaced by a qualified technician.**



**WARNING! Be sure that the key is removed from the key switch and the scooter is not in freewheel mode before performing this procedure.**

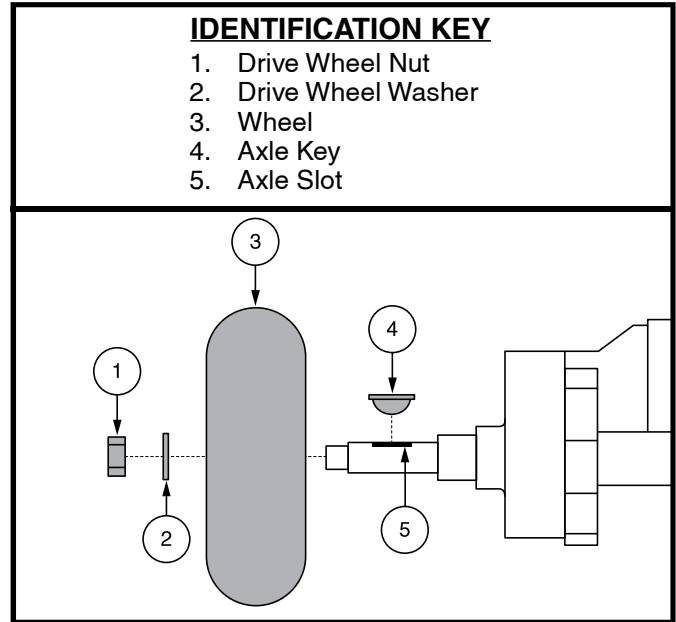


Figure 35. Wheel Replacement

Follow these easy steps for a quick and safe repair for solid tires:

1. Remove the key from the key switch and ensure your Travel Scooter is not in freewheel mode.
2. Elevate the side of the Travel Scooter of which you are removing the tire. Place wooden blocks under the frame to elevate the Travel Scooter.
3. Remove the drive wheel nut and washer from the axle. See figure 35.
4. Pull the wheel off the axle.
5. Slide the new wheel onto the axle. Make sure the the axle key is in the axle slot.



**WARNING! Ensure that the axle key is properly installed into the axle slot when mounting the wheel. If not installed securely, the braking system is disengaged which may cause personal injury and/or product damage may result.**

6. Reinstall the washer and drive wheel nut onto the axle and tighten.



**WARNING! Make sure that both the nut and washer are reinstalled and tightened properly.**

7. Remove the blocks from beneath the Travel Scooter.

## EXTERIOR SURFACES

Bumpers, tires, and trim can benefit from an occasional application of a rubber or vinyl conditioner.



**WARNING! Do not use a rubber or vinyl conditioner on the Travel Scooter's vinyl seat or tire tread. They will become dangerously slippery.**

## VIII. CARE AND MAINTENANCE

### CLEANING AND DISINFECTION

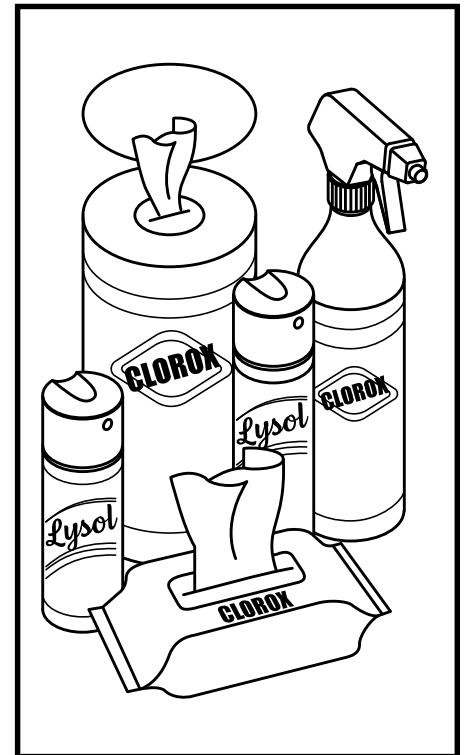
Precautions must be taken when cleaning equipment/devices to lower the risk of spreading infection. This is to limit the spread of illness and other potentially infection material (OPIM) (blood components).

- Use a damp cloth and mild, non-abrasive cleanser to clean the plastic and metal parts of your scooter. Avoid using products that may scratch the surface of your scooter.
- If necessary, clean your product with an approved disinfectant. Make sure the disinfectant is safe for use on your product before application.

### HOW TO CLEAN/DISINFECT EQUIPMENT:

**HARD/SOFT SURFACES** (Plastic shrouds, metal framing, seat fabric, tires, armrests and footplate mats, as applicable)

- For hard/soft surfaces, remove visible contamination if present.
  - For plastic and metal use Lysol®/Clorox® disinfecting spray/wipes and other qualified SARS-CoV-2 disinfecting products.
  - For other vinyl surfaces, clean with vinyl safe disinfecting wipes or solutions.
    - Suggested Disinfectants
      - Birex® SE Disinfectant, Bleach-Rite® Disinfecting Spray, Citrace® Germicide
      - Dispatch® Spray Hospital Cleaner Disinfectant with Bleach
      - Diluted Bleach Solution (10% dilution or less);  
Note: Bleach with pH factor between 7 and 9 is suitable; a product with a pH of 10.5 or higher may damage the vinyl surface integrity over an extended period of time.
    - Disinfecting Wipes
      - Clorox, Green Works, PDI Sani-Cloth HB Wipes
      - Lysol, Oxivir, Virox, and CaviWipes.
  - For Tire cleaning, clean with off the shelf tire/wheel cleaners



**ELECTRONICS** (Joystick controller, enhanced displays, touch screens, remote controls, keyboards, cell phones and tablets, as applicable)

- For electronics, remove visible contamination if present.
  - Turn off device and disconnect batteries.
  - Never spray any liquids directly into the product(s).
  - Moisten a microfiber cloth with a mixture of 70% isopropyl alcohol/30% water solution. The cloth should be damp, but not dripping or excessively wet. Dry surfaces thoroughly to avoid pooling of liquids and prior to boxing.

**WARNING! Follow all safety instructions for the proper use of the disinfectant and/or cleaning agent before applying it to your product. Failure to comply may result in skin irritation or premature deterioration of upholstery and/or Travel Scooter finishes.**



**WARNING! Never hose off your Travel Scooter or place it in direct contact with water. Your Travel Scooter has a painted, ABS plastic body shroud that allows it to be easily wiped clean with a damp cloth.**

**WARNING! Never use any chemicals to clean a vinyl seat, as they may cause the seat to become slippery or dry out and crack. Use soapy water and dry the seat thoroughly.**

# VIII. CARE AND MAINTENANCE

## BATTERY TERMINAL CONNECTIONS

Make certain that the terminal connections remain tight and are not corroded.

## WIRING HARNESESSES

- Regularly check all wiring connections.
- Regularly check all wiring insulation, including the charger power cord, for wear or damage.
- Have your authorized Provider repair or replace any damaged connector, connection, or insulation that you find before using your Travel Scooter again.



**PROHIBITED!** Even though the Travel Scooter has passed the necessary testing requirements for ingress of liquids, you should keep electrical connections away from sources of dampness, including direct exposure to water or bodily fluids and incontinence. Check electrical components frequently for signs of corrosion and replace as necessary.



**WARNING!** Do not pull on electrical harnesses directly to detach them from the scooter. Always grasp the connector itself when disconnecting the harness to prevent wire damage.

## DAILY CHECKS

- With the power turned off, check the throttle. Make sure it is not bent or damaged and that it returns to the neutral position when you release it. Do not try to repair it. See your authorized provider if there is a problem.
- Visually inspect the tiller cable. Make sure that it is not frayed, cut, or has any wires exposed. See your authorized Provider if there is a problem.
- Check for flat spots on solid tires. Flat spots could adversely affect stability.
- Inspect the armrests for loose hardware, stress points, or damage. See your authorized Provider if there is a problem.
- Check the brakes. This test should be carried out on a level surface with at least 3 feet (1 meter) of clearance around your scooter.

### To check the brakes:

1. Turn on the power and turn down the speed level of your Travel Scooter.
2. After one second, check the battery condition meter. Make sure that it remains on.
3. Slowly pull the throttle forward until you hear the electric brakes click. Immediately release the throttle. You must be able to hear the electrical brake operating within a few seconds of throttle movement. Repeat this test by pulling the throttle in the opposite direction.

## WEEKLY CHECKS

- Inspect the controller and charger connectors for corrosion. Contact your authorized Provider if necessary.

## MONTHLY CHECKS

- Check that the anti-tip wheels do not rub the ground when you operate the Travel Scooter.
- Check for extreme wear on the anti-tip wheels. Replace them as necessary.
- Check for tire wear. See your authorized Provider for repair.
- Keep your Travel Scooter clean and free of foreign material, such as mud, dirt, hair, food, drink, etc.

## YEARLY CHECKS

Take your Travel Scooter to your authorized Provider for yearly maintenance, especially if you use your Travel Scooter on a daily basis. This helps ensure that your Travel Scooter is functioning properly and helps prevent future complications.

## VIII. CARE AND MAINTENANCE

### ABS PLASTIC SHROUDS

If your Travel Scooter has a body shroud with a **glossy finish**, the body shroud has been sprayed with a clear sealant coating. You can apply a light coat of car wax to help it retain its high-gloss appearance. If your Travel Scooter has a body shroud with a **matte finish**, use **ONLY** products developed for matte-finish paint. Do not use wax, detail spray, ArmorAll®, or any product made for glossy paint.



**WARNING! Carefully choose the correct product to protect the finish of your Travel Scooter's shroud(s). ONLY products developed for matte-finish paint should be used on shrouds with a matte finish. Failure to follow this warning may result in damage to the shroud's matte paint finish.**

### AXLE BEARINGS AND THE MOTOR/TRANSAXLE ASSEMBLY

These items are all prelubricated, sealed, and require no subsequent lubrication.

### CONSOLE, CHARGER AND REAR ELECTRONICS

- Keep these areas free of moisture.
- Allow these areas to dry thoroughly if they have been exposed to moisture before operating your Travel Scooter again.

### NYLON LOCK NUT REPLACEMENT

Any nylon insert lock nut removed during the periodic maintenance, assembly, or disassembly of the Travel Scooter must be replaced with a new nut. Nylon insert lock nuts should not be reused as it may cause damage to the nylon insert, resulting in a less secure fit. Replacement nylon insert lock nuts are available at local hardware stores or through your authorized Provider.

### STORING YOUR TRAVEL SCOOTER

If you plan on not using your Travel Scooter for an extended period of time, it is best to:

- Fully charge its batteries prior to storage.
- Remove the battery pack from the Travel Scooter.
- Store your Travel Scooter in a warm, dry environment.
- Avoid storing your Travel Scooter where it will be exposed to temperature extremes.
- Although your Travel Scooter can withstand short-term storage temperatures between -40°F (-40°C) to 149°F (65°C), it is recommended that long-term storage temperatures be between -13°F (-25°C) and 122°F (50°C). Ideal storage conditions are 68°F (20°C) to 70°F (21°C) wherever possible, but we realize that is not always feasible due to different climates and environments.

Batteries that are regularly and deeply discharged, infrequently charged, stored in extreme temperatures, or stored without a full charge may be permanently damaged, causing unreliable performance and limited service life. It is recommended that you charge the Travel Scooter batteries periodically throughout periods of prolonged storage to ensure proper performance.



**WARNING! Always protect batteries from freezing temperatures and never charge a frozen battery. Charging a frozen battery can result in damage to the battery.**

For prolonged storage, you may wish to place several boards under the frame of your Travel Scooter to raise it off of the ground. This takes the weight off the tires and reduces the possibility of flat spots developing on the areas of the tires contacting the ground.

### DISPOSAL OF YOUR TRAVEL SCOOTER

Your Travel Scooter must be disposed of according to applicable local and national statutory regulations. Contact your local waste disposal agency or authorized Provider for information on proper disposal of packaging, metal frame components, plastic components, electronics, batteries, neoprene, silicone, and polyurethane materials.



**WARNING! Plastic bags are a suffocation hazard. Dispose of plastic bags properly and do not allow children to play with them.**

# NOTES

EN

# NOTES





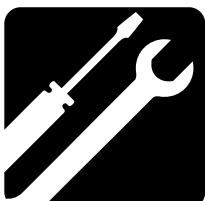
MONTAGE



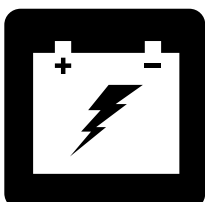
FONCTIONNEMENT



CONFORT



ENTRETIEN



RECHARGE DES BATTERIES




# TRAVEL SCOOTER SERIE

MANUEL DE L'UTILISATEUR

---

# TABLE DES CARACTÉRISTIQUES DU TRAVEL SCOOTER

Model	Style de console							Style de batterie					Recharge des batteries			Style de châssis verrouillé			Les Options *			
	A	B	C	D	E	F	G	A	B	C	D	E	Unité allumée	Unité éteinte	A (Lever de déverrouillage)	B (Goupille de verrouillage)	Mât suspension du siège	Phares	Panneaux de couleurs interchangeables			
 AAP4							•	•					•	•								
29	•								•				•	•								
36	•								•				•	•								
336	•								•				•	•								
39		•						•					•	•								
40		•						•					•	•					•			
44							•						•	•					•			
40X	•							•					•	•								
44X	•							•					•	•								
40E								• AU only					•	•					•			
44E								• AU only					•	•					•			
40LX				•				•					•	•			•		•			
44LX				•				•					•	•			•		•			
49		•						•					•	•								
50LX				•				•				•	•	•				•	•			
54LX				•				•				•	•	•				•	•			
50XLIT				•				•				•	•	•				•	•			
54XLIT				•				•				•	•	•				•	•			
53				•				•					•	•				•	•			
53HD								•					•	•				•	•			
54				•				•					•	•				•	•			
54HD				•				•					•	•				•	•			
66						•		•					•	•				•	•			
67						•		•					•	•				•	•			
73				•				•					•	•			•	•	•			
74				•				•					•	•			•	•	•			
83		•						•			•		•	•				•	•			
84		•						•			•		•	•				•	•			
Jazzy ZTS					•			•					•	•				•	•			

\*NOTE: Les options du Travel Scooter varient par pays. Veuillez contacter votre fournisseur pour déterminer quelles options sont disponibles pour votre Travel Scooter.

# CONSIGNES DE SECURITE



**MISE EN GARDE!** Votre détaillant autorisé ou un technicien qualifié doit faire le montage initial de ce Travel Scooter et suivre toutes les procédures énumérées dans ce manuel.

Les symboles suivants sont utilisés tout au long de ce manuel pour identifier les mises en garde et moments d'attention particulière. Il est important de les comprendre et de les suivre à la lettre.



**MISE EN GARDE!** Indique une condition/situation potentiellement dangereuse. Vous devez respecter les consignes sous peine de vous blesser, de causer des dommages ou un mauvais fonctionnement. Ce pictogramme apposé sur le produit est de couleur noire sur un triangle jaune avec bordure noire.



**OBLIGATOIRE!** Ces actions doivent être exécutées selon les consignes sous peine de vous blesser, et/ou d'endommager l'appareil. Ce pictogramme apposé sur le produit est de couleur blanche avec un point bleu et bordure blanche.



**INTERDIT!** Ces actions sont interdites. Vous ne devez sous aucune considération, entreprendre ces actions. Ces actions peuvent entraîner des blessures et/ou dommages à votre équipement. Ce pictogramme apposé sur le produit est de couleur noire avec un rond rouge et barre rouge.

*NOTE: Veuillez-vous familiariser avec le numéro du modèle de votre Travel Scooter. Le numéro peut être trouvé sur la feuille de spécifications du produit dans le paquet du propriétaire. Tout au long de ce manuel, les attributs du scooter sont identifiés par le numéro du modèle (colonne à l'extrême gauche du tableau des caractéristiques du Travel Scooter). Sachant que le numéro du modèle de votre appareil vous aidera à déterminer les caractéristiques uniques de votre Travel Scooter.*

## UTILISATION PRÉVUE

L'utilisation prévue de cet appareil Pride Mobility Products est de fournir une assistance à la mobilité aux personnes à mobilité réduite qui ont la capacité de conduire un scooter de mobilité motorisé.

## CONCERNANT L'UTILISATION D'APPAREILS FOURNIS SUR ORDONNANCE

Nos produits de mobilité et leurs composants sont disponibles à la vente au détail (« en vente libre ») ou sur ordonnance. Lorsque prescrit, l'énoncé suivant s'applique.



**MISE EN GARDE!** En vertu de la loi fédérale cet appareil ne peut être vendu que par un médecin ou sur prescription médicale ou par d'autres personnes certifiées autorisées par la loi de l'État (États-Unis uniquement) ou de la région dans laquelle ces personnes sont spécialisées dans l'utilisation ou peuvent prescrire l'utilisation de cet appareil.

*NOTE: Ce manuel a été préparé à partir des spécifications et informations disponibles au moment de sa publication. Nous réservons le droit d'apporter des changements lorsque il est nécessaire. Certains changements peuvent causer de légères variations entre les illustrations, les explications de ce manuel et l'appareil que vous avez acheté. La dernière version de ce manuel est sur notre site Internet.*

*NOTE: Ce produit répond aux exigences et respecte les directives des normes WEEE, RoHS et REACH.*

*NOTE: Ce produit conforme à la classification IPX4 (IEC 60529).*

*NOTE: Le Travel Scooter et ses composants ne sont pas fabriqués avec du latex de caoutchouc naturel. Consultez le fabricant en ce qui concerne les accessoires après-vente.*

# TABLE DES MATIERES

<b>CONSIGNES DE SECURITE .....</b>	<b>43</b>
<b>I. SECURITE .....</b>	<b>45</b>
<b>II. VOTRE TRAVEL SCOOTER .....</b>	<b>47</b>
<b>III. BATTERIES ET RECHARGE .....</b>	<b>58</b>
<b>IV. FONCTIONNEMENT .....</b>	<b>65</b>
<b>V. REGLAGES CONFORT .....</b>	<b>67</b>
<b>VI. MONTAGE ET DEMONTAGE .....</b>	<b>71</b>
<b>VII. PROBLEMES ET SOLUTIONS .....</b>	<b>73</b>
<b>VIII. SOINS ET ENTRETIEN .....</b>	<b>75</b>

# I. SECURITE

## PICTOGRAMME DE SECURITE

Les pictogrammes ci-dessous sont utilisés sur le Travel Scooter pour indiquer les actions obligatoires, mises en garde et actions prohibées. Il est très important de les lire et de bien les comprendre.

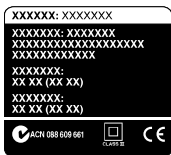
**NOTE:** Vous trouverez davantage d'avertissements identifiés et expliqués dans le guide de la sécurité du consommateur inclus avec votre scooter. Veuillez-vous familiariser avec tous les avertissements et les consignes de sécurité contenus dans le guide de la sécurité du consommateur et référez-vous souvent à cette ressource.



**Lisez et respectez les consignes et informations contenues dans ce manuel.**



**Plaques des information**



**Rechargez les batteries complètement avant l'utilisation.**

**Retirez la clé de votre Travel Scooter lorsque celui-ci est laissé sans surveillance.**



**Indique les points de fixation du Travel Scooter INOCCUPE.**



**Ce scooter n'est pas conforme à la norme ISO 7176-19 pour être occupé (personne prenant place sur le siège du scooter) pendant le transport dans un véhicule en marche. Ne vous assoyez pas dans votre Travel Scooter lorsque celui-ci est dans un véhicule en mouvement.**



**Fabriqué en**

# I. SECURITE

## CONSIGNES DE SECURITE GENERALES



**MISE EN GARDE! Ne prenez pas votre Travel Scooter pour la première fois sans avoir lu et compris les instructions et consignes de sécurité contenues dans ce manuel et le Guide de sécurité du consommateur.**

Votre Travel Scooter est un appareil dernier cri d'aide à la mobilité dans la vie quotidienne. Nous construis toute une collection de Travel Scooters afin de satisfaire les besoins de chacun. Prenez note que le choix final et la décision d'achat sont la responsabilité de l'utilisateur et du/des professionnels de la santé tels que le médecin, l'ergothérapeute etc.

Dans ce manuel, il est pris pour acquis que le Travel Scooter a été réglé par un expert en mobilité, que celui-ci a également conseillé le professionnel de la santé au sujet de l'utilisation de ce produit.

Dans certaines situations, (conditions médicales) l'utilisateur du Travel Scooter aura besoin d'aide pour acquérir l'habileté nécessaire à la conduite de son appareil. Le moniteur peut être un membre de la famille ou un professionnel de la santé qui aura reçu une formation sur l'utilisation d'un véhicule motorisé personnel comme aide à la vie quotidienne.

Lorsque vous commencerez à utiliser votre Travel Scooter, vous serez confronté à des situations qui demandent une certaine habileté. Prenez alors votre temps et procédez lentement, vous développerez de la facilité pour manoeuvrer dans les ascenseurs, ouvrir les portes, négocier les rampes d'accès et pour rouler sur des surfaces modérément difficiles.

Des informations générales complémentaires peuvent être trouvées sur les fiches et les livrets d'information supplémentaires incluses dans le paquet du propriétaire. Veuillez lire et revoir l'information entièrement, et gardez-la à portée de la main pour future référence.

Vous trouverez ci-dessous des conseils, consignes et mises en garde qui vous seront utiles afin de vous acclimater à la conduite sécuritaire du Travel Scooter.

### AVANT DE PRENDRE LA ROUTE

Apprenez à connaître les capacités et limites de votre Travel Scooter. Faites les vérifications requises avant chaque sortie pour vous assurer d'un fonctionnement sans problème et sécuritaire.

#### Inspectez les points suivants avant de prendre la route:

- Vérifiez la pression dans les pneus. Assurez-vous qu'ils ne sont pas endommagés ou excessivement usés.
- Inspectez les connexions électriques. Vérifiez qu'il n'y a pas de rouille et qu'elles soient bien serrées.
- Vérifiez le câble et les fils. Assurez-vous qu'elles soient branchées de façon sécuritaire.
- Vérifiez les freins afin de s'assurer qu'ils fonctionnent correctement.
- Vérifiez le compteur d'état de la batterie pour s'assurer que les batteries sont complètement chargées.
- Assurez-vous que la manette de déblocage manuelle est en mode d'entraînement avant de s'asseoir sur le scooter.

Si vous découvrez un problème, contactez votre détaillant autorisé pour obtenir de l'aide. Référez-vous aux informations de contact qui sont incluses dans votre paquet du propriétaire.

## II. VOTRE TRAVEL SCOOTER

### TABLEAU DE BORD

Le tableau de bord abrite toutes les commandes de fonctionnement de votre Travel Scooter incluant le contact, l'accélérateur, le klaxon, le bouton de réglage de la vitesse et la jauge à batteries. Veuillez-vous référer à la table des caractéristiques du Travel scooter qui se trouve sur la page 38 afin de déterminer quelle type de tableau de bord choisir. **Voir les figures 1 à travers 7.**



**INTERDIT! N'exposez pas le tableau de bord à l'humidité. Si le tableau venait à être mouillé, ne tentez pas d'utiliser votre Travel Scooter avant que le tableau ait été asséché à fond.**

### CLE D'IDENTIFICATION POUR FIGURES 1 A TRAVERS 7

- |   |  |
|---|--|
| 1. Klaxon   | 7. Fusible du chargeur à batteries externe |
| 2. Clé de contact   | 8. Fusible des feux et phare               |
| 3. Jauge à batteries  | 9. Commutateur des feux et phare           |
| 4. Bouton de réglage de la vitesse                            | 10. Chargeur USB                           |
| 5. Levier d'accélérateur                                      | 11. Commutateur Hi-Lo                      |
| 6. Réceptacle du cordon du chargeur (branchement du console)* |  |

\*Le réceptacle du cordon d'alimentation du chargeur (port de barre) fonctionne également comme un port de programmation dans les consoles de trame E et F (**voir les figures 5 et 6**).

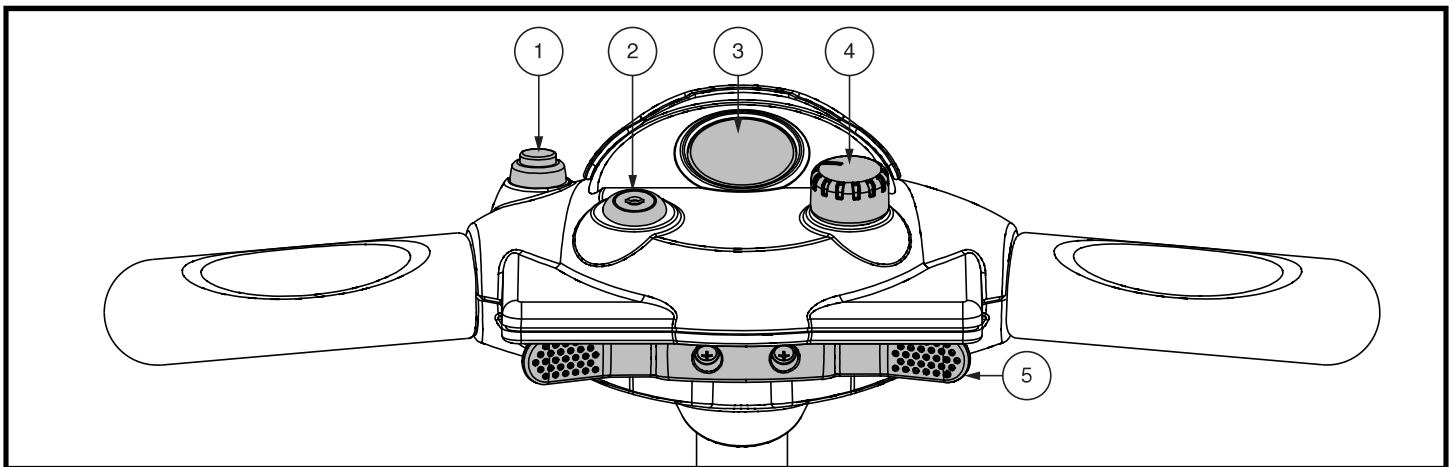


Figure 1. Tableau de bord A (Modèles 29, 36, 336, 40X, 44X)

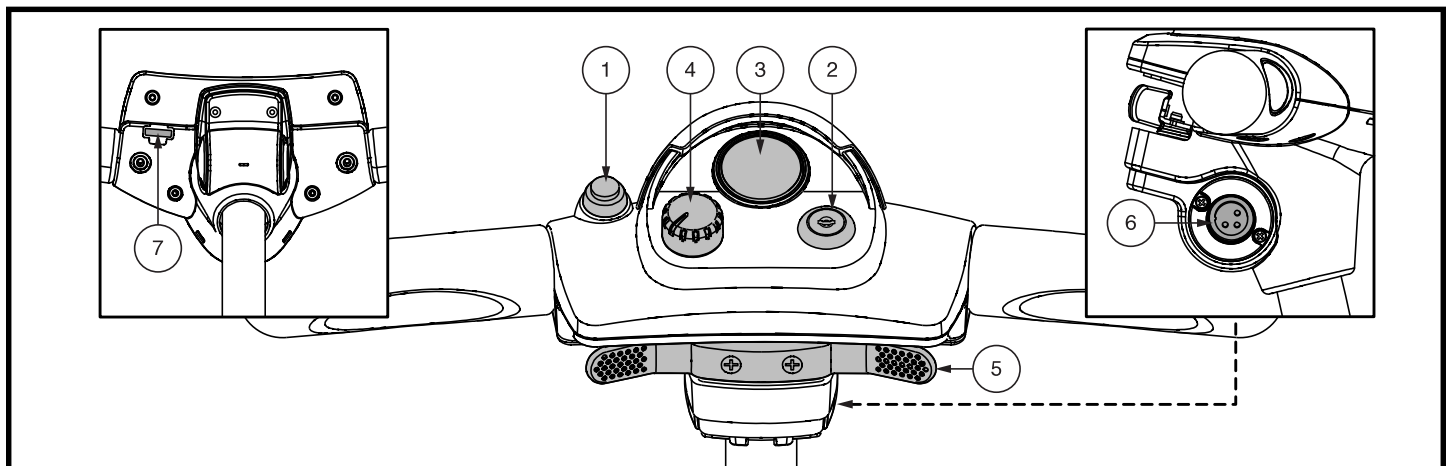


Figure 2. Tableau de bord B (Modèles 39, 40, 49, 83, 84)

## II. VOTRE TRAVEL SCOOTER

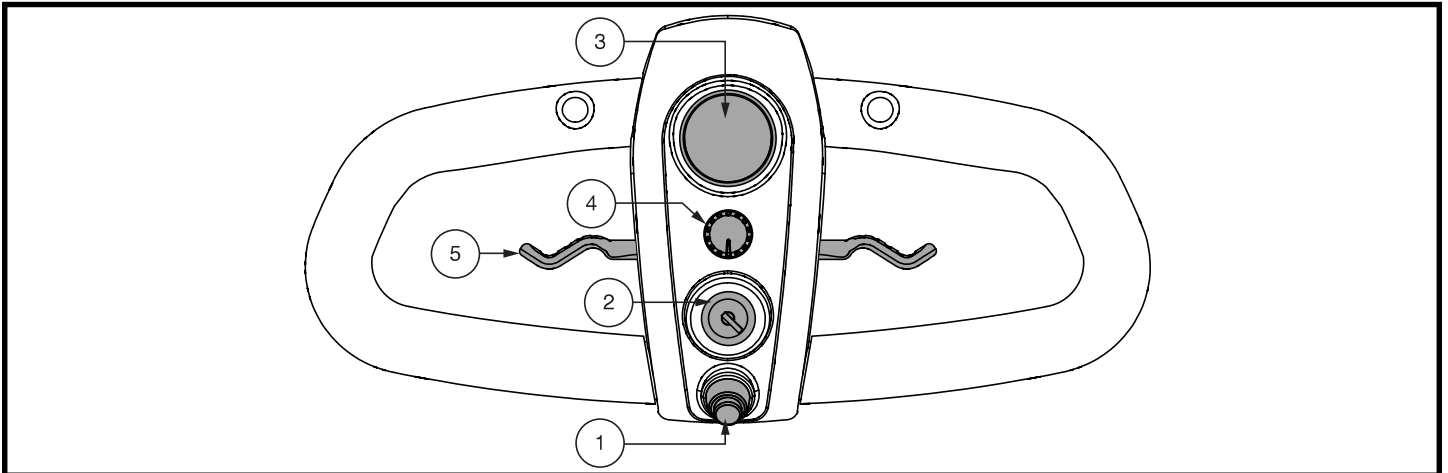


Figure 3. Tableau de bord C (Modèles 53HD, 54HD)

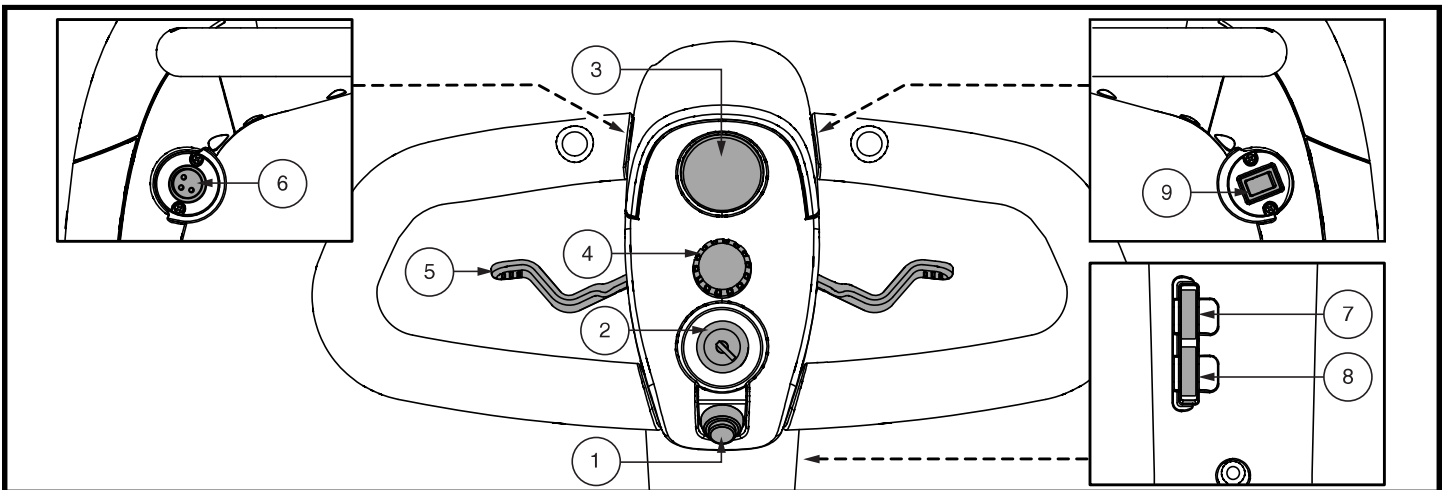


Figure 4. Tableau de bord D (Modèles 40LX, 44LX, 50LX, 50LXLIT, 53, 54, 54LX, 54LXLIT, 73, 74)

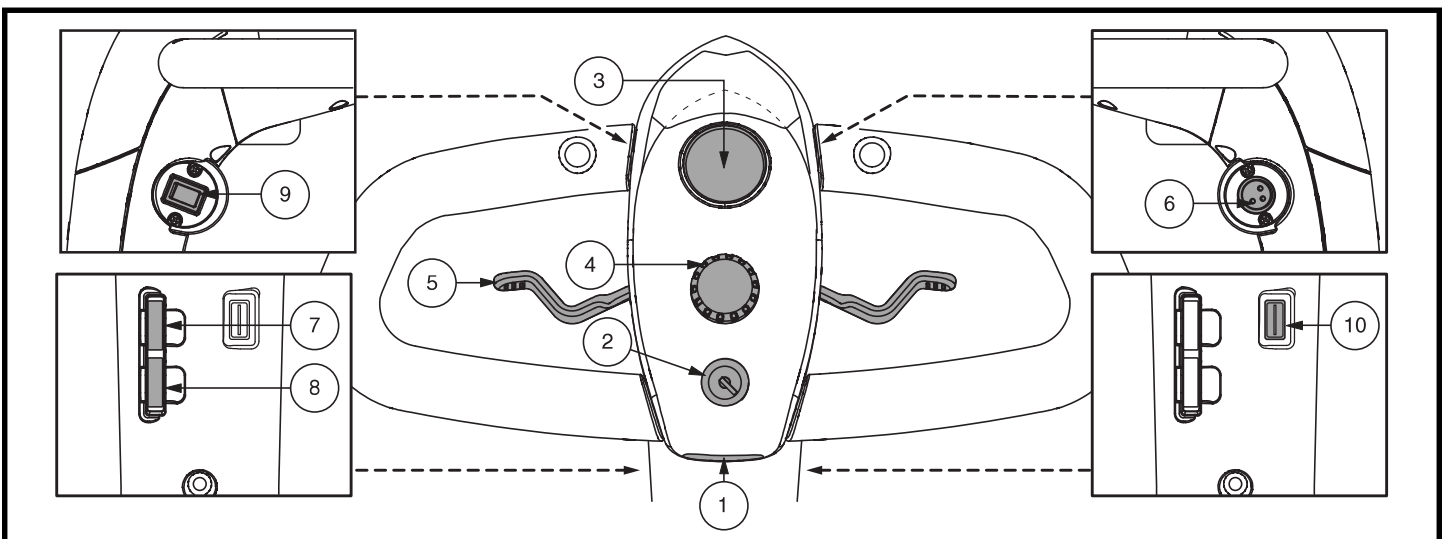


Figure 5. Tableau de bord E (Modèle Jazzy ZTS)



## II. VOTRE TRAVEL SCOOTER

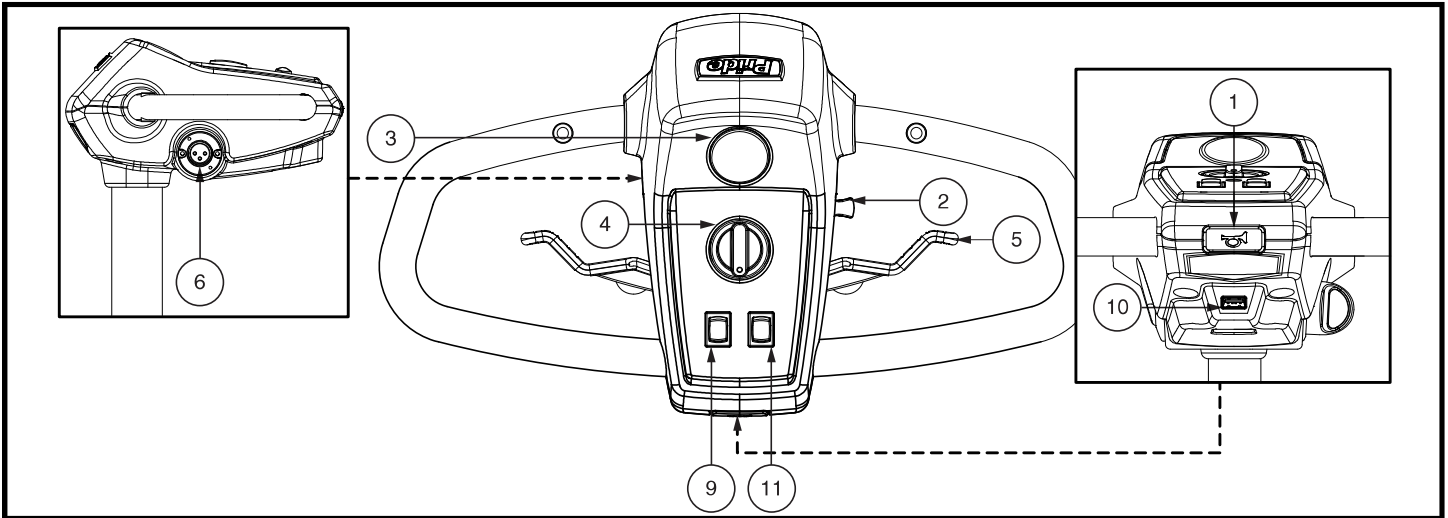


Figure 6. Tableau de bord F (Modèles 66, 67)

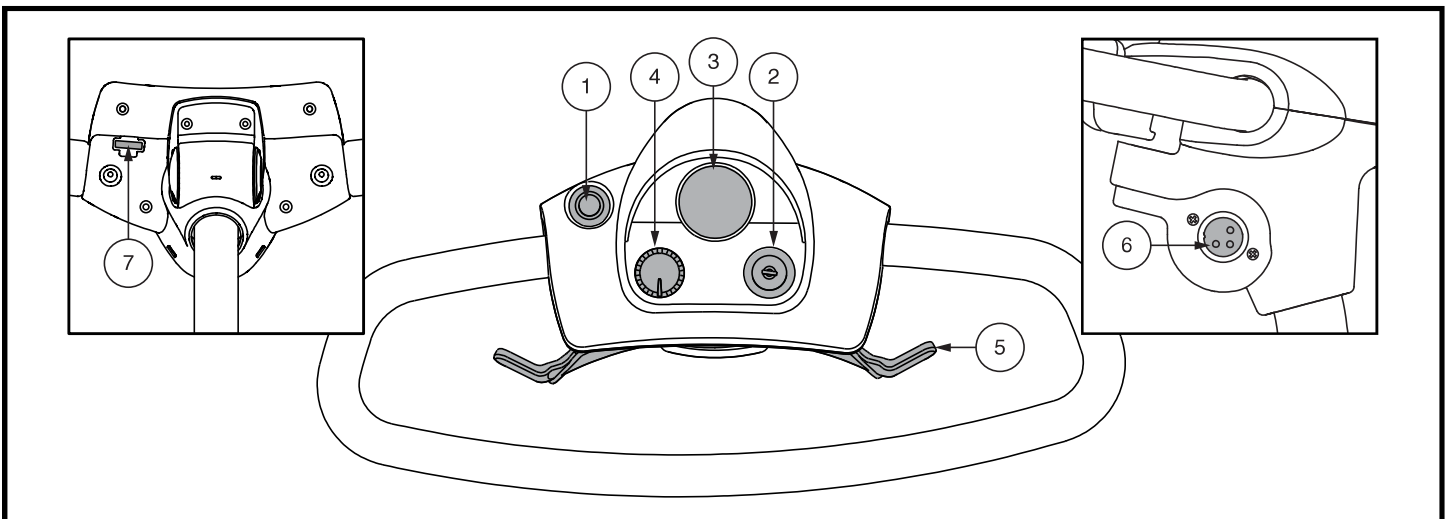


Figure 7. Tableau de bord G (Modèles AAP4, 40E, 44, 44E)

### Klaxon

Pesez sur le bouton pour klaxonner. Assurez-vous que la clé est sur le contact et que le Travel Scooter est allumé. N'hésitez pas à klaxonner si vous croyez pouvoir éviter un accident.

### Clé de contact

- Insérez la clé et tournez-la dans le sens des aiguilles d'une montre pour allumer votre Travel Scooter.
- Tournez la clé dans le sens opposé pour couper le contact de votre Travel Scooter.



**MISE EN GARDE! Lors d'une situation d'urgence, positionner l'interrupteur à clé en position OFF (arrêt) pour éteindre le scooter. Soyez prudent. Veuillez noter qu'éteindre le scooter peut provoquer un arrêt brusque du scooter. Pour libérer la condition d'urgence, arrêtez et rétablissez la capacité de conduite du scooter, relâchez le levier de commande de l'accélérateur, puis positionnez l'interrupteur à clé en position ON (marche).**

Vous pouvez laisser la clé sur le contact, cependant nous recommandons de la retirer afin de prévenir l'utilisation non autorisée de votre Travel Scooter.



**MISE EN GARDE! Si le contact est coupé alors que le Travel Scooter est en mouvement, les freins électroniques s'engageront pour stopper votre Travel Scooter abruptement!**

## II. VOTRE TRAVEL SCOOTER

### Jauge à batteries

Lorsque la clé est sur le contact et complètement enfoncée et tournez-la dans le sens des aiguilles d'une montre, la jauge affiche la quantité approximative d'énergie disponible dans les batteries. Pour de plus amples informations au sujet de la jauge à batteries, voyez la section III. "Batteries et recharge".

### Bouton de réglage de la vitesse maximale

Ce bouton vous permet de présélectionner la vitesse maximale désirée.

- L'image de la tortue représente la vitesse minimale.
- L'image du lièvre représente la vitesse maximale.

### Leviers d'accélérateur

Ces leviers commandent la marche avant ou arrière du scooter selon la vitesse maximale déterminée par le bouton de réglage de la vitesse.

***NOTE:** Les instructions d'utilisation du levier de commande d'accélérateur décrites ci-dessous s'appliquent aux scooters dans une configuration standard. Si la programmation de votre scooter a été modifiée de quelque manière que ce soit par un fournisseur, contactez-le pour obtenir des instructions sur le fonctionnement correct du niveau de papillon.*

***Pour utiliser le levier de contrôle d'accélération pour les modèles équipés avec les tableaux de bord A et B:***

- Pour rouler vers l'avant choisissez, utilisez votre pouce droit pour appuyer sur le levier droit et reculer.
- Pour rouler vers l'arrière choisissez, utilisez votre pouce gauche pour appuyer sur le levier gauche et avancer.

***Pour utiliser le levier de contrôle d'accélération pour tous les modèles équipés avec les tableaux de bord C, D, E, F, et G:***

**Pour rouler vers l'avant choisissez l'une ou l'autre de ces méthodes:**

- Utilisez votre pouce gauche pour appuyer sur le levier gauche et avancer.
- Utilisez vos doigts de la main droite pour tirer sur le levier droit et avancer.

**Pour rouler vers l'arrière choisissez l'une ou l'autre de ces méthodes:**

- Utilisez votre pouce droit pour appuyer sur le levier droit et reculer.
- Utilisez vos doigts de la main gauche pour tirer sur le levier gauche et reculer.

Relâchez le levier complètement afin que le scooter s'immobilise complètement avant d'engager le levier opposé et changer de sens de roulement. Le levier retourne de lui-même au centre pour stopper le scooter afin que les freins s'engagent automatiquement.

## II. VOTRE TRAVEL SCOOTER

### Commutateur Hi-Lo

Pour changer la vitesse maximale du scooter entre les réglages Hi/Lo. Basculer l'interrupteur vers l'avant sur (Hi) pour atteindre la vitesse maximum préprogrammée pour le scooter. Basculer l'interrupteur vers l'arrière (Low) pour atteindre la moitié de la vitesse maximum programmée pour le scooter

### Commutateur des feux et du phare (si équipé)

Pour le fonctionnement des feux et du phare. Pour tous les modèles, *à l'exception de 66 and 67, voir les figures 4 et 5.*

- Basculez le bouton vers l'avant pour allumer les feux.
- Basculez le bouton vers l'arrière pour éteindre les feux.

### Pour modèles 66 et 67 (voir la figure 6):

- Basculez le bouton vers l'arrière pour activer les éclairage du sol.
- Basculer le bouton vers l'avant pour activer le phare.
- Retourner à la position centrale pour désactiver les lumières.



**MISE EN GARDE! Vous devez allumer les feux (jour et nuit) lorsque la visibilité est mauvaise.**

### SECTION ARRIERE

La section arrière de votre Travel Scooter abrite le module moteur/transmission, les antibasculé, et le levier d'embrayage. Pour tous les modèles, *à l'exception de Jazzy ZTS, voir la figure 8.*



**MISE EN GARDE! Avant débrayer votre Travel Scooter, soyez assuré que le contact est coupé. Ne jamais asseoir sur votre Travel Scooter lorsqu'il est au neutre (débrayé). Ne jamais débrayer votre Travel Scooter alors que celui-ci est dans une pente ou sur une surface inclinée.**

### Module moteur/transmission

Le module moteur/essieu est composé du moteur et d'un essieu scellé à la transmission et au différentiel. Ce module électromécanique transforme l'énergie des batteries en puissance pour les roues motrices de votre Travel Scooter.

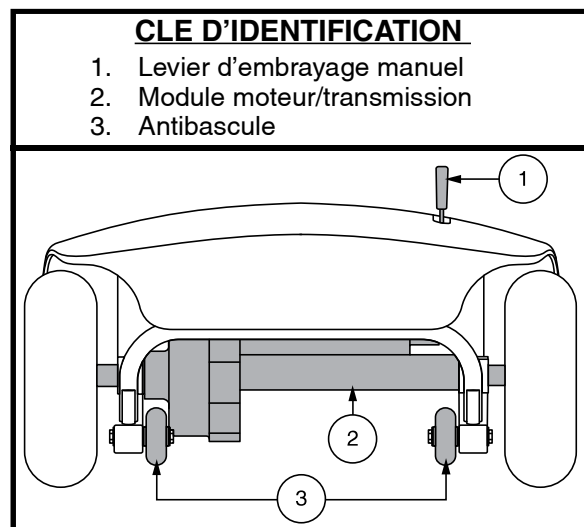


Figure 8. Section arrière

### Levier d'embrayage manuel - Modèles AAP4, 29, 36, 336, 39, 40, 44, 40X, 44X, 40E, 44E, 40LX, 44LX, 49, 50LX, 50LXLIT, 53, 53HD, 54, 54LX, 54LXLIT, 54HD, 66, 67, 73, 74, 83, et 84

Vous pouvez débrayer votre Travel Scooter (neutre) pour le déplacer manuellement sur de courtes distances. Le levier d'embrayage est situé dans le coin supérieur droit de la section arrière.

1. Repérez le levier d'embrayage en hout á droite de la section arrère.
2. Poussez le levier vers l'avant pour débrayer le moteur et relâcher les freins. Vous pouvez maintenant déplacer le Travel Scooter manuellement.
3. Pour sortir du neutre, tirez sur le levier d'embrayage qui engage la moteur et active les freins.

**MISE EN GARDE! Lorsque le Travel Scooter est en mode roues libres (au neutre) les freins sont relâchés.**



- Passez en mode roues libre seulement lorsque le Travel Scooter est sur une surface horizontale.
- Assurez-vous que la clé n'est pas sur le contact.
- Tenez-vous debout à côté le Travel Scooter pour passer en mode roues libres ou pour embrayer les moteurs. Ne jamais le faire alors que vous êtes assis sur le siège.
- Lorsque vous avez terminé le déplacement manuel du Travel Scooter, remettez toujours le Travel Scooter en mode embrayé afin d'engager les freins.

## II. VOTRE TRAVEL SCOOTER

### Levier d'embrayage manuel - Jazzy ZTS

Votre Travel Scooter est équipé de deux leviers d'embrayage manuel « pour passer au neutre » un sur chaque moteur. Ces leviers vous permettent de débrayer les moteurs de la boîte de vitesse, afin de pouvoir manoeuvrer votre Travel Scooter manuellement. Voir la figure 9.



**MISE EN GARDE! N'utilisez pas le Travel Scooter lorsque les moteurs sont débrayés. Ne débrayez pas le Travel Scooter lorsque celui-ci est sur une pente ou une surface inclinée sous peine de le voir rouler de lui même hors contrôle.**



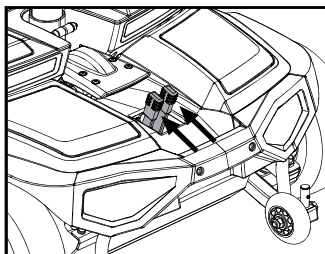
**MISE EN GARDE! Rappelez-vous que lorsque le Travel Scooter est débrayé, les freins électriques sont relâchés.**

*NOTE: Il est fortement recommandé de ne pas charger vos batteries en mode freewheel « roues libres ».*

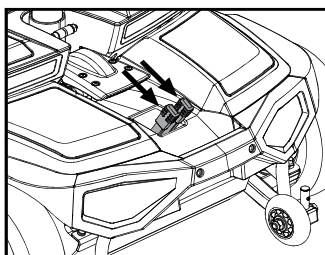
*NOTE: Vous devez éteindre le Travel Scooter avant de le débrayer sous peine de provoquer un message d'erreur sur le Travel Scooter. Pour corriger le problème, coupez le contact du Travel Scooter et embrayez le Travel Scooter puis remettez le contact. Le message d'erreur devrait être effacé. Si le message persiste, contactez un détaillant autorisé.*

#### CLE D'IDENTIFICATION

1. Leviers d'embrayage
2. Antibascule



Mode « roues libres » (débrayé)



Mode de traction (embrayé)

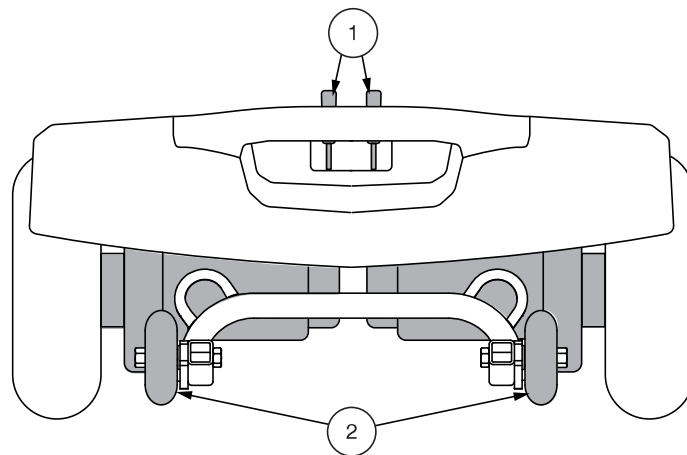


Figure 9. Section arrière - Jazzy ZTS

#### Pour embrayer ou débrayer les moteurs:

1. Trouvez les leviers sur la section arrière de la Travel Scooter. Voir la figure 9.
2. Tirez sur les deux leviers vers l'arrière du Travel Scooter pour engager les moteurs d'entraînement (mode de fonctionnement).
3. Poussez les deux leviers vers l'avant du Travel Scooter pour désengager les moteurs d'entraînement (mode « roues libres »).

Si un levier offre de la résistance, secouer légèrement le Travel Scooter. Le levier devrait passer en position désirée.



**MISE EN GARDE! N'utilisez pas les leviers de débrayage comme point d'attache pour ancrer votre Travel Scooter.**

## II. VOTRE TRAVEL SCOOTER

### Roulettes antibascule

Les roulettes antibascule sont une composante de sécurité importante de votre Travel Scooter. Elles sont boulonnées sur la structure à l'arrière du Travel Scooter.



**INTERDIT! Ne pas retirer ou modifier d'aucune manière les roulettes antibascule sans avoir obtenu l'autorisation de votre détaillant autorisé.**



**MISE EN GARDE! Les roues anti-bascule peuvent provoquer des interférences avec la transition en douceur de votre Travel Scooter lorsque vous montez ou descendez un trottoir. Contactez votre détaillant autorisé pour plus d'informations.**

### BOITIER A BATTERIES

Votre Travel Scooter est équipé d'un module à batterie innovateur facilement enlevable. Une poignée située sur le dessus facilite l'enlèvement du Travel Scooter d'une seule main. Selon la configuration de votre Travel Scooter, la batterie contient une ou deux batteries rechargeables et peut contenir la prise du cordon d'alimentation du chargeur, le disjoncteur principal (bouton de réinitialisation) et le fusible de la batterie. **Voir les figures 10 et 11.**

#### Bouton du disjoncteur principal (Bouton de d'enclenchement)

Lorsque les batteries sont faibles et que la demande est excessive (charge lourde ou pente forte) le disjoncteur peut se déclencher pour éviter d'endommager les composantes électroniques et le moteur. **Voir la figure 10 et 11.**

- La tête du bouton du disjoncteur sort lorsqu'il est déclenché.
- Lorsqu'il est déclenché, tous les circuits sont hors service.
- Attendez une minute avant d'essayer d'enclencher le circuit à nouveau.
- Appuyez sur le bouton pour l'enfoncer et rétablir les circuits.
- Si le disjoncteur se déclenche à répétition, nous recommandons de charger vos batteries plus souvent.
- Si le disjoncteur saute à nouveau, vous devrez voir votre détaillant autorisé pour faire vérifier votre appareil.

#### Réceptacle du cordon du chargeur

L'extrémité du cordon d'alimentation du chargeur à 3 broches se branche dans cette prise. **Voir les figures 12 et 13.**

#### Fusible de la console du guidon (si équipé)

Le fusible situé sous le boîtier à batteries protège les composantes électroniques de la console. **Voir la figure 10.** Si la console cesse de fonctionner, vérifiez ce fusible. Voir VII. "Problèmes et solutions" pour les instructions de remplacement.

#### Chargeur a batteries externe

Vous devez brancher le chargeur à batteries externe dans son réceptacle et dans une prise murale standard pour la recharge des batteries de votre Travel Scooter. **Voir la figure 14.**

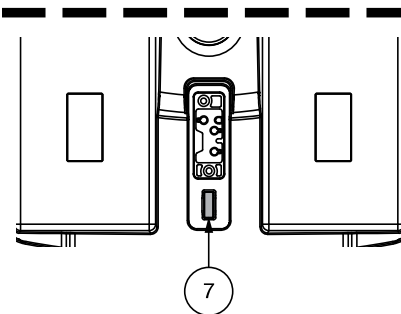
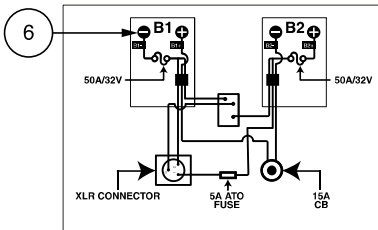
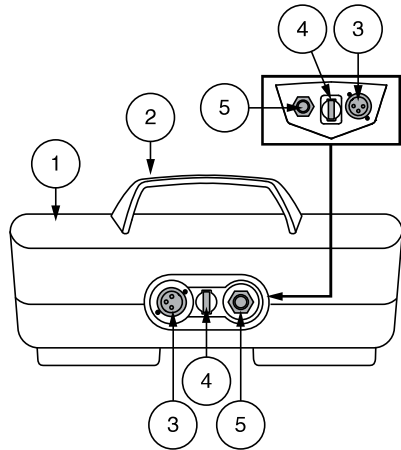
**NOTE: Voir les figures 12 et 13 pour déterminer le port de charge XLR approprié en fonction de la configuration de votre scooter.**

# II. VOTRE TRAVEL SCOOTER

## CLE D'IDENTIFICATION

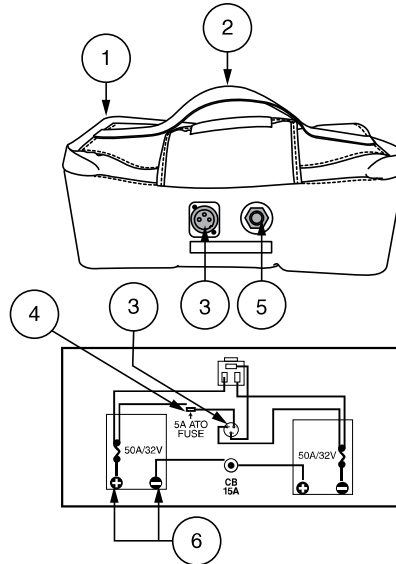
- |                                     |   |
|-------------------------------------|---|
| 1. Module à batteries               | 5. Disjoncteur du circuit principal (bouton de d'enclenchement) |
| 2. Poignée du module                | 6. Connecteurs à batteries                                      |
| 3. Réceptacle du cordon du chargeur | 7. Fusible de la console de guidon                              |
| 4. Fusible du module                |   |

### Module à batteries Style A

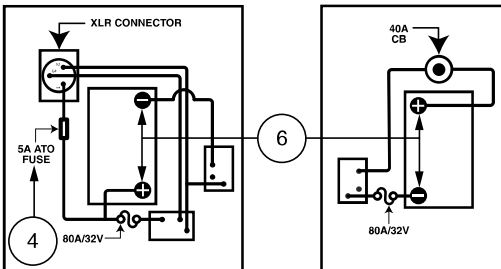
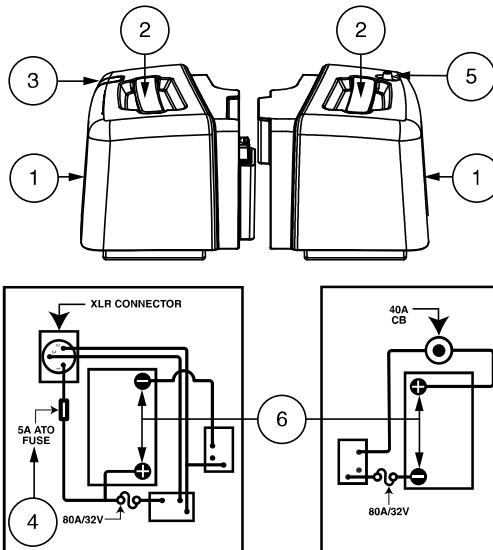


Plancher du Travel Scooter

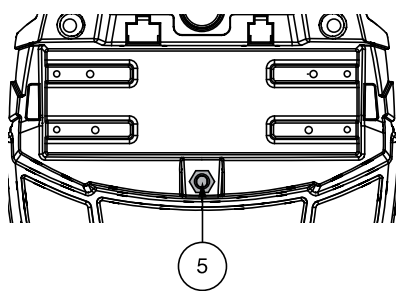
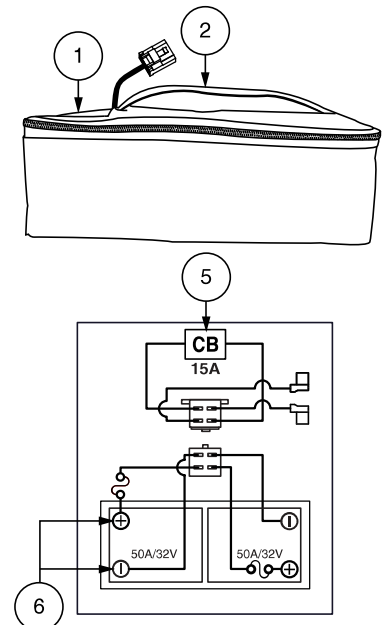
### Module à batterie Style B



### Module à batterie Style C



### Module à batterie Style D



Plancher du Travel Scooter

Figure 10. Module à batteries

## II. VOTRE TRAVEL SCOOTER

### CLE D'IDENTIFICATION

1. Couvercle de la boîte de la batterie
2. Batteries
3. Port du chargeur
4. Fusible du module
5. Fond de la boîte de la batterie
6. Disjoncteur circuit principal

### Module à batterie Style E

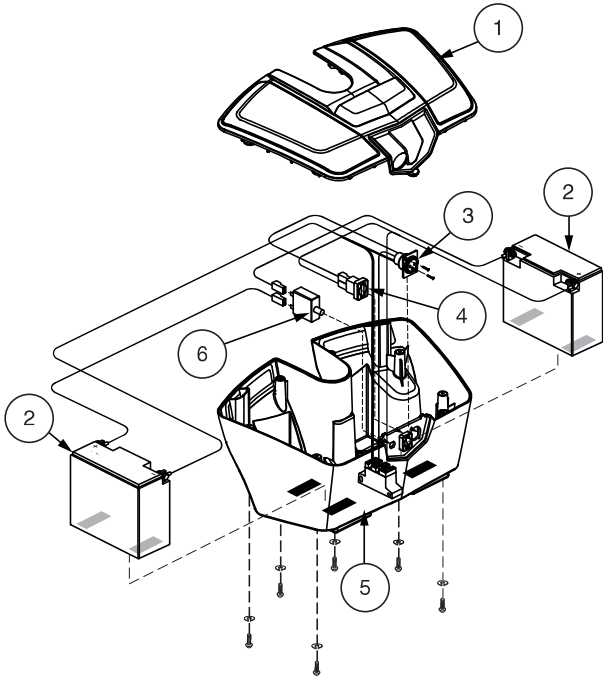


Figure 11. Boîtier à batteries - Jazzy ZTS, 50LX, 50LXLIT, 54LX, 54LXLIT

### CLE D'IDENTIFICATION

1. Tableau de bord
2. Réceptacle du cordon du chargeur

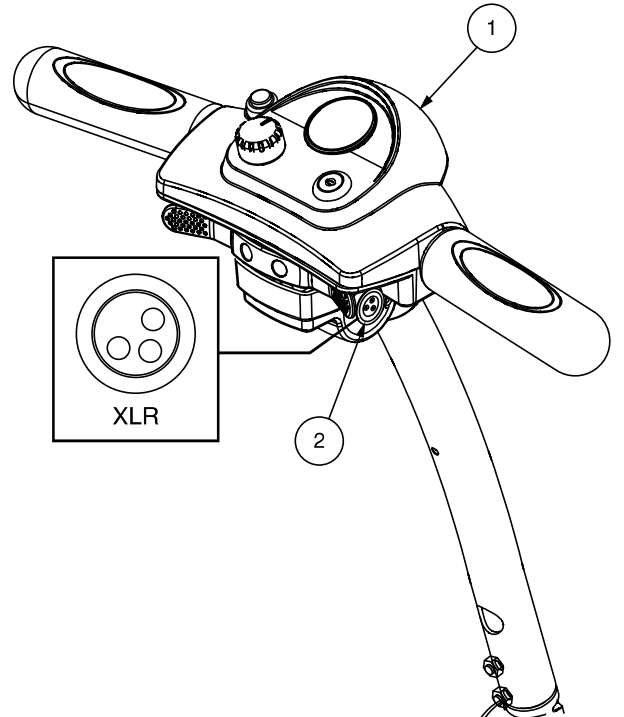


Figure 12. Réceptacle du cordon du chargeur (Branchement du console)

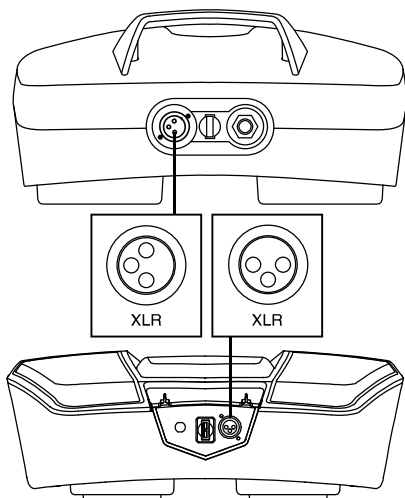


Figure 13. Réceptacle du cordon du chargeur (Module à batteries)

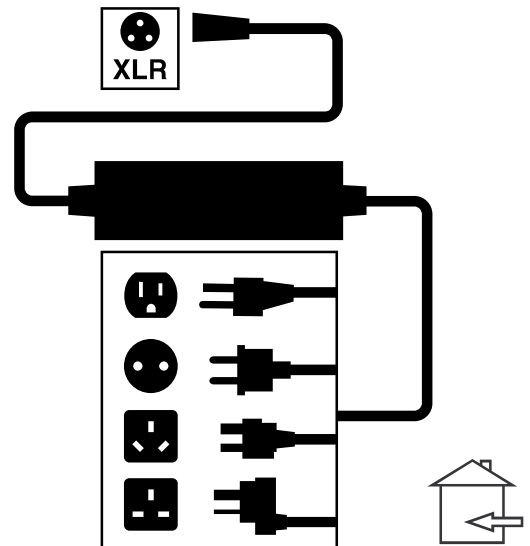


Figure 14. Chargeur à batteries externe

## II. VOTRE TRAVEL SCOOTER

### ANCRAGE DU SCOOTER

Le Travel Scooter doit toujours être ancrés face à l'avant du véhicule. Fixez les quatre (4) courroies aux points d'ancrage désignés sur le Travel Scooter. **Voir la figure 15.** Serrez bien les courroies pour retirer le jeu excessif. N'attachez jamais le Travel Scooter par ses composantes réglables ou mobiles tels que les accoudoirs, capots ou roues. Ces articles devraient être enlevés. Positionnez les points d'ancrage arrière des courroies directement derrière le Travel Scooter. Les points d'ancrage avant sont disposés plus loin de chaque côté du Travel Scooter afin d'augmenter la stabilité latérale.



**MISE EN GARDE! Assurez-vous que le Travel Scooter est bien attaché au véhicule pendant le transport routier. Un scooter qui n'est pas ancré correctement pourrait devenir dangereux pour son occupant et pour les autres passagers du véhicule lors d'un arrêt brusque, dans un virage serré puisque le Travel Scooter pourrait se renverser et se déplacer violemment en cas de collision.**

#### CLE D'IDENTIFICATION

1. Points d'ancrage avant (3-roues modèles)
  - 1a. Modèles 83 et 84 seulement
  - 1b. Modèles 29, 36, 336, 39, 40, 40X, 40E, 40LX, 50LX, 50LXLIT, 53, 53HD, et 73
  - 1c. Modèle 66 seulement
2. Points d'ancrage avant (4-roues modèles)  
Modèles AAP4,44, 44X, 44E, 44LX, 49, 54, 54LX, 54LXLIT, 54HD, 67, 74, et Jazzy ZTS
3. Points d'ancrage arrière

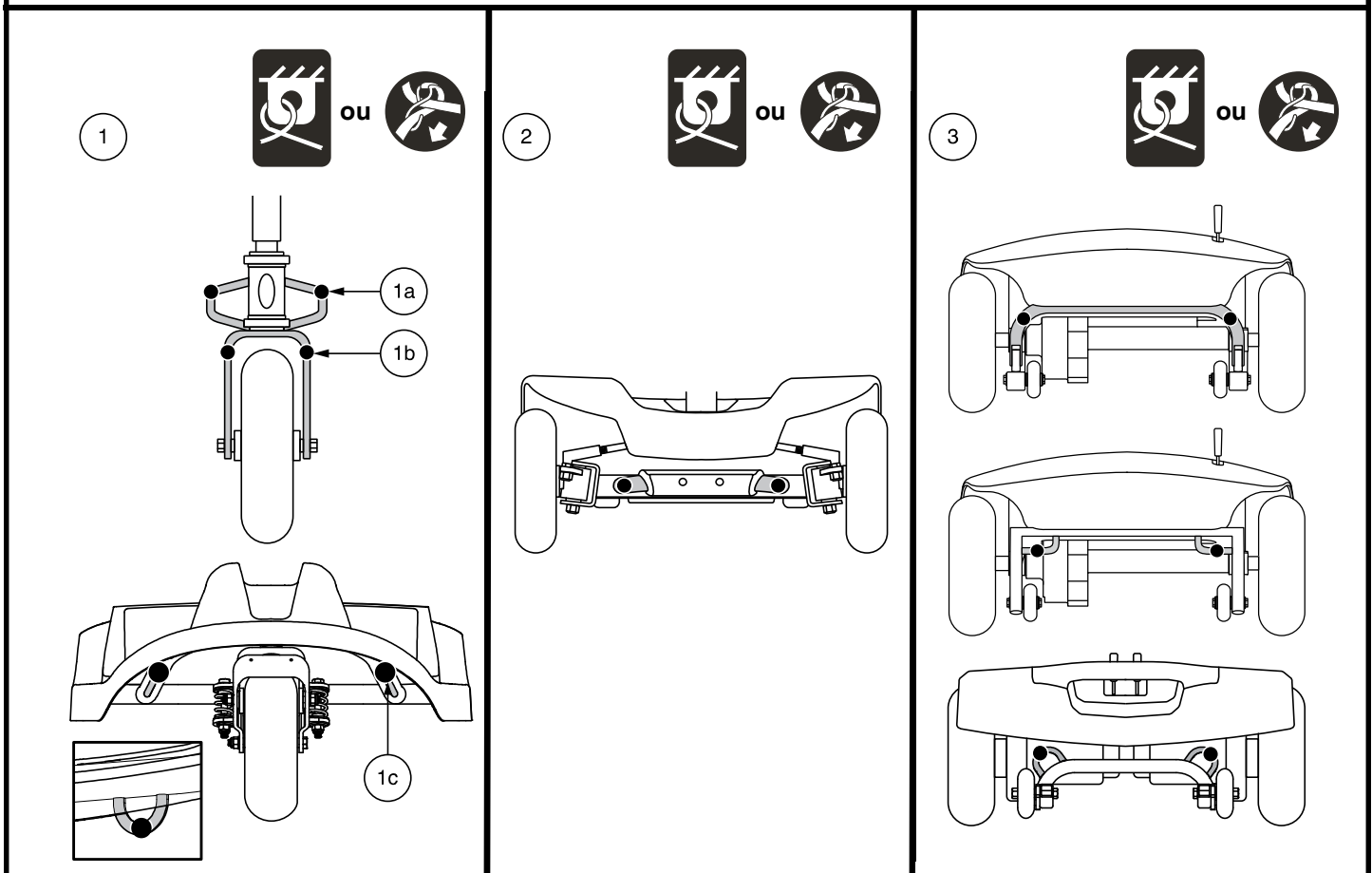


Figure 15. Points d'ancrage (Identifié avec des points noirs)



## II. VOTRE TRAVEL SCOOTER

### PANNEAUX DE CAPOT

Sur certains modèles, vous pouvez changer la couleur de votre Travel Scooter en retirant les panneaux de couleur et en les remplaçant avec des panneaux de couleur différente. Les panneaux sont fixés à l'aide de fixations de type velcro. **Voir la table des caractéristiques du Travel Scooter (à la page 42).**

#### Pour retirer les panneaux:

1. Utilisez votre doigt pour trouver les orifices de détente sur chaque panneaux.
2. Poussez dans l'orifice afin de séparer le panneau du Travel Scooter. **Voir la figure 16.**

#### Pour retirer la visière de la console:

1. Tirez doucement sur la visière vers l'arrière du Travel Scooter pour le détacher de la fixation velcro et le retirer de la console. **Voir la figure 17.**

Pour remettre les panneaux du capot en place, placez chaque panneau à sa place en pesant légèrement dessus pour fixer le velcro correctement.

**NOTE:** Lors de l'installation des panneaux d'ailes arrière et avant, assurez-vous de bien insérer l'onglet dans sa fente avant de fixer le panneau en place. Voir la figure 16.

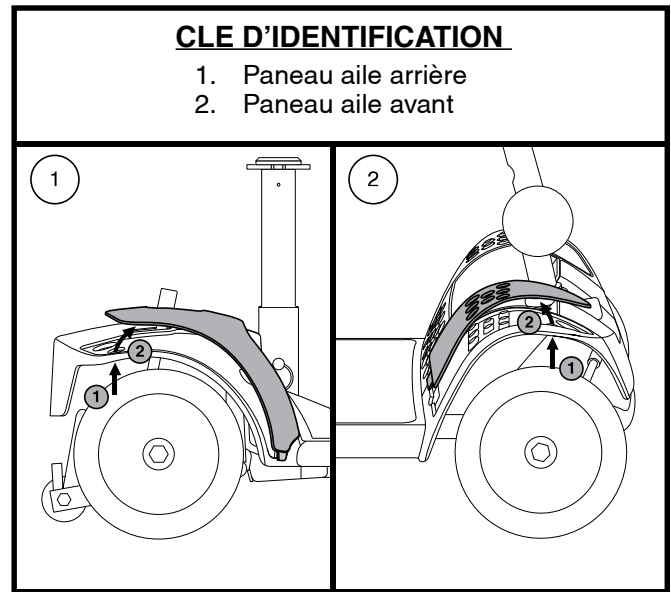


Figure 16. Panneau aile

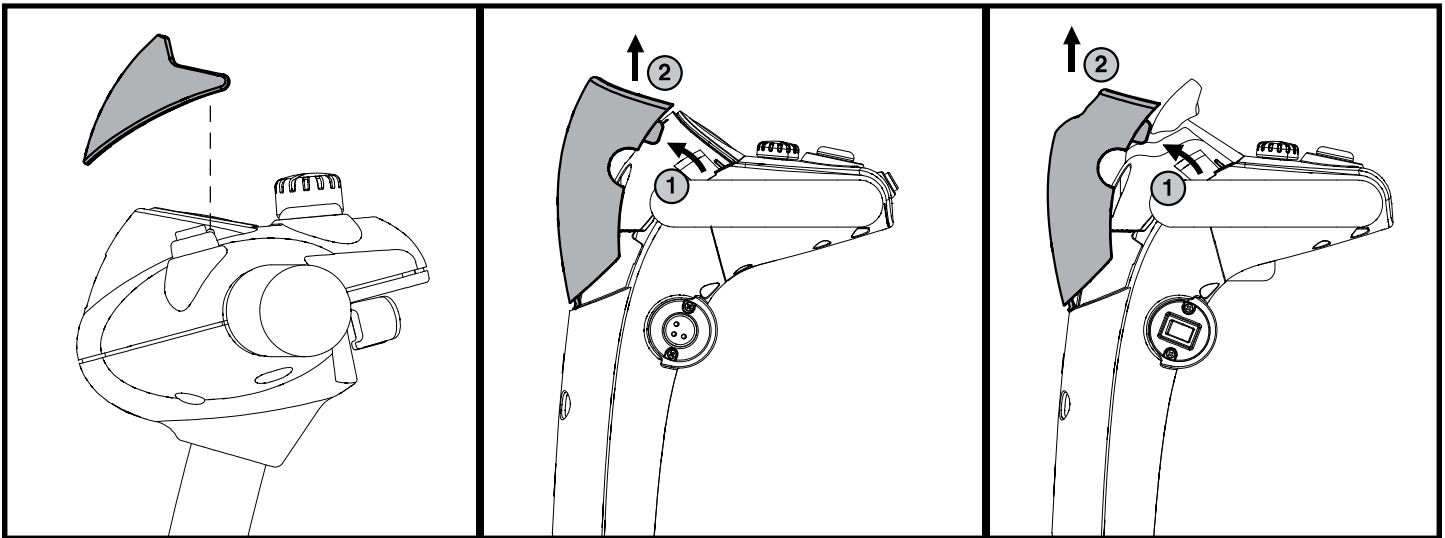


Figure 17. Visière de la console

# III. BATTERIES ET RECHARGE

## BATTERIES ET RECHARGE

Votre Travel Scooter utilise deux batteries à décharge poussée, scellées et sans entretien de 12 volts. Elle sont rechargées par le chargeur externe.

- Chargez vos batteries au moins 8 à 14 heures avant la toute première utilisation de votre Travel Scooter.
- Gardez vos batteries bien chargées pour éviter les complications.

## LECTURE DU VOLTAGE DES BATTERIES

La jauge à batteries située sur le tableau de bord indique la quantité d'énergie stockée dans les batteries à l'aide d'un code de couleur. Le vert indique des batteries pleine charge, le jaune indique que la charge est partielle tandis que le rouge montre que les batteries doivent être rechargées immédiatement. **Voir la figure 18.** Pour avoir une mesure fiable, vous devez débrancher le cordon d'alimentation du chargeur et mettre le contact du Travel Scooter.

*NOTE: Le Mètre ambiant (compteur de condition de batterie 1c) ajuste la luminosité en fonction de l'environnement.*

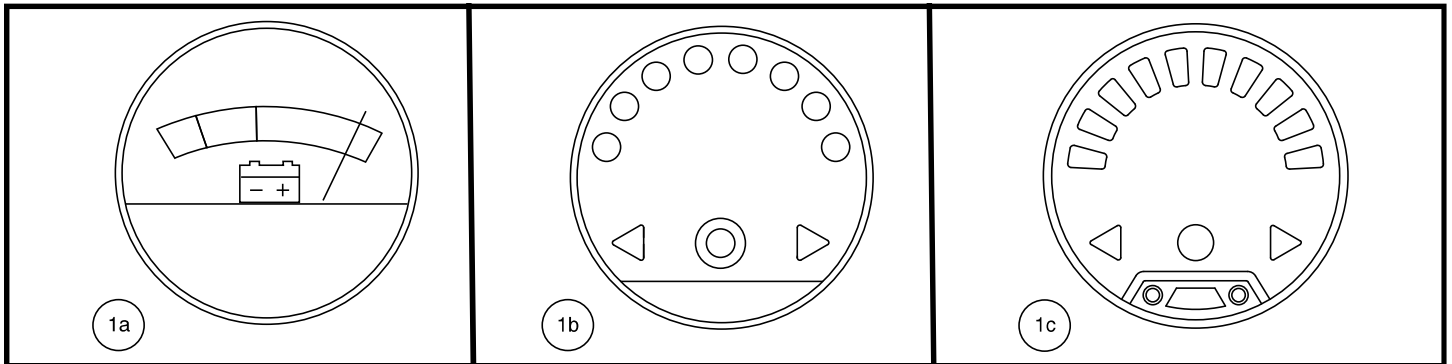


Figure 18. Jauge à batteries

## RECHARGE DES BATTERIES

*NOTE: Avec certains modèles, la batterie peut être chargée ou désactivée du Travel Scooter. Voir la table des caractéristiques.*

*NOTE: Avec les modèles 66 et 67, les deux boîtes de batterie peuvent être retirés de la scooter et ensuite attachés ensemble pour une recharge facile. Voir la figure 19.*



**INTERDIT!** Vous risquez de provoquer une situation dangereuse si vous enlevez la branche de mise à la terre du connecteur électrique sur le cordon d'alimentation du chargeur. Au besoin, installez un adaptateur à 3 branches sur la prise électrique à 2 fentes.



**INTERDIT!** N'utilisez jamais une rallonge de cordon électrique pour brancher le chargeur à batteries. Branchez-le directement dans une prise électrique standard.



**INTERDIT!** Ne laissez pas d'enfant jouer sans surveillance près d'un Travel Scooter lorsque vous rechargez les batteries. Nous recommandons de ne pas recharger les batteries lorsque le Travel Scooter est occupé.



**OBLIGATOIRE!** Lisez les instructions sur le fonctionnement du chargeur dans ce manuel et celles contenues dans le manuel fourni avec le chargeur avant de commencer la recharge des batteries.

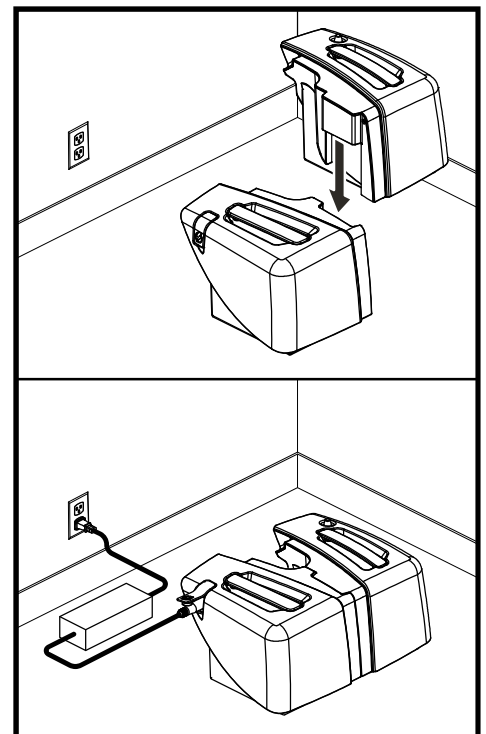


Figure 19. Chargement de la batterie (modèles 66 et 67)

# III. BATTERIES ET RECHARGE



**MISE EN GARDE!** Des vapeurs explosives peuvent être émises pendant la recharge des batteries. Ventilez adéquatement la pièce et n'approchez pas du chargeur avec des étincelles ou une flamme ouverte pendant la recharge des batteries.

**MISE EN GARDE!** Vous devez recharger les batteries avec le chargeur externe qui a été fourni avec votre Travel Scooter. N'utilisez pas un chargeur de type automobile.

**MISE EN GARDE!** Inspectez le chargeur, les fils et les connecteurs avant chaque utilisation. Contactez votre détaillant autorisé si vous découvrez des dommages.



**MISE EN GARDE!** Ne tentez pas d'ouvrir le boîtier du chargeur. Si le chargeur ne semble pas fonctionner correctement, contactez votre détaillant autorisé.

**MISE EN GARDE!** Si le chargeur est équipé de fentes de refroidissement, ne tentez pas d'insérer d'objets dans ces fentes.

**MISE EN GARDE!** Soyez conscient que le boîtier du chargeur de batterie peut devenir chaud pendant la charge. Évitez tout contact cutané et ne placez pas dessus des surfaces susceptibles d'être affectées par la chaleur.



**MISE EN GARDE!** N'exposez pas votre chargeur aux intempéries sauf si celui-ci a été approuvé pour l'usage à l'extérieur. Si le chargeur est exposé aux intempéries, alors il doit avoir le temps de s'adapter aux conditions internes avant de l'utiliser à l'intérieur. Référez-vous au manuel fourni avec le chargeur pour de plus amples informations.

*Voici comment recharger vos batteries sécuritairement:*

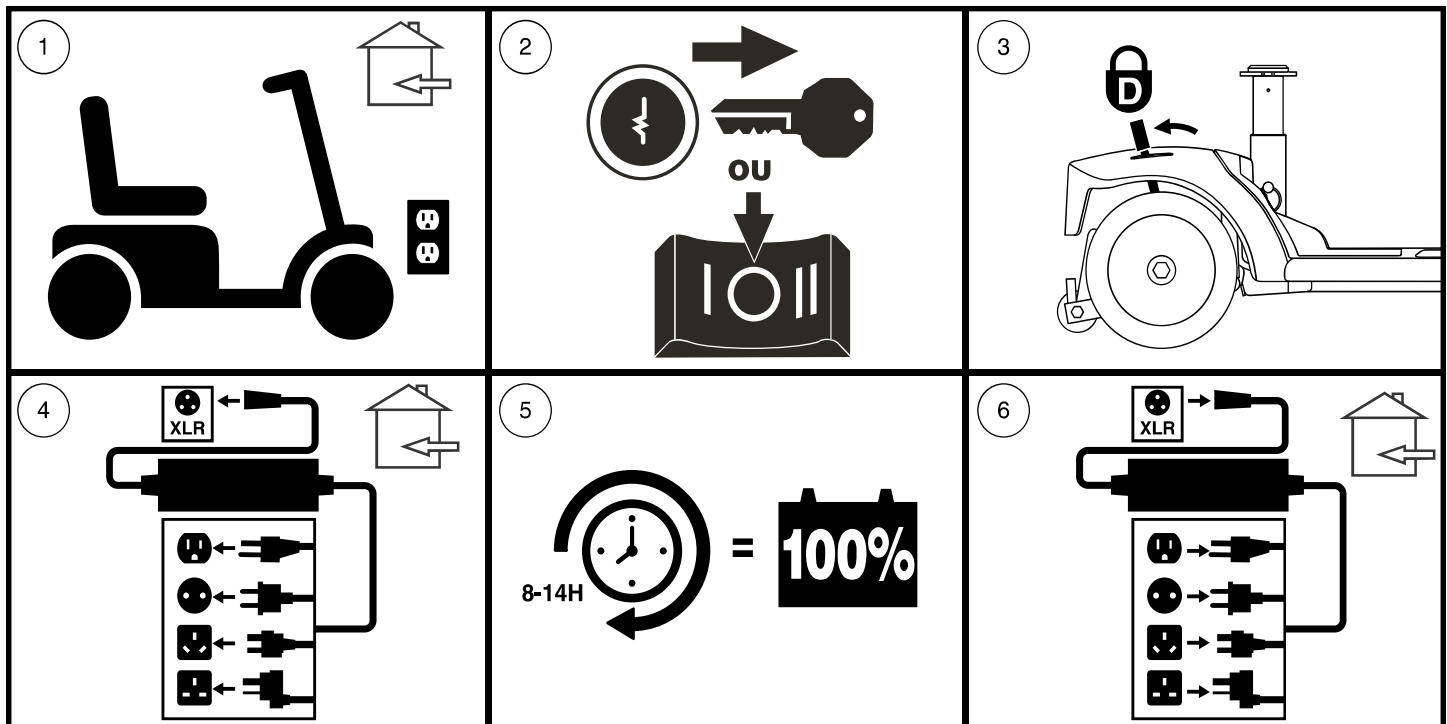


Figure 20. Recharge des batteries schéma des procédures



**MISE EN GARDE!** Les voyants lumineux sur le chargeur vous informent sur l'état actuel. Si dans les 24 heures, la DEL n'indique pas que la charge est terminée, débrancher le chargeur de la prise et contactez votre détaillant autorisé. Référez-vous au manuel fourni avec le chargeur pour les instructions complètes sur les voyants lumineux.

**NOTE:** Le Travel Scooter possède un dispositif qui bloque le fonctionnement du Travel Scooter et de sa jauge à batteries pendant la recharge de batteries.

# III. BATTERIES ET RECHARGE

## QUESTIONS POSEES FREQUEMMENT

### Comment fonctionne le chargeur?

Si les batteries sont faibles, le chargeur travaillera davantage. Au fur et à mesure que les batteries se rechargent, le chargeur ralentit le débit de recharge jusqu'à ce que les batteries soient complètement chargées. Lorsqu'elles le sont, le niveau d'intensité est presque à zéro. Les batteries seront alors maintenues chargées mais ne peuvent être surchargées. Reportez-vous au manuel fourni avec le chargeur de batterie pour des instructions de chargement.

### Puis-je utiliser un autre chargeur?

Les chargeurs sont choisis en fonction de l'utilisation et sont bien adaptés au type, à la capacité et à la formule chimique des batteries utilisées. La façon la plus rapide et sûre de recharger les batteries de votre Travel Scooter est à l'aide du chargeur d'origine fourni avec votre produit. Ne rechargez pas les batteries individuellement.

### Que faire si les batteries ne se rechargent pas?

- Assurez-vous que le fusible du module à batteries est en bon état. **Voir la figures 10 et 11.**
- Assurez-vous que les deux extrémités du cordon d'alimentation soient bien branchées à fond.

### À quelle fréquence dois-je recharger mes batteries?

Deux facteurs influencent la nécessité de recharger les batteries.

- Une utilisation journalière.
- Une utilisation occasionnelle du Travel Scooter.

Avec ces considérations à l'esprit, vous serez en mesure de déterminer à quelle fréquence et pendant combien de temps vous devez recharger les batteries de votre scooter. Bien que le chargeur de batteries intégré ait été conçu de façon à ne jamais surcharger les batteries, plusieurs propriétaires hésitent à charger leurs batteries régulièrement. Si vous suivez les conseils décrits ci-dessous, vos batteries seront fiables et plus durables.

- Si vous utilisez votre Travel Scooter toute la journée, rechargez vos batteries dès que vous avez fini de l'utiliser. Le chargeur possède un dispositif automatique qui ne surchargera pas vos batteries et votre Travel Scooter sera prêt chaque matin. Après une journée d'utilisation, il est recommandé de recharger vos batteries pendant au moins 8 à 14 heures. Nous recommandons de charger les batteries pendant 4 heures supplémentaires après que le chargeur de la batterie indique que la charge est terminée.
- Si vous utilisez votre Travel Scooter occasionnellement (une fois par semaine ou moins), il est recommandé de recharger vos batteries au moins une fois par semaine pendant au moins 24 heures.

**NOTE: Gardez vos batteries bien chargées et évitez de les décharger complètement. Reportez-vous au manuel fourni avec le chargeur de batterie pour des instructions de chargement. Nous recommandons de charger vos batteries pendant au moins 48 heures consécutives une fois par mois afin d'améliorer les performances et la vie de la batterie.**

### Que dois-je faire pour allonger la vie utile de mes batteries?

Les batteries à décharge poussée sont conçues pour fournir une performance supérieure plus longtemps que les batteries ordinaires. Gardez vos batteries pleinement chargées aussi souvent que possible. Des batteries trop déchargées, rechargées de façon non assidue, ou entreposées sans qu'elles ne soient pleinement chargées ne seront pas fiables, auront une piètre performance et de plus, dureront moins longtemps.

**NOTE: Pour prolonger la vie de la batterie, éteignez toujours le Travel Scooter et retirez la clé lorsqu'il n'est pas utilisé.**

### Comment obtenir une distance maximale avec mes batteries?

Les conditions de conduite ne sont pas toujours idéales : terrain ferme et plat, sans courbe et sans vent contraire. Souvent, nous faisons face à des pentes, des crevasses dans les trottoirs, du gravier, des courbes, etc. Ces facteurs affecteront la distance que vous pourrez parcourir avec votre Travel Scooter. Voici quelques suggestions pour maximiser la distance parcourue avec une recharge de batteries:

# III. BATTERIES ET RECHARGE

- Avant de partir, assurez-vous que vos batteries sont complètement chargées.
- Planifiez votre sortie de façon à éviter les pentes et les surfaces difficiles.
- Emportez le minimum de bagages.
- Essayez de maintenir une vitesse constante.
- Évitez d'arrêter et de repartir fréquemment.
- Nous recommandons de charger vos batteries pendant au moins 48 heures consécutives une fois par mois afin d'améliorer les performances et la vie de la batterie.
- Assurez-vous qu'elles les câbles soient branchées de façon sécuritaire.

## Quel type de batteries devrais-je utiliser?

Nous recommandons les batteries à décharge poussée (deep cycle), sans entretien et scellées à l'usine ce qui élimine les risques de fuite. Les batteries de type AGM ou au gel scellées sont des batteries "à décharge poussée" offrant des performances similaires. N'utilisez pas de batteries conventionnelles à bouchons enlevables. Référez-vous au tableau des spécifications pour les dimensions des batteries selon les différents fabricants.



**MISE EN GARDE! Les batteries contiennent des produits corrosifs. Utilisez seulement des batteries de type AGM ou au gel afin de réduire le risque de fuite ou d'explosion.**

*NOTE: Les batteries scellées n'ont pas besoin d'ajout de liquide. N'enlevez pas les bouchons.*

## Pourquoi mes nouvelles batteries semblent-elles faibles?

Les batteries de type "à décharge poussée" sont très différentes des batteries d'automobiles, nickel/cadmium ou des autres batteries de type courant. Entre autres, les composantes chimiques utilisées dans les batteries à décharge poussée augmentent leur puissance et permettent de les recharger rapidement 8 à 14 heures.

En collaboration avec son fournisseur de batteries, nous équipe ses Travel Scooters avec les meilleures batteries disponibles. Elles sont chargées à bloc avant la livraison, cependant le transport les expose à des conditions climatiques parfois extrêmes qui peuvent affecter leur performance. En effet, la chaleur et le froid réduisent la charge des batteries et augmentent le temps nécessaire pour les recharger.

Une batterie gelée peut prendre quelques jours pour se stabiliser à la température ambiante. De plus, il est important de se rappeler que les batteries atteindront leur performance maximale après quelques cycles d'utilisation et de recharge.

## Voici quelques conseils pour bien roder vos batteries:

1. Chargez complètement vos batteries avant d'utiliser votre appareil pour la première fois. Elles seront alors à 88% de leur capacité.
2. Utilisez tout d'abord votre Travel Scooter autour de la maison de façon à vous habituer aux commandes et en apprécier le confort. Ceci permettra de roder vos batteries.
3. Rechargez vos batteries à nouveau pendant environ au moins 8 à 14 heures. Utilisez votre Travel Scooter de façon à continuer le rodage. Vos batteries seront alors à 90% de leur capacité.
4. Utilisez de nouveau votre Travel Scooter et rechargez vos batteries.
5. Après quatre ou cinq cycles de décharge et recharge, vos batteries atteindront 100% de leur capacité et dureront plusieurs années grâce aux soins que vous leur aurez apportés.

## Au sujet des transports publics?

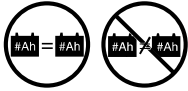
Les batteries scellées (AGM) et les batteries au gel ont été conçues pour être utilisées dans les scooters et des véhicules semblables. Ces batteries sont la Federal Aviation Administration (FAA) a approuvé (États-Unis uniquement), permettant le transport en sécurité sur transporteurs aériens, les autobus et les trains car les risques de fuite ou de renversement sont inexistantes. Nous vous suggérons quand même de communiquer avec la compagnie de transport pour connaître leurs exigences.

# III. BATTERIES ET RECHARGE

## Comment remplacer une batterie dans mon Travel Scooter?



**OBLIGATOIRE!** Les batteries, les bornes et les accessoires contiennent du plomb. Portez des lunettes et des gants pour les manipuler et lavez vos mains après les avoir manipulées.



**INTERDIT!** Utilisez toujours des batteries identiques, du même modèle, même capacité ampère/heure (Ah). Référez-vous dans ce les spécifications du produit et dans le manuel du chargeur pour connaître le type et modèle recommandé.

**MISE EN GARDE!** N'utilisez pas une vieille batterie en paire avec une neuve. Il faut toujours remplacer les deux batteries à la fois.



**MISE EN GARDE!** Contactez votre détaillant autorisé si vous avez des questions au sujet des batteries de votre Travel Scooter.

**MISE EN GARDE!** Ne pas procéder au remplacement lorsque quelqu'un y prend place.

**MISE EN GARDE!** Le remplacement des batteries de votre Travel Scooter doit être fait par votre détaillant autorisé ou un technicien qualifié.



**INTERDIT!** Tenez les objets et outils métallique loin des bornes des batteries. Un contact avec un outil en métal peut provoquer un choc électrique.

### Pour remplacer une batterie dans module à batteries:

- Ensemble de clés à rochet métriques/standards
- Clé ajustable
- Tournevis



**MISE EN GARDE!** Ne tentez pas de soulever plus que vous ne le pouvez. Demandez de l'aide au besoin pour l'assemblage ou le démontage de votre Travel Scooter.

**MISE EN GARDE!** Ne tirez pas directement sur les câbles pour les détacher du scooter. Il faut toujours prendre le connecteur pour détacher le câble afin d'éviter les dommages.

### Pour remplacer une batterie dans module à batteries Style A (Voir la figure 10):

1. Retirez le module de batteries du Travel Scooter.
2. Retournez le doucement à l'envers.
3. Retirez les vis au périmètre du boîtier.
4. Remettez doucement le boîtier à l'endroit et retirez le couvercle.



**MISE EN GARDE!** Pour éviter toute confusion lors du remplacement des piles, remplacer une batterie à la fois.

5. Débranchez le câble noir (-) et rouge (+) de la première batterie.
6. Retirez la vieille batterie.
7. Placez une batterie neuve dans le boîtier.
8. Branchez le câble rouge à la borne positive (+) de la première batterie.
9. Branchez le câble noir à la borne négative (-) de la première batterie.
10. Répétez les étapes 5 à 9 pour l'autre batterie.
11. Remettez le couvercle en place en prenant soin de ne pas pincer les câbles entre les coquilles du boîtier.
12. Retournez-le doucement à l'envers.
13. Réinstallez les vis et serrez bien.

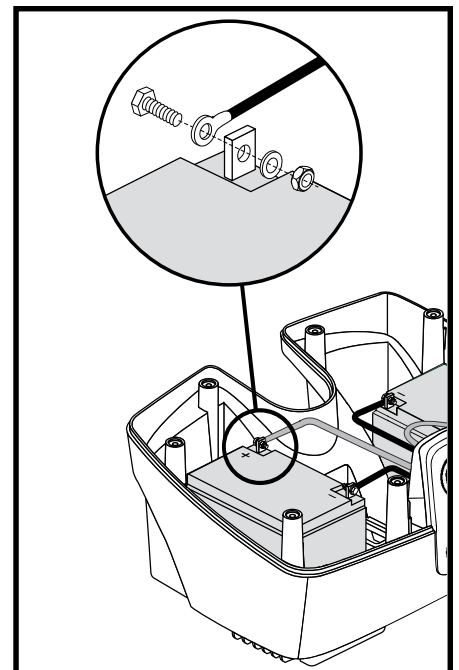


Figure 21. Débranchez les câbles d'alimentation de la batterie sur une boîte de batterie 17-22 Ah

# III. BATTERIES ET RECHARGE

**NOTE:** Certaines batteries nécessitent l'enlèvement d'un écrou et d'un boulon lorsque vous débranchez le câble de la batterie à partir de la borne de la batterie. Voir la figure 21.

**Pour remplacer une batterie dans module à batteries Style B (Voir la figure 10):**

1. Débranchez les câbles de la batterie et retirez l'emballage de la batterie du Travel scooter. Voir la figure 22.
2. Ouvrez l'emballage de la batterie pour exposer les batteries.



**MISE EN GARDE!** Pour éviter toute confusion lors du remplacement des piles, remplacer une batterie à la fois.

3. Débranchez le câble noir (-) et rouge (+) de la première batterie.
4. Retirez la vieille batterie.
5. Placez une batterie neuve dans le boîtier.
6. Branchez le câble rouge à la borne positive (+) de la première batterie.
7. Branchez le câble noir à la borne négative (-) de la première batterie.
8. Répétez les étapes 3 à 7 pour l'autre batterie.
9. Refermez l'emballage de la batterie complètement.
10. Réinstallez la batterie et branchez les câbles d'alimentation.

**Pour remplacer une batterie dans module à batteries Style C (Voir la figure 10):**

1. Retirez le siège. Voir la section VI. "Démontage et montage".
2. Retirez les modules de batterie du scooter. Toujours retirer le module gauche en premier.
3. Retirez la vis du côté du module, puis retirez les sept vis sous le module.
4. Placez le module la poignée vers le haut pour retirer le couvercle.
5. Détachez les câbles des bornes de la batterie en retirant le boulon et son écrou de la borne.
6. Retirez la vieille batterie en détachant du velcro.
7. Placez une nouvelle batterie dans la module et fixez-la avec du velcro.
8. Dans le droite batteries, branchez le câble de batterie rouge à la borne positive (+) de la batterie, puis branchez le câble de la batterie violet à la borne négative (-) de la batterie.
9. Dans le gauche batteries, branchez le câble de batterie violet à la borne positive (+) de la batterie, puis branchez le câble de la batterie noir à la borne négative (-) de la batterie.
10. Remplacez le couvercle, puis réinstallez les sept vis sous le module et resserrez.
11. Remplacez la vis du côté du module.
12. Réinstallez le module dans son puits sur le scooter et refermez le verrou. Voir la figure 23.
13. Remettez le siège.

## CLE D'IDENTIFICATION

1. Sangle de fixation de la batterie
2. Connecteur du câble avant/arrière
3. Câbles de la batterie

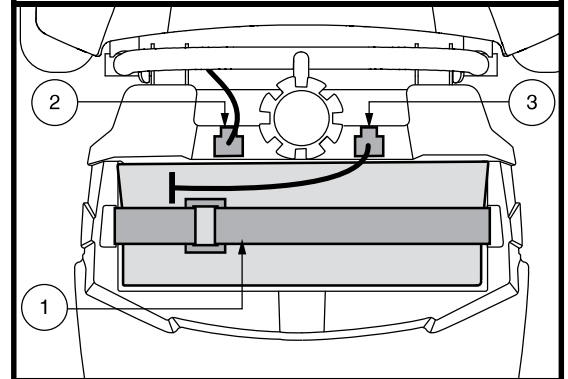


Figure 22. Sangle de fixation de la batterie

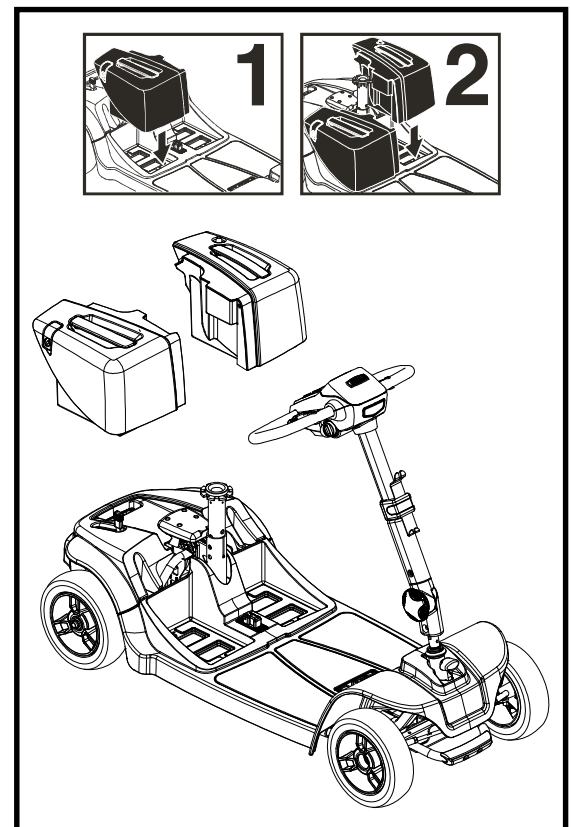


Figure 23. Boîtier à batteries Installation du modules 66 et 67

# III. BATTERIES ET RECHARGE

**NOTE:** Si vous constatez qu'une de vos batteries est endommagée ou fissurée, placez-la immédiatement dans un sac de plastique et contactez détaillant autorisé pour les recommandations de recyclage. Le recyclage c'est la meilleure façon de s'en débarrasser.

## Pour remplacer une batterie dans module à batteries Style D (Voir la figure 10):

1. Retirez le siège et le capot arrière. Voir la section VI. "Démontage et montage".
2. Débranchez les câbles d'alimentation de la batterie et les sangles de fixation puis retirez la batterie du Travel Scooter. **Voir la figure 22.**
3. Ouvrez l'emballage de la batterie afin d'exposer les batteries.



**MISE EN GARDE!** Pour éviter toute confusion lors du remplacement des piles, remplacer une batterie à la fois.

4. Débranchez le câble noir (-) et rouge (+) de la première batterie.
5. Retirez la vieille batterie.
6. Placez une batterie neuve dans le boîtier.
7. Branchez le câble rouge à la borne positive (+) de la première batterie.
8. Branchez le câble noir à la borne négative (-) de la première batterie.
9. Répétez les étapes 4 à 8 pour l'autre batterie.
10. Refermez complètement l'emballage de la batterie.
11. Réinstallez la batterie puis branchez les câbles de la batterie et les sangles de fixation de la batterie.
12. Réinstallez le capot arrière et le siège.

## Pour remplacer une batterie dans module à batteries Style E (Voir la figure 11):

**NOTE:** Si votre Travel Scooter est équipé d'une batterie au lithium, n'ouvrez pas ou n'essayez pas de démonter le boîtier de batterie ou n'essayez pas de remplacer la batterie au lithium dans le boîtier de batterie. Contactez votre fournisseur agréé pour un boîtier de batterie de remplacement complet.

**NOTE:** Si votre Travel Scooter de voyage est équipé de batteries au lithium, reportez-vous à l'insert de batterie au lithium fourni avec votre scooter de voyage et au manuel du propriétaire fourni avec votre chargeur de batterie pour les instructions de charge.

1. Retirez le boîtier à batteries du Travel Scooter.
2. Renversez le boîtier à l'envers.
3. Retirez toutes les vis qui retiennent les deux sections du boîtier. **Voir a figure 11.**
4. Retournez le boîtier à l'endroit de manière à ce que la poignée soit sur le dessus et retirez le couvercle.
5. Détachez le fil rouge (+) positif et noir (-) négatif des bornes des batteries.
6. Desserrez les boucles des courroies des deux batteries.
7. Retirez les vieilles batteries.
8. Placez les nouvelles batteries dans le boîtier (les bornes de la batterie vers le haut et tournées vers le centre de le Travel Scooter).
9. Resserrez et bouclez les courroies autour des deux batteries.
10. Rebranchez les deux fils (2) sur les bornes de batterie. Assurez-vous de bien brancher le fil rouge à la borne (+) positive et le fil noir à la borne (-) négative.
11. Remplacez le couvercle avant de retourner le boîtier à l'envers poignée vers le bas.
12. Remplacez et resserrez les vis qui retiennent les sections du boîtier ensemble.
13. Réinstallez le boîtier dans le Travel Scooter.



# IV. FONCTIONNEMENT

## AVANT DE PRENDRE PLACE SUR VOTRE TRAVEL SCOOTER

- Avez-vous rechargé vos batteries à fond? Voir la section III. “Batteries et recharge.”
- Le Travel Scooter est-il embrayé (levier tiré vers l’arrière). Ne jamais laisser le levier en position poussée vers l’avant sauf pour le déplacer manuellement.
- Le bouton du guidon est-il en position déverrouillée et le guidon bouge-t-il librement? Voir la section VI. “Montage et démontage”.
- Vérifiez que la température de l’air est comprise entre -25°C/-13°F à 50°C/122°F.

## S’INSTALLER SUR SON TRAVEL SCOOTER

1. Assurez-vous que la clé n’est pas sur le contact.



**MISE EN GARDE! Ne jamais monter sur votre Travel Scooter sans d’abord retirer la clé du contact. Ceci évitera un contact accidentel avec un des leviers d’accélérateur.**

2. Tenez-vous debout à côté de votre Travel Scooter.
3. Débloquez le siège et faites-le pivoter jusqu’à ce qu’il soit face à vous.
4. Assurez-vous qu’il est bien bloqué en place.
5. Asseyez-vous confortablement sur le siège.
6. Débloquez le siège et pivotez pour faire face à l’avant du Travel Scooter.
7. Assurez-vous qu’il est bien bloqué en place.
8. Vérifiez que vos pieds soient bien posés sur le plancher du Travel Scooter.

## VERIFICATIONS AVANT DEPART

- Le siège est-il à la bonne hauteur? Voir la section V. “Réglages confort.”
- Le siège est-il bloqué en position?
- Avez-vous réglé et verrouillé l’angle du mât du guidon pour être confortablement installé? Voir la section V. “Réglages confort.”
- La clé est-elle dans le contact et le Travel Scooter est-il allumé?
- Le klaxon fonctionne-t-il?
- Avant de partir, assurez-vous qu’il n’y a personne ni aucun obstacle devant vous.
- Avez-vous choisi votre parcours afin d’éviter les pentes et les surfaces difficiles?

*NOTE: Soyez prudent lorsque vous utilisez votre scooter sur des surfaces délicates, car des rayures et / ou des marques peuvent apparaître.*

## FONCTIONNEMENT DE VOTRE TRAVEL SCOOTER

**MISE EN GARDE! Les situations suivantes peuvent affecter la stabilité et/ou la conduite de votre Travel Scooter:**



- Tenir ou attacher la laisse de votre animal de compagnie.
- Prendre un passager (humain ou animal).
- Suspendre tout objet au guidon.
- Remorqué ou être poussé par un autre véhicule.

**MISE EN GARDE! Gardez vos deux mains sur le guidon et les deux pieds sur le plancher en tout temps afin de conserver un meilleur contrôle de votre véhicule.**

- Réglez le bouton de vitesse au niveau désiré.
- Pesez ou tirez sur le levier d’accélérateur approprié.
- Les freins électriques se relâcheront automatiquement et votre Travel Scooter avancera à la vitesse sélectionnée.
- Tirez le guidon vers la gauche pour avancer vers la gauche.
- Tirez le guidon vers la droite pour aller vers la droite.
-

## IV. FONCTIONNEMENT

- Placez le guidon au centre pour avancer en droite ligne.
- Relâchez l'accélérateur pour ralentir et vous arrêter complètement. Les freins électromagnétiques de stationnement s'engageront automatiquement dès que le scooter sera arrêté.
- Si équipé de la iTurn Technology™, faites en sorte que votre scooter de voyage pivote correctement dans les deux sens par observez la roue arrière sur le côté du scooter vous vous tournez.

**NOTE:** *S'il est équipé de la iTurn Technology™, tourner rapidement le timon complètement d'un côté, puis de l'autre côté peut empêcher le Travel Scooter de fonctionner comme prévu et / ou provoquer une panne du contrôleur. Pour réinitialiser le contrôleur, tournez le timon en position centrale, puis tournez la clé en position d'arrêt, attendez 5 secondes, puis tournez la clé en position marche.*

**NOTE:** *La vitesse arrière de votre Travel Scooter est plus lente que la vitesse avant que vous réglez avec le bouton de vitesse.*

### POUR DESCENDRE DE VOTRE TRAVEL SCOOTER

1. Arrêtez votre Travel Scooter complètement.
2. Retirez la clé du contact.



**MISE EN GARDE!** Ne jamais monter sur votre Travel Scooter sans d'abord retirer la clé du contact. Ceci évitera un contact accidentel avec un des leviers d'accélérateur.

3. Débloquez le pivot du siège et faites-le tourner jusqu'à ce que vous soyez face au côté du Travel Scooter.
4. Assurez-vous que le siège est verrouillé après avoir relâché la manette.
5. Descendez prudemment et tenez-vous debout près de votre Travel Scooter.
6. Vous pouvez laisser le siège face à vous, prêt pour votre prochaine sortie.

### DISPOSITIF SAUVE ENERGIE

Votre Travel Scooter est équipé d'une fonction de minuterie d'arrêt automatique conçue pour empêcher votre scooter de bouger s'il est laissé sans surveillance. Si vous laissez par erreur la clé en position «on» mais n'utilisez pas votre Travel Scooter pendant environ 20 minutes, le contrôleur du Travel Scooter s'éteint automatiquement. Bien que le contrôleur soit arrêté, le système électrique du scooter sera toujours alimenté.

Si le courant a été coupé par le dispositif automatique, suivez les étapes suivantes pour rétablir le fonctionnement.

1. Retirez la clé du contact.
2. Insérez la clé dans le contact et tournez vers la position "on".

# V. REGLAGES CONFORT

## REGLAGE DE L'INCLINAISON DU GUIDON (Voir la figure 24)

**MISE EN GARDE!** Retirez la clé du contact avant de changer les réglages du guidon ou ceux du siège. Ne tentez jamais de régler le siège ou le guidon lorsque le Travel Scooter est en mouvement.



**MISE EN GARDE!** Avant d'utiliser le scooter, pousser et tirer sur le guidon pour assurer que le mécanisme de réglage de l'angle est sécurisé. Inspecter le bouton de réglage du guidon et le mécanisme de réglage de l'angle pour assurer qu'ils sont pleinement engagés. S'il y a du mouvement dans le guidon, assurez-vous que le bouton de réglage de la barre est bien serré.

**NOTE:** Le siège doit avoir été retiré afin de pouvoir abaisser le guidon jusqu'au niveau du plancher du Travel Scooter. Retirez le siège en le soulevant à la verticale.

## ROTATION DU SIEGE

Le levier de rotation est situé sur le côté droit de la base du siège et le bloque dans plusieurs positions. Voir la figure 25.

1. Pesez sur le levier pour débloquer le siège.
2. Faites-le pivoter vers la direction désirée.
3. Relâchez le levier pour le bloquer en place.

## REGLAGE EN LARGEUR DES ACCOUDOIRS

La largeur des accoudoirs est réglable vers l'intérieur ou l'extérieur.

1. Desserrez les boutons de réglage. Voir la figure 25.
2. Retirez les goupilles.
3. Glissez les accoudoirs vers la largeur désirée.
4. Alignez les orifices dans le support et la structure pour insérer les goupilles.
5. Resserrez les boutons de réglage.

**NOTE:** Les accoudoirs peuvent être relevés à la verticale pour faciliter les transferts.

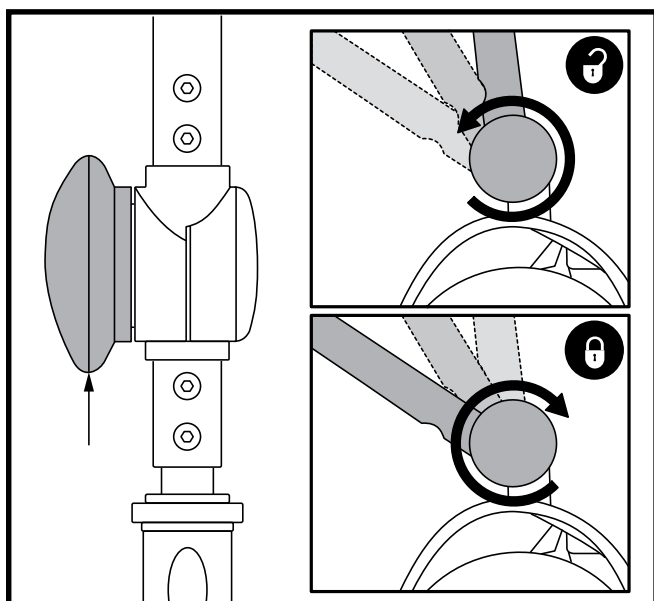


Figure 24. Réglage du guidon

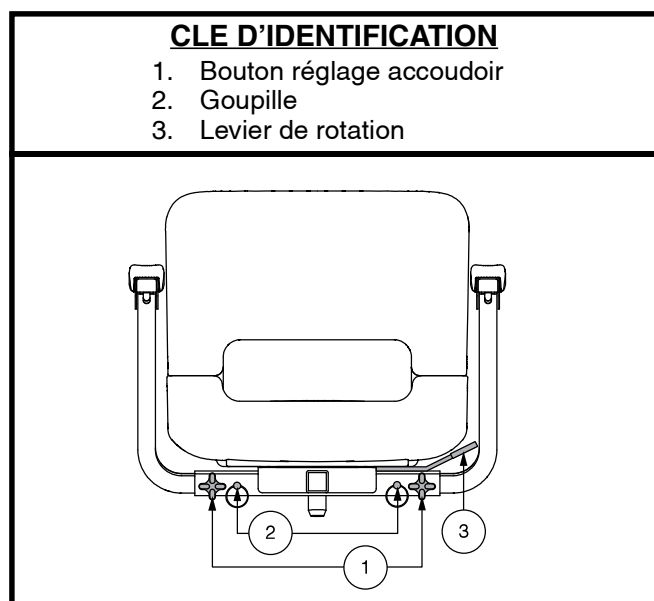


Figure 25. Réglage du siège

## V. REGLAGES CONFORT

### REGLAGE DE LA HAUTEUR DU SIEGE

La hauteur du siège peut être réglée à volonté. Voir la figure 26.

1. Retirez le siège et le boîtier à batteries de votre Travel Scooter.
2. Tirez sur l'anneau de la goupille dans la base du mât du siège.
3. Faites glisser le mât vers le niveau désiré.
4. Tenez le mât au niveau désiré, alignez les trous dans le mât avec ceux dans sa base.
5. Poussez la goupille à fond.
6. Remettez en place le module à batteries et le siège.

**NOTE:** *S'il est équipé, la fonction de stockage sous le siège doit être retirée pour obtenir une hauteur d'assise de 41.9 cm (16.5 pouces) ou moins. Reportez-vous à "Stockage sous le siège" pour plus d'informations faciliter les transferts.*

**NOTE:** *Si votre scooter de voyage est équipé d'un espace de rangement sous le siège, le levier du siège se trouve à l'avant, au centre du siège.*

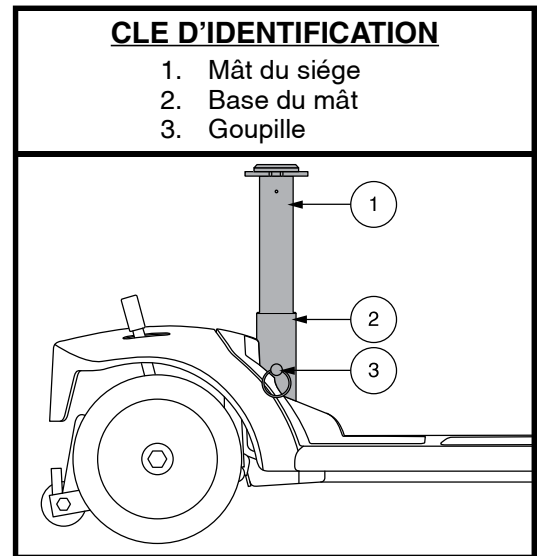


Figure 26. Réglage de la hauteur du siège

## V. REGLAGES CONFORT

### REGLAGE DE LA SUSPENSION DU SIEGE (SI EQUIPPE)

Le mât du siège agit comme un absorbeur et peut être ajusté à différents degrés pour le confort de la conduite. Utilisez les vis de réglage qui sont visibles à travers la fenêtre de réglage sur le côté du mât comme guide lors du réglage. Faites glisser le manchon en caoutchouc vers le haut pour exposer les vis de réglage. **Voir la figure 27.**

#### Pour faire les réglages du mât du siège:

1. Retirez le siège du Travel Scooter.
2. Retirez le mât du siège du Travel Scooter en retirant la goupille de détente de la partie inférieure du mât du siège, puis soulevez le mât vers le haut et enlevez-le du Travel scooter. **Voir la figure 26.**
3. Insérez une douille de 13 mm avec une extension au bas du mât. **Voir la figure 27.**
4. Tournez dans le sens des aiguilles d'une montre pour adoucir la conduite ou tournez dans le sens inverse des aiguilles d'une montre pour rendre la conduite plus dure.
5. Réinstallez le mât du siège et le siège.

### STOCKAGE SOUS LE SIEGE (SI EQUIPPE)

#### Pour utiliser le stockage sous le siège:

1. Soulevez légèrement le loquet situé sur le côté du bac de stockage sous le siège (**voir figure 28**) et pivotez le bac de stockage sous le siège vers l'extérieur et hors du Travel Scooter.
2. Pour fermer le bac de stockage sous le siège, poussez le bac de stockage sous le siège vers le centre du Travel Scooter jusqu'à ce que vous entendiez le loquet s'enclencher.



**MISE EN GARDE!** Assurez-vous que les deux bacs de stockage sous le siège sont bien verrouillés avant d'utiliser votre Travel Scooter.

#### Pour retirer le bac de stockage sous le siège:

1. Soulevez légèrement le loquet situé sur le côté du bac de stockage sous le siège (**voir figure 28**) et pivotez le bac de stockage sous le siège vers l'extérieur et hors du Travel Scooter jusqu'à qu'il soit complètement ouvert.
2. Soulevez le bac de stockage sous le siège vers le haut et hors du Travel Scooter.

#### Pour installer le bac de stockage sous le siège:

1. Alignez la fente du bac de stockage sous le siège sur le poteau de fixation.
2. Abaissez la goupille de fixation du bac de stockage sous le siège, sur le poteau de fixation et poussez le bac de stockage sous le siège vers le centre du Travel Scooter jusqu'à ce que vous entendiez le loquet s'enclencher.

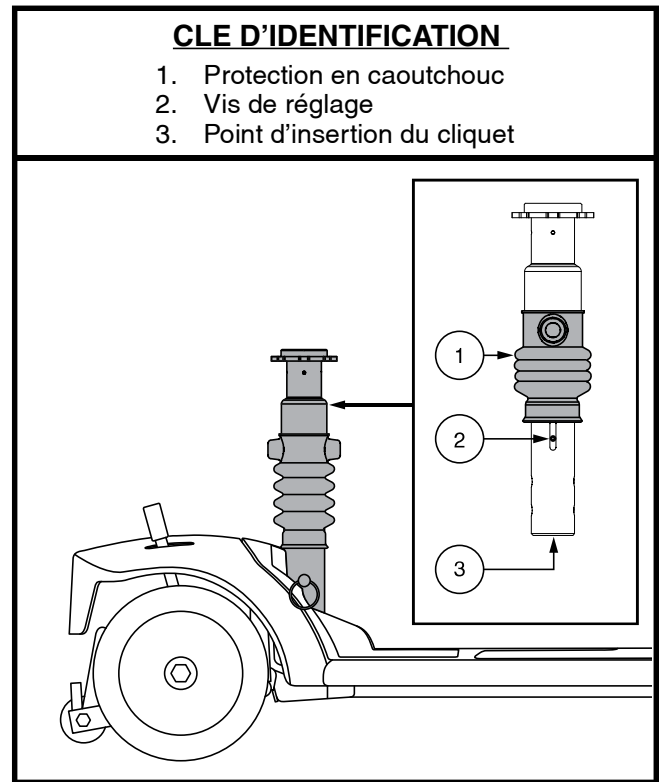


Figure 27 Réglage de la suspension du siège

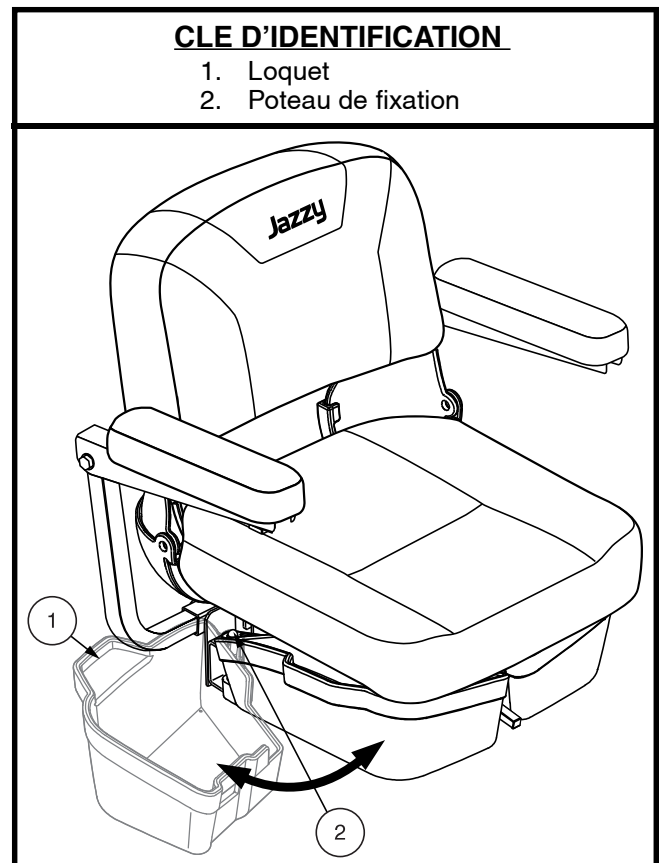


Figure 28. Stockage sous le siège

## V. REGLAGES CONFORT

### CEINTURE DE POSITIONNEMENT (FACULTATIF)

Votre Travel Scooter peut être équipé d'une ceinture de positionnement de type automobile réglable pour votre confort. **Voir la figure 30.** La ceinture de positionnement est conçue pour supporter et empêcher le conducteur de glisser ou d'avancer sur le siège. La ceinture de positionnement n'est pas une ceinture de sécurité.



**MISE EN GARDE! La ceinture de positionnement doit être sécurisée à tout moment. Ne laissez jamais la ceinture de positionnement suspendue en l'air ou trainer sur le sol car elle peut s'emmêler.**

#### Pour installer la ceinture de positionnement (si requis):

1. Retirez le siège du Travel Scooter.
2. Placez le siège à l'envers pour faire face à sa base. **Voir la figure 29.**
3. Retirez les deux boulons aux extrémités de la courroie de montage du siège.
4. Insérez les boulons dans la ceinture (bout approprié) et au travers de la courroie de montage de chaque côté du siège.
5. Resserrez les boulons.

#### Pour régler le confort de la ceinture de positionnement:

1. Insérez l'onglet de la ceinture côté droit dans la boucle de ceinture côté gauche jusqu'à ce que vous entendiez le "clic". **Voir la figure 30.**
2. Tirez sur la courroie du côté droit jusqu'à ce que la tension soit adéquate mais pas trop serrée.

#### Pour détacher la ceinture de positionnement:

1. Pesez sur le bouton de détente du mécanisme sur le boîtier de plastique.

**OBLIGATOIRE! Assurez-vous que la ceinture de positionnement soit en place et bien réglée pour votre confort.**



**OBLIGATOIRE! Avant chaque utilisation du scooter, inspectez la courroie de positionnement pour pièces détachées ou dommages, y compris les déchirures, zones usées, la quincaillerie pliée ou mécanismes de verrouillage endommagés, la saleté ou débris. Si vous découvrez un problème, contactez votre détaillant autorisé pour la réparation.**

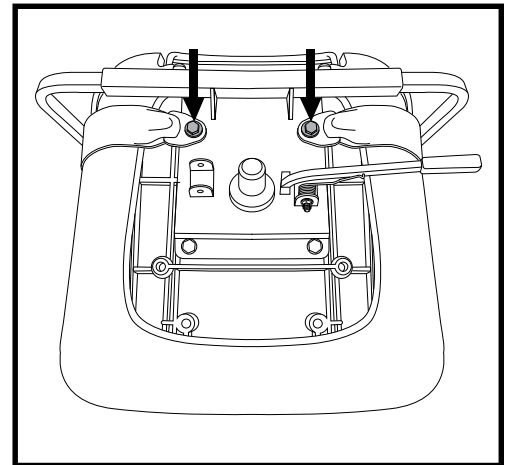


Figure 29. Boulons du ceinture de positionnement

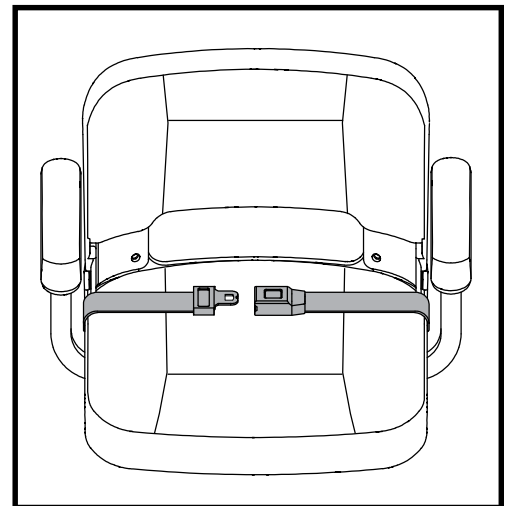


Figure 30. Ceinture de positionnement

# VI. MONTAGE ET DEMONTAGE

## DEMONTAGE

Le Travel Scooter est démontable en plusieurs sections: le siège, le stockage sous le siège, la section arrière, la section avant, le panier, le module à batteries, et la capot à batteries, (seulement des modèles 83 et 84). **Voir la figure 31.** Aucun outil n'est requis pour assembler ou démonter le Travel Scooter cependant gardez en mémoire que les pièces démontées occuperont plus d'espace de plancher que le Travel Scooter complètement assemblé. Toujours procéder à l'assemblage ou au démontage de votre Travel Scooter sur une surface sèche et à niveau. Assurez-vous d'avoir environ 1.5 mètre (cinq pieds) de dégagement dans toutes les directions. Gardez en mémoire que certaines composantes du Travel Scooter sont lourdes et qu'il vous faudra possiblement de l'aide pour les manipuler.



**MISE EN GARDE! Ne tentez pas de soulever plus que vous ne le pouvez. Demandez de l'aide au besoin pour l'assemblage ou le démontage de votre Travel Scooter.**

**MISE EN GARDE! Ne soulevez pas le siège ou scooter par les accoudoirs. Ils peuvent pivoter et vous faire perdre le contrôle.**

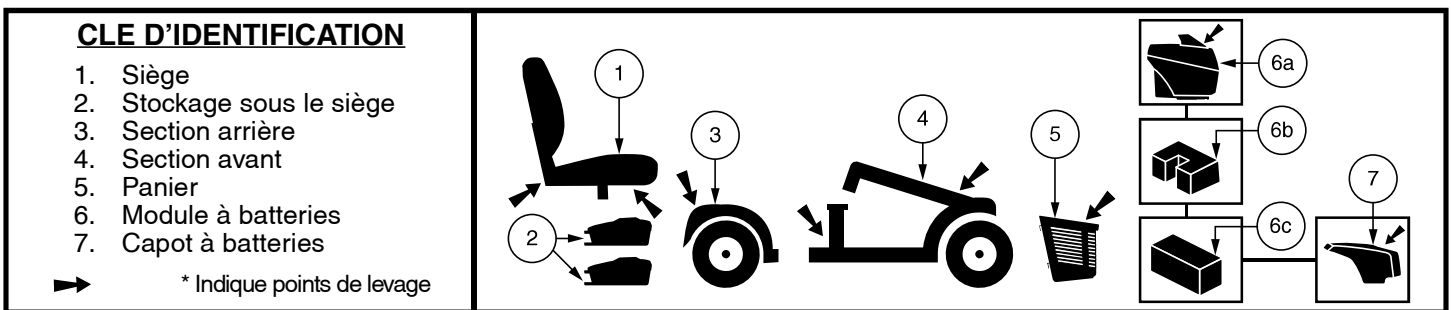


Figure 31. Démontage du Travel Scooter

## LES PROCEDURES DE DEMONTAGE - MODELES 29, 36, 336, 83, ET 84

Pour démonter votre scooter:

1. Retirez la clé du contact.
2. Pour bloquer le guidon en ligne droite, pesez sur le bouton et tournez-le 90° dans le sens des aiguilles d'une montre. **Voir la figure 32.** La roue avant doit faire face à l'avant afin de pouvoir bloquer le guidon.
3. Retirez le siège en le soulevant bien droit à la verticale. Si le siège résiste et ne s'enlève pas facilement, pesez sur le levier de pivot du siège pour le bouger de gauche à droite afin de soulever et le retirer le siège.
4. Retirez doucement le capot à batteries en le soulevant bien droit vers le haut et l'enlever du siège. (Seulement des modèles 83 et 84).
5. Débranchez les câbles de la batterie. **Voir la figure 22.**
6. Débranchez l'avant et l'arrière des câbles. **Voir la figure 22.**
7. Détachez les courroies d'ancrage des batteries. (Seulement des modèles 83 et 84). **Voir la figure 22.**
8. Retirez le module à batteries en le soulevant bien droit vers le haut et l'enlever du siège.

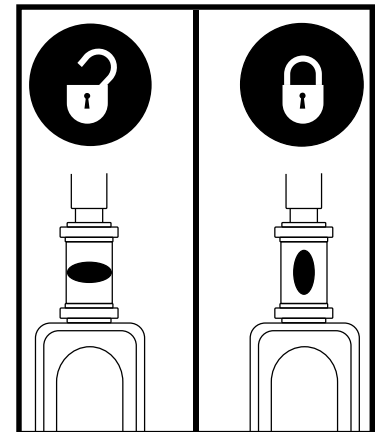


Figure 32. Bouton de verrouillage du guidon

## LES PROCEDURES DE DEMONTAGE - MODELES AAP4, 39, 40, 44, 40LX, 40X, 44X, 40E, 44E, 44LX, 49, 50LX, 50LXLIT, 54LX, 54LXLIT, 53, 53HD, 54, 54HD, 66, 67, 73, 74, ET JAZZY ZTS

Pour démonter votre scooter:

1. Retirez la clé du contact et puis pour bloquer le guidon en ligne droite, pesez sur le bouton et tournez-le 90° dans le sens des aiguilles d'une montre. **Voir la figure 32.** La roue avant doit faire face à l'avant afin de pouvoir bloquer le guidon.
2. Si équipé, retirer le stockage sous le siège. **Voir la figure 28.**
3. Retirez le siège en le soulevant bien droit à la verticale. Si le siège résiste et ne s'enlève pas facilement, pesez sur le levier de pivot du siège pour le bouger de gauche à droite afin de soulever et le retirer le siège.
4. Retirez le module à batteries en le soulevant bien droit vers le haut et l'enlever du siège.

**NOTE: Veuillez vérifier la table des caractéristiques du Travel Scooter sur la page 42 afin de déterminer si votre scooter dispose d'un levier de blocage ou d'une goupille de verrouillage en place avant de tenter de séparer le châssis.**

# VI. MONTAGE ET DEMONTAGE

## DEMONTAGE DU CHASSIS

### Pour séparer le cadre:

1. Avec le siège et la batterie retirés (voir les procédures de démontage sur la page précédente), abaissez le guidon et serrez le bouton de réglage. **Voir la figure 24.**
2. Retirez la goupille de verrouillage du châssis. (Seulement des modèles 29, 36, 336, 83 et 84.)
3. Tirez sur le levier de blocage du châssis, (**Ou tirez le mât du siège sur les modèles 29, 36, 336, 83, et 84**) faites la section arrière vers l'arrière jusqu'à ce que les crochets se dégagent de la tubulure du châssis inférieur.
4. Séparez doucement les sections du Travel Scooter. **Voir la figure 33.**

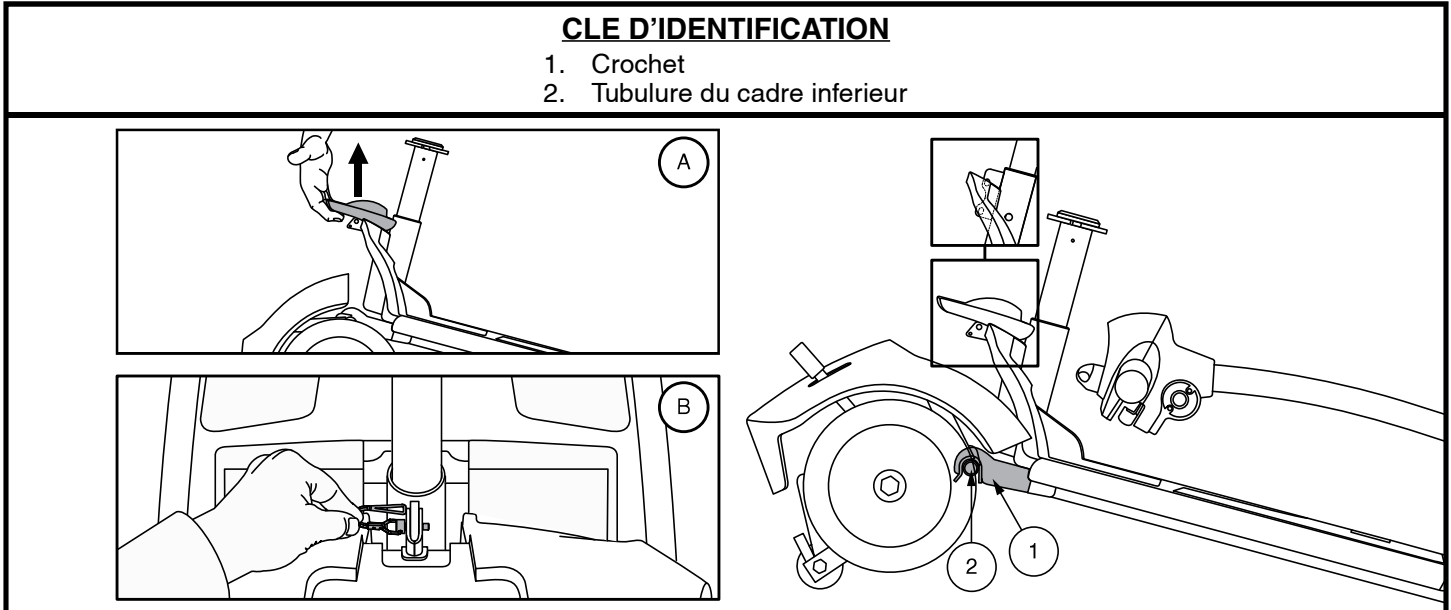


Figure 33. Levier de blocage du cadre (Style A) et Libérez la goupille de verrouillage de blocage du châssis (Style B)

## MONTAGE

**NOTE:** Avant de débiter l'assemblage, basculez légèrement la section arrière du Travel Scooter vers ses rolettes antibasculer tel que montré dans la figure 33.

### Pour assembler votre scooter:

1. Soulevez la section avant par le levier de blocage (ou le mât du siège sur les modèles 29, 36, 336, 83, et 84) et alignez les crochets avec la tubulure de la section arrière. **Voir la figure 33.**
2. Une fois que les crochets du châssis sont sur le tube inférieur du châssis, abaissez la section inférieure avant et faites pivoter la section arrière simultanément. Ceci engagera le verrouillage du châssis automatiquement pour les modèles AAP4, 39, 40, 44, 40LX, 40X, 44X, 40E, 44E, 44LX, 49, 50LX, 50LXLIT, 53, 53HD, 54, 54LX, 54LXLIT, 54HD, 66, 67, 73, 74, et Jazzy ZTS. Pour les modèles 29, 36, 336, 83, et 84, vous aurez besoin de réinstaller la goupille de verrouillage du châssis pour terminer l'assemblage du corps. **Voir la figure 33.**
3. Remontez complètement le guidon en position et resserrez le bouton de blocage. **Voir la figure 24.**
4. Réinstallez le module à batteries. Pour les modèles 29, 36, 336, 83, et 84, assurez-vous de rebrancher la batterie et les câbles avant et arrière de la batterie.
5. Réinstallez le siège et faites-le pivoter pour le bloquer en place.
6. Débloquez la roue avant en tournant le bouton de blocage 90° dans le sens opposé aux aiguilles d'une montre. **Voir la figure 32.**
7. Si équipé, installez le stockage sous le siège. **Voir la figure 28.**



**MISE EN GARDE!** Toujours vérifier que le guidon est déverrouillé avant de monter sur votre Travel Scooter.



## VII. PROBLEMES ET SOLUTIONS

Tout appareil électronique nécessite un entretien régulier. Souvent, lorsque des problèmes surviennent, le gros bon sens règle la plupart d'entre eux. De plus, plusieurs problèmes sont causés par des batteries défectueuses ou insuffisamment chargées.

### CODES DIAGNOSTIQUES

Ce type de diagnostic est prévu pour vous aider à identifier les problèmes possibles avec votre Travel Scooter. Ce codes diagnostiques se produira dans l'éventualité ou une des situations décrites ci-dessous se manifeste. Selon le modèle que vous possédez, votre Travel scooter communiquera à l'aide des méthodes de codage suivantes:

1. Un codes diagnostiques commence par une série de bips et / ou flashs représentant le code actuel. Le code est émis une fois seulement. Pour répéter le code, retirez la clé et réinsérez-la et et tournez vers la position "on", **OU**
2. Un codes diagnostiques permettra d'identifier la condition, en pause, puis le code sonore se répétera. Le code continuera à vous alerter de cette manière jusqu'à ce que le scooter soit éteint.

**NOTE: Votre Travel Scooter ne fonctionnera pas tant que la condition qui crée ce codes diagnostiques n'est pas résolue et que votre Travel Scooter a été éteint puis rallumé.**

CODES DIAGNOSTIQUES	PROBLEMES	SOLUTION
■ (1)	Batteries trop faibles pour le fonctionnement du Travel Scooter.	Rechargez les batteries dès que possible.
■ ■ (2)	Batteries faibles.	Rechargez les batteries.
■ ■ ■ (3)	Voltage trop élevé pour le fonctionnement ou le chargeur est encore branché au réceptacle.	Débranchez le chargeur, coupez le contact et rétablissez-le. Si vous descendez une pente, réduisez la vitesse du scooter au minimum.
■ ■ ■ ■ (4)	Coupe-circuit automatique engagé.	Coupez le contact pendant quelques minutes puis, rétablissez-le.
■ ■ ■ ■ ■ (5)	Le levier d'embrayage est en position débrayé (vers l'avant).	Coupez le contact (retirez la clé) poussez le levier d'embrayage vers l'arrière (embrayé) et remettez le contact.
■ ■ ■ ■ ■ ■ (6)	Levier d'accélérateur n'est pas en position centrée lorsque lors de l'allumage.	Vérifiez si les batteries sont chargées complètement. Si elles le sont, alors remplacez le levier au centre, coupez le contact et rétablissez-le.
■ ■ ■ ■ ■ ■ ■ (7)	Potentiomètre de vitesse en panne.	Contactez votre détaillant autorisé pour obtenir de l'aide.
■ ■ ■ ■ ■ ■ ■ ■ (8)	Moteur en panne.	Contactez votre détaillant autorisé pour obtenir de l'aide.
■ ■ ■ ■ ■ ■ ■ ■ ■ (9)	Autres problèmes internes.	Contactez votre détaillant autorisé pour obtenir de l'aide.

### Que faire si le Travel Scooter refuse de bouger lorsque j'appuis sur les accélérateurs?

- Lorsque le levier d'embrayage est en position poussée vers l'avant, les freins sont relâchés et le courant est complètement coupé.
- Poussez le levier d'embrayage vers l'arrière, coupez le contact du Travel Scooter puis remettez le contact pour rétablir le fonctionnement normal.

## VII. PROBLEMES ET SOLUTIONS

### Que faire si le Travel Scooter semble complètement “mort?”

- Assurez-vous que la clé de contact est bien insérée à fond.
- Vérifiez que les batteries soient pleinement chargées.
- Pesez sur le bouton du disjoncteur principal. Voir la section II. “Votre Travel Scooter”.
- Assurez-vous que le module est bien en place.
- Assurez-vous que les câbles avant et arrière sont bien branchés. (Seulement des modèles 29, 36, 336, 83, et 84.)
- Assurez-vous que le dispositif sauve énergie n’est pas activé. Voir la section IV. “Fonctionnement”.
- Vérifiez le fusible sous le module à batteries.

### Dans l’éventualité où un fusible venait à brûler:

1. Retirez le fusible de sa fente en tirant dessus.
2. Examinez-le pour vérifier s’il est brûlé. **Voir la figure 34.**
3. Insérez un nouveau fusible de résistance adéquate.



**MISE EN GARDE! Le nouveau fusible doit être identique à celui que vous devez remplacer sous peine d’endommager le système électrique.**

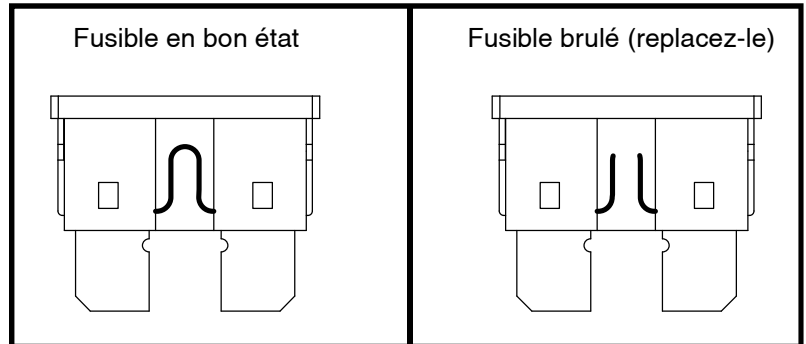


Figure 34. Le remplacement des fusibles

### Que faire si les batteries de mon Travel Scooter ne se rechargent pas?

- Vérifiez le fusible situé sous le module à batteries. Remplacez-le au besoin.
- Pendant la recharge, si le voyant du chargeur ne s’allume pas pour indiquer que la recharge est complétée, vérifiez le fusible situé sous le module à batteries. Remplacez-le au besoin.
- Assurez-vous que les deux extrémités du cordon du chargeur sont bien branchées.
- Si le fusible du module à batteries saute continuellement, contactez votre détaillant autorisé.

### Que faire si le disjoncteur saute à répétition?

- Si le disjoncteur principal saute continuellement, contactez votre détaillant autorisé.
- Rechargez vos batteries plus souvent. Voir la section III. “Batteries et recharge”.
- Voyez la section III. “Batteries et recharge” ou la section “Specifications de Produit” pour les informations concernant les batteries de votre Travel Scooter.

### Que faire si l’aiguille de la jauge à batteries plonge et que le moteur hésite lorsque j’appuis sur l’accélérateur de mon Travel Scooter?

- Rechargez complètement vos batteries. Voir la section III. “Batteries et recharge”.

Si vous rencontrez des problèmes que vous n’arrivez pas à résoudre vous-même, contactez votre détaillant autorisé pour obtenir des informations ou du service.

## VIII. SOINS ET ENTRETIEN

Votre Travel Scooter demande un minimum de soins. Si vous croyez ne pas posséder les connaissances et habiletés pour exécuter les consignes suivantes, vous pouvez les faire exécuter par votre détaillant autorisé. Les points suivants demandent un entretien périodique.

### PNEUS

Inspectez régulièrement les pneus pour détecter les signes du dommage ou d'usure.

### REPLACEMENT D'UNE ROUE/PNEU

Votre Travel Scooter est équipé de pneus à âme pleine. Si vous avez un pneu endommagé ou usé, la roue entière doit être remplacée. Contactez votre détaillant autorisé pour de plus amples informations au sujet des pneus de remplacement pour votre Travel Scooter.

**MISE EN GARDE! Seulement votre détaillant autorisé ou un technicien spécialisé doit réparer les roues de votre Travel Scooter.**



**MISE EN GARDE! Assurez-vous que la clé est retirée de l'interrupteur à clé et le Travel Scooter n'est pas en mode roue libre avant d'effectuer cette réparation procédure.**

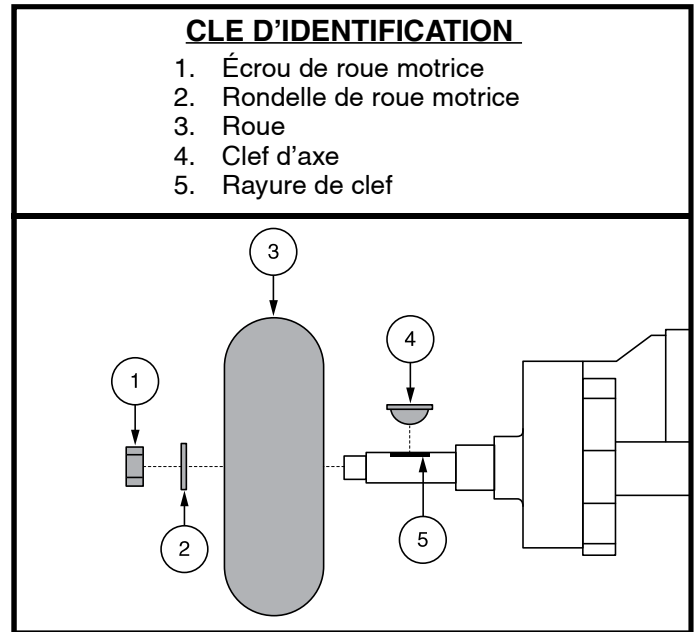


Figure 35. Enlèvement de la roue motrice à âme pleine

Procédez selon les étapes suivants pour réparer les pneus à âme pleine en toute sécurité:

1. Enlevez la clé du contact et assurez-vous le Travel Scooter n'est pas en mode roue libre.
2. Élevez le côté du Travel Scooter sur lequel vous désirez enlever le pneu. Placez des cales de bois sous la structure du Travel Scooter pour l'élever.
3. Enlever le l'écrou et la rondelle de roue motrice sur l'essieu. **Voir la figure 35.**
4. Retirez la roue motrice de son essieu.
5. Glisser la nouvelle roue en place. Assurez-vous que la clé est bien ancrée dans la rayure de clef.



**MISE EN GARDE! Assurez-vous que la clé de l'essieu soit correctement installée dans la fente de l'essieu lors du montage de la roue. Si elle n'est pas installée en toute sécurité, les freins sont relâchés qui peut provoquer cela pourrait causer des blessures et/ou dommages au produit.**

6. Réinstallez la rondelle et l'écrou sur l'essieu et serrez bien.



**MISE EN GARDE! Assurez-vous de bien réinstaller la rondelle et l'écrou avant de serrer correctement.**

7. Retirez les cales sous le Travel Scooter.

### SURFACES EXTERNES

Les pare-chocs et garnitures peuvent bénéficier d'une couche occasionnelle de protecteur à caoutchouc.



**MISE EN GARDE! Ne jamais appliquer de protecteur à caoutchouc sur la bande de roulement des pneus ou sur le siège de vinyle au risque de les rendre très glissants.**

### NETTOYAGE ET DESINFECTION

Des précautions doivent être prises lors du nettoyage des équipements/dispositifs pour réduire le risque de propagation de l'infection. Il s'agit de limiter la propagation de la maladie et d'autres matériels potentiellement infectieux (OPIM) (composants sanguins).

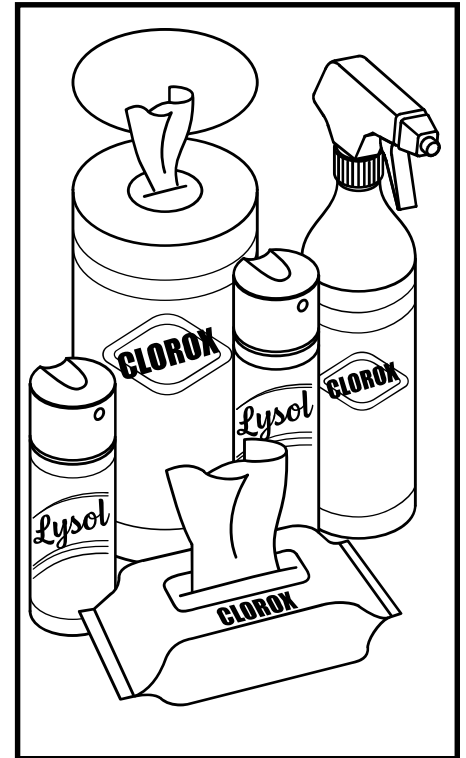
## VIII. SOINS ET ENTRETIEN

- Utilisez un linge humide sans agent abrasif pour nettoyer les surfaces de métal ou de plastique de votre scooter. Évitez les produits abrasifs qui abîmeront les surfaces de votre scooter.
- Au besoin, utiliser un produit désinfectant. Assurez-vous que le produit n'est pas dangereux avant de l'utiliser.

### COMMENT NETTOYER/DÉSINFECTER L'ÉQUIPEMENT:

**SURFACES DURES/MOLLES** (enveloppes en plastique, charpente métallique, tissu de siège, pneus, accoudoirs et repose-pieds, le cas échéant)

- Pour les surfaces dures/molles, éliminez la contamination visible si elle est présente.
  - Pour le plastique et le métal, utilisez le spray/lingettes désinfectantes Lysol®/Clorox® et d'autres produits désinfectants SARS-CoV-2 qualifiés.
  - Pour les autres surfaces en vinyle, nettoyez avec des lingettes désinfectantes sans danger pour le vinyle ou solutions.
    - Désinfectants suggérés
      - Désinfectant Birex® SE, Bleach-Rite® Spray désinfectant, Citrace® Germicide
      - Dispatch® Spray Hospital Cleaner Désinfectant avec Eau de Javel
      - Solution d'eau de Javel diluée (dilution à 10% ou moins);  
Remarque : un agent de blanchiment avec un facteur de pH compris entre 7 et 9 convient ; un produit avec un pH de 10,5 ou plus peut endommager l'intégrité de la surface du vinyle sur une longue période de temps.
    - Lingettes désinfectantes
      - Clorox, Green Works, Lingettes PDI Sani-Cloth HB Lysol, Oxivir, Virox et CaviWipes.
  - Pour le nettoyage des pneus, nettoyez avec des nettoyeurs pour pneus/roues du commerce



**ÉLECTRONIQUE** (contrôleur joystick, écrans améliorés, écrans tactiles, télécommandes, claviers, téléphones portables et tablettes, le cas échéant)

- Pour l'électronique, éliminez la contamination visible si elle est présente.
  - Désactivez le périphérique et déconnectez les piles.
  - Ne vaporisez jamais de liquides directement dans le(s) produit(s).
  - Humidifiez un chiffon en microfibre avec un mélange d'alcool isopropylique à 70 % / solution d'eau à 30 %. Le tissu doit être humide, mais pas dégoulinant ou excessivement mouillé. Séchez soigneusement les surfaces pour éviter les accumulations de liquides et avant la boxeg.

**MISE EN GARDE! Suivez toutes les consignes de sécurité pour une utilisation appropriée du désinfectant et/ou de l'agent de nettoyage avant de l'appliquer sur votre produit. Le non-respect de cette consigne peut entraîner une irritation de la peau ou une détérioration prématurée du revêtement et/ou des finitions du Travel Scooter.**



**MISE EN GARDE! N'arrosez jamais votre Travel Scooter au jet d'eau et ne le placez jamais en contact direct avec de l'eau. Votre Travel Scooter a un carénage en plastique ABS peint qui lui permet d'être facilement nettoyé avec un chiffon humide.**

**MISE EN GARDE! N'utilisez jamais de produits chimiques pour nettoyer un siège en vinyle, car ils pourraient rendre le siège glissant ou se dessécher et se fissurer. Utilisez de l'eau savonneuse et séchez soigneusement le siège.**

# VIII. SOINS ET ENTRETIEN

## CONNEXIONS DES BORNES DE BATTERIES

Assurez-vous que les connexions des bornes de batteries sont bien serrés et libre de corrosion.

## CABLAGES ELECTRIQUES

- Vérifiez régulièrement l'état de la gaine du câble avant/arrière.
- Inspectez régulièrement la gaine protectrice de fils et câbles incluant le cordon du chargeur à batteries.
- Faites réparer tous les câbles ou les fils endommagés par votre détaillant autorisé avant d'utiliser votre Travel Scooter.



**INTERDIT! Même si votre Travel Scooter a réussi un test de résistance à l'humidité, éloignez-le des sources d'humidité ou de liquide tel que l'eau de lavage et l'incontinence. Inspectez régulièrement les composants pour déceler la corrosion.**



**MISE EN GARDE! Ne tirez pas directement sur les câbles pour les détacher du Travel Scooter. Il faut toujours prendre le connecteur pour détacher le câble afin d'éviter les dommages.**

## ENTRETIEN QUOTIDIEN

- Coupez le contact avant de vérifier l'accélérateur. Assurez-vous que le mât de l'accélérateur n'est pas tordu et qu'il revient bien à la verticale lorsque vous le relâchez. Ne tentez pas de les réparer, contactez plutôt votre détaillant autorisé.
- Inspectez visuellement le câble du module. Si vous découvrez des coupures ou des fils exposés, contactez votre détaillant autorisé.
- Vérifiez les déformations sur les pneus à âme pleine. Ils peuvent affecter la stabilité du Travel Scooter.
- Inspectez les fixations d'accoudoirs pour déceler du jeu excessif, des dommages ou des signes de stress. Voyez votre détaillant autorisé si vous trouvez un problème.
- Vérifiez les freins. Ce test doit être exécuté sur une surface à niveau et avec au moins un mètre de dégagement autour de votre Travel Scooter.

### Pour vérifier les freins:

1. Mettez le contact et réglez le bouton de vitesse au plus lent.
2. Attendez une seconde et vérifiez l'état des batteries. La tension doit se maintenir.
3. Tirer doucement sur l'accélérateur jusqu'à ce que vous entendiez les freins électriques se relâcher. Relâchez immédiatement l'accélérateur. Vous devez entendre le déclic presque immédiatement à chaque fois que vous poussez la manette. Répétez ce test trois en tirant sur l'accélérateur dans les directions opposées.

## VERIFICATIONS HEBDOMADAIRES

- Débranchez le contrôleur du module d'alimentation pour l'inspecter. Vérifiez qu'il n'y a pas de traces de corrosion. Contactez votre détaillant autorisé au besoin.

## VERIFICATIONS MENSUELLES

- Vérifiez les roulettes antibascule, elles ne doivent pas toucher le sol lorsque vous avancez.
- Vérifiez l'usure des roulettes. Remplacez-les au besoin.
- Vérifiez l'usure des pneus. Voyez votre détaillant autorisé pour les remplacer.
- Gardez votre travel scooter bien propre, enlevez la boue, les cheveux, la nourriture, etc.

## VERIFICATIONS ANNUELLES

Apportez votre travel scooter chez votre détaillant autorisé au moins une fois par année pour une inspection, surtout si vous utilisez votre travel scooter régulièrement. Vous serez ainsi assuré qu'il fonctionne correctement et vous préviendrez des complications futures.

## VIII. SOINS ET ENTRETIEN

### CAPOTS

Si votre Travel Scooter dispose d'un carénage avec une  **finition brillante**, le carénage a été pulvérisé avec un revêtement d'étanchéité transparent. Vous pouvez appliquer une légère couche de cire de voiture pour l'aider à conserver son aspect brillant. Si votre Travel Scooter dispose d'un carénage avec une  **finition mate**, utilisez  **UNIQUEMENT** les produits développés pour la peinture mate. N'utilisez pas de cire, d'aérosol de nettoyage, ArmorAll® ou tout autre produit fabriqué pour des peintures brillantes.



**MISE EN GARDE! Choisissez avec précaution le produit approprié pour protéger la finition du ou des carénages de votre Travel Scooter. Seuls les produits développés pour la peinture mate doivent être utilisés sur des carénages avec une finition mate. Le non-respect de cette mise en garde peut endommager la fini de peinture mate du carénage.**

### ROULEMENTS A BILLE ET MODULE MOTEUR/TRANSMISSION

Ces pièces sont scellées à l'usine et ne requièrent aucune lubrification.

### CONSOLE, CHARGEUR ET MODULE DE COMMANDES ELECTRONIQUES

- Protégez-les de l'humidité.
- Si une de ces composantes venait à être exposée à de l'humidité, laissez sécher votre Travel Scooter complètement avant de l'utiliser à nouveau.

### REPLACEMENT D'ECROU AUTOFREINE EN NYLON

Tout écrou autofreiné en nylon retiré pendant l'entretien périodique, la réparation, le montage ou démontage du Travel Scooter doit être remplacé par un neuf. Les écrous de nylon ne doivent pas être réutilisés car ceux-ci peuvent se desserrer et entraîner un danger. Des écrous de remplacement en nylon sont disponibles dans les quincailleries ou chez votre détaillant autorisé.

### ENTREPOSAGE DE VOTRE TRAVEL SCOOTER

Si vous pensez ne pas utiliser votre Travel Scooter pour une période prolongée:

- Rechargez les batteries complètement avant d'entreposer votre Travel Scooter.
- Débranchez les batteries du Travel Scooter.
- Entreposez votre Travel Scooter dans un endroit sec à l'abri du gel.
- Évitez d'entreposer votre Travel Scooter dans un endroit exposé à des températures extrêmes.
- Bien que votre Travel Scooter puisse supporter des températures de stockage à court terme entre -40°C (-40°F) et 65°C (149°F), il est recommandé que les températures de stockage à long terme se situent entre -25°C (-13°F) et 50°C (122°F). Les conditions de stockage idéales sont de 20°C (68°F) à 21°C (70°F) dans la mesure du possible, mais nous savons que ce n'est pas toujours possible en raison des différents climats et environnements.

Des batteries qui sont souvent déchargées trop profondément, rechargées de manière infrequente, entreposées sous des températures extrêmes ou insuffisamment chargées peuvent être endommagées de façon permanente. Ces batteries auront de piètres performances et durent moins longtemps. Il recommande de recharger les batteries de votre Travel Scooter de façon périodique pendant l'entreposage prolongé afin de protéger leurs performances futures.



**MISE EN GARDE! Si les batteries de votre Travel Scooter venaient à geler, ne tentez pas de les recharger. Une batterie gelée doit être laissée dans un endroit tempéré plusieurs jours avant d'être rechargée.**

Afin de protéger les pneus pendant l'entreposage, placez des cales de bois sous le Travel Scooter de manière à ce que les pneus ne soient pas en contact avec le sol. Ceci évitera la déformation de la semelle.

### COMMENT DISPOSER DE VOTRE TRAVEL SCOOTER

Vous devez disposer de votre Travel Scooter en respectant les règlements en vigueur dans votre localité. Contactez votre centre de recyclage ou votre détaillant autorisé pour les informations pour la mise au rebut de l'emballage, des composantes métalliques, plastiques, électroniques, batteries, néoprène, silicone, et les matériaux de polyuréthane.



**MISE EN GARDE! Les sacs en plastique présentent un risque de suffocation. Jeter les sacs en plastique correctement et ne pas permettre aux enfants de jouer avec eux.**

# NOTES

# NOTES





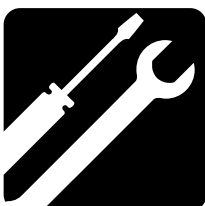
MONTAJE



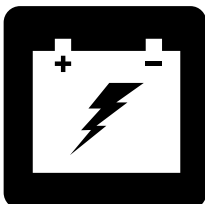
FUNCIONAMIENTO



CONFORT



MANTENIMIENTO



BATERÍAS Y SU CARGA




# TRAVEL SCOOTER SERIE

## MANUAL DE USUARIO

---

# CUADRO DE CARACTERÍSTICAS GENERALES

Modelo	Consola del manillar					Tipo de baterías					Baterías y su carga		Bloqueo de la estructura		Opciones *					
	A	B	C	D	E	F	G	A	B	C	D	E	Unidad encendida	Unidad apagada	A (Palanca de extracción)	B (Chaveta de bloqueo)	Suspensión del asiento	Iluminación	Paneles de la carrocería	
 AAP4							•	•					•							
29	•								•				•							
36	•								•				•							
336	•								•				•							
39		•						•					•							
40		•						•					•							•
44							•	•					•							•
40X	•							•					•							
44X	•							•					•							
40E													• AU only							•
44E													• AU only							•
40LX								•					•				•			•
44LX								•					•				•			•
49		•						•					•							
50LX								•					•							•
54LX								•					•							•
50LXLIT								•					•							•
54LXLIT								•					•							•
53								•					•							•
53HD								•					•							•
54								•					•							•
54HD								•					•							•
66													•							•
67													•							•
73								•					•				•			•
74								•					•				•			•
83		•											•							•
84		•											•							•
Jazzy ZTS													•							•

\*NOTA: Las opciones del Travel Scooter pueden variar en función del país. Póngase en contacto con su proveedor para determinar las opciones disponibles para su Travel Scooter.

# CONSIGNAS DE SEGURIDAD



**¡ADVERTENCIA!** Un proveedor autorizado o un técnico cualificado deberá realizar la configuración inicial del scooter, así como cualquier otro procedimiento de este manual.

Los símbolos que se muestran a continuación son utilizados en este manual y en el scooter para identificar advertencias y avisos importantes. Asegúrese de que los ha leído y comprendido perfectamente.



**¡ADVERTENCIA!** Indica una situación o circunstancia potencialmente peligrosa. De no seguir los procedimientos indicados, podría provocar en usted o en terceros lesiones físicas, y daños o averías en el material. En el producto, este icono tiene forma de símbolo negro en un triángulo amarillo con borde negro.



**¡OBLIGATORIO!** Pasos que deben realizarse tal y como se indica. De no realizar las acciones obligatorias, podría sufrir lesiones y/o daños en el material. En el producto, este icono tiene forma de símbolo blanco sobre un círculo azul con borde blanco.



**¡PROHIBIDO!** Estas acciones están prohibidas, cualquiera que sea el tiempo o las circunstancias. La realización de acciones prohibidas puede provocar lesiones personales y/o daños en el material. En el producto, este icono tiene forma de símbolo negro con un círculo y raya rojos.

**NOTA:** Intente memorizar el número de modelo de su Travel Scooter, que podrá encontrar en la hoja de especificaciones del producto incluida en el paquete. A lo largo de este manual de usuario, las características del Travel Scooter aparecen identificadas con un número de modelo (primera columna de la izquierda del Cuadro de Características Generales). Al conocer el número de modelo de su unidad podrá determinar las características particulares y exclusivas de su Travel Scooter.

## Uso INDICADO

El uso previsto de este dispositivo Pride Mobility Products es proporcionar asistencia de movilidad a personas con problemas de movilidad que tienen la capacidad de operar un scooter de movilidad motorizado.

## CON RESPECTO A LOS DISPOSITIVOS RECETADOS

Nuestros productos de movilidad y sus componentes están disponibles para la venta al por menor (“sin receta”) o con receta médica. Cuando se prescribe, se aplica la siguiente declaración.



**¡ATENCIÓN!** La ley federal limita a este dispositivo a su venta por parte de o por orden de un médico u otro profesional certificado y que cuente con licencia de la ley del estado (sólo en los EE.UU.) o de la región en donde ejerce este profesional para usar u ordenar el uso de este dispositivo.

**NOTA:** El presente manual de instrucciones recoge las últimas especificaciones e informaciones disponibles en el momento de su publicación. Nos reservamos el derecho a aportar modificaciones en caso necesario. Cualquier modificación en nuestros productos puede provocar ligeras variaciones entre las ilustraciones y explicaciones de esta guía y el producto que ha comprado. En nuestro sitio web encontrará la versión última/actual de este manual.

**NOTA:** Este producto cumple las directivas y normativas WEEE, RoHS y REACH.

**NOTA:** Este producto cumple con la clasificación IPX4 (IEC 60529).

**NOTA:** Ni Travel Scooter ni sus componentes están fabricados con látex de goma natural. Consulte al fabricante con respecto a cualquier accesorio o pieza de repuesto.

# ÍNDICE

<b>CONSIGNAS DE SEGURIDAD .....</b>	<b>83</b>
<b>I. SEGURIDAD .....</b>	<b>85</b>
<b>II. SU TRAVEL SCOOTER .....</b>	<b>87</b>
<b>III. BATERÍAS Y SU CARGA .....</b>	<b>98</b>
<b>IV. FUNCIONAMIENTO .....</b>	<b>105</b>
<b>V. OPTIMIZAR EL CONFORT .....</b>	<b>107</b>
<b>VI. DESMONTAJE/MONTAJE .....</b>	<b>111</b>
<b>VII. RESOLUCIÓN DE PROBLEMAS .....</b>	<b>113</b>
<b>VIII. CUIDADO Y MANTENIMIENTO .....</b>	<b>115</b>

# I. SEGURIDAD

## SÍMBOLOS DE SEGURIDAD

Estos símbolos aparecen en su Travel Scooter y sirven para identificar advertencias, acciones obligatorias o prohibidas. Asegúrese de que los ha leído y comprendido perfectamente.

**NOTA:** En la *Guía de Seguridad del Usuario* suministrada con su Travel Scooter encontrará la explicación de otras advertencias de uso. Familiarícese con todas las advertencias de uso y otra información de seguridad indicadas en la *Guía de Seguridad del Usuario* y remítase regularmente a esta fuente.



**Lea con atención la información del manual de usuario.**



**Etiqueta de información del Scooter**



**Antes de empezar a manejarlo, cargue completamente las baterías.**

**Quite la llave del Travel Scooter si no lo está utilizando.**



**Indica los puntos de amarre del Travel Scooter.**



**No cumple la normativa ISO 7176-19 sobre vehículos de transporte ocupados dentro de un vehículo a motor. No permanezca sentado en su Travel Scooter mientras viaja en un vehículo a motor.**



**Fabricado en**

# I. SEGURIDAD

## GENERAL



**¡OBLIGATORIO!** Antes de utilizar su Travel Scooter por primera vez, lea y siga todas las instrucciones de este manual y de la Guía de Seguridad del Usuario.

Este Travel Scooter es un dispositivo que incorpora las últimas tecnologías tendentes a aumentar su movilidad. Nos ofrecemos una amplia gama de productos ajustados a sus necesidades particulares. Recuerde que la decisión final acerca de la compra de un determinado tipo de Travel Scooter es responsabilidad exclusiva del usuario de dicho Travel Scooter, capaz de tomar tal decisión, y de su profesional sanitario (por ej. médico, terapeuta, etc.).

El contenido de este manual está supeditado a los ajustes realizados por un experto en tales dispositivos para adaptarlo al usuario, habiendo asistido al profesional sanitario prescriptor o al proveedor autorizado en lo que respecta a la asistencia para la utilización de este producto.

Existen determinadas situaciones, como algunas enfermedades, para las que será obligatoria la presencia de una persona debidamente cualificada durante el manejo del Travel Scooter. Esta persona encargada podrá ser un miembro de la familia o un asistente sanitario especialmente preparado para ayudarle en las tareas diarias que realice mientras utiliza el Travel Scooter.

Al empezar a utilizar el Travel Scooter, probablemente se encuentre con situaciones para las que necesite una mayor práctica. Tómese el tiempo necesario. Pronto sentirá una mayor confianza y control en el manejo a través de puertas, al girar en curvas o al entrar o salir de ascensores, rampas o en superficies irregulares.

El producto viene con otra información de carácter general, hojas de datos técnicos y otros folletos comerciales. Lea detenidamente y revise toda la información y guárdela en un lugar seguro para consultas futuras.

Seguidamente, se muestran algunas precauciones, trucos y otras consignas de seguridad que le ayudarán a familiarizarse con el funcionamiento de su Travel Scooter.

## INSPECCIÓN DE SEGURIDAD PREVIA

Familiarícese con su Travel Scooter y sus funciones. Recomendamos que realice una inspección previa de seguridad para confirmar que su Travel Scooter funciona de manera correcta y segura.

### Antes de utilizar el Travel Scooter, inspeccione lo siguiente:

- Verifique el estado de las ruedas. Asegúrese de que no estén dañadas ni demasiado gastadas.
- Compruebe todas las conexiones eléctricas. Asegúrese de que estén tensas y sin corrosión.
- Compruebe todas las conexiones del regulador al panel eléctrico. Asegúrese de que estén bien tensadas.
- Compruebe los frenos y asegúrese de que funcionen correctamente.
- Compruebe el indicador de nivel de batería para asegurarse de que las baterías estén totalmente cargadas.
- Compruebe que la palanca manual está en el modo conducción antes de sentarse en el Travel Scooter.

Si encuentra algún problema, póngase en contacto con su proveedor autorizado. Consulte la hoja de información de contacto suministrada con el producto.

## II. SU TRAVEL SCOOTER

### CONSOLA DEL MANILLAR

En la consola del manillar están ubicados todos los controles necesarios para manejar el Travel Scooter: cerradura de contacto, palanca aceleradora, claxon, regulador de velocidad e indicador de batería. Consulte el Cuadro de características generales en la página 74 para determinar cuál es la figura de consola correspondiente a su modelo (fig. 1 a 7).



**¡PROHIBIDO! No deje que la consola se humedezca. Si la consola estuviera humedecida, espere hasta que se seque completamente antes de manejar el Travel Scooter.**

#### CLAVES DE IDENTIFICACIÓN PARA LAS FIGURAS 1 A 7

- |  |                                |
|--|--------------------------------|
| 1. Claxon  | 7. Fusible de cargador externo |
| 2. Cerradura de contact  | 8. Fusible de Iluminación      |
| 3. Indicador de batería  | 9. Interruptor de iluminación  |
| 4. Regulador de velocidad                                      | 10. Cargador USB               |
| 5. Palanca aceleradora   | 11. Interruptor Máx-Mín        |
| 6. Tomo de alimentacion del cargador<br>(puerto del manillar)* |                                |

\*Tomo de alimentacion del cargador (puerto del manillar) también funciona como puerto de programación en las consolas del manillar E y F (fig. 5 y 6).

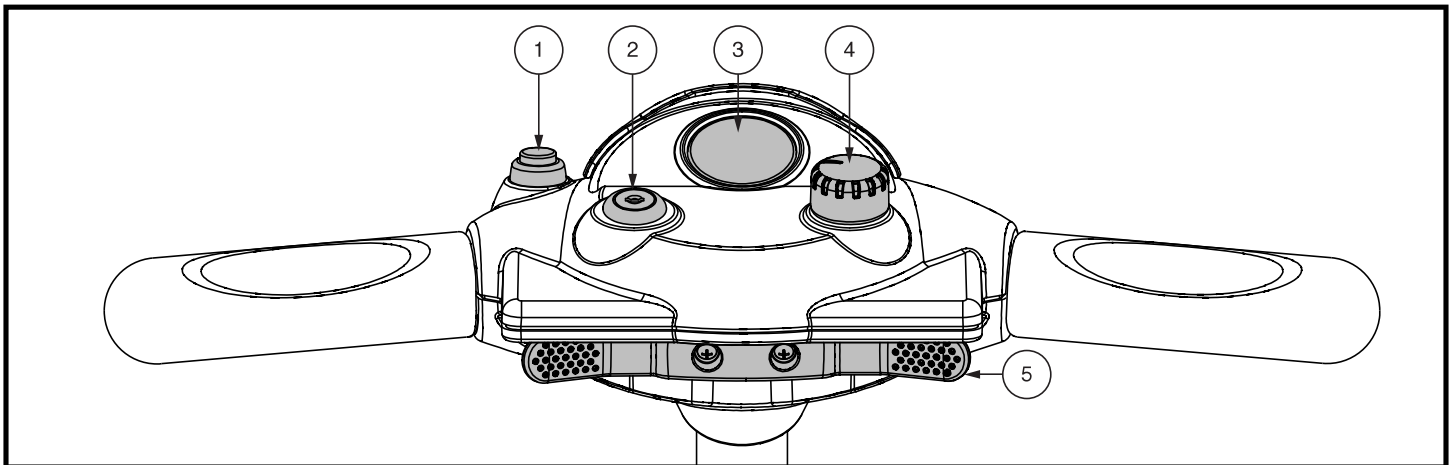


Figura 1. Consola del manillar A (Modelos 29, 36, 336, 40X, 44X)

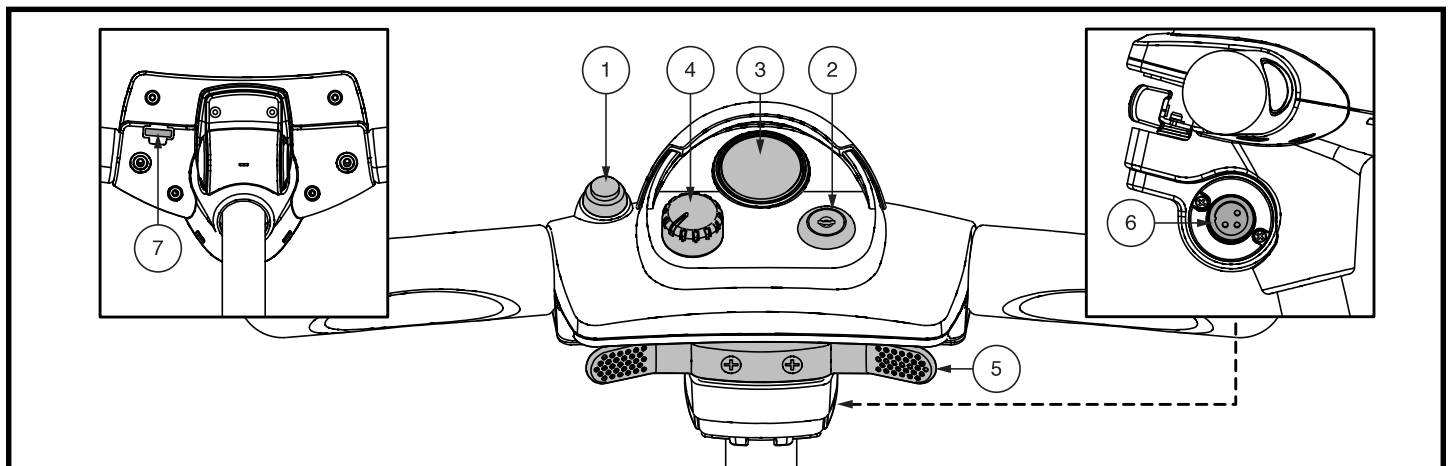


Figura 2. Consola del manillar B (Modelos 39, 40, 49, 83, 84)

## II. SU TRAVEL SCOOTER

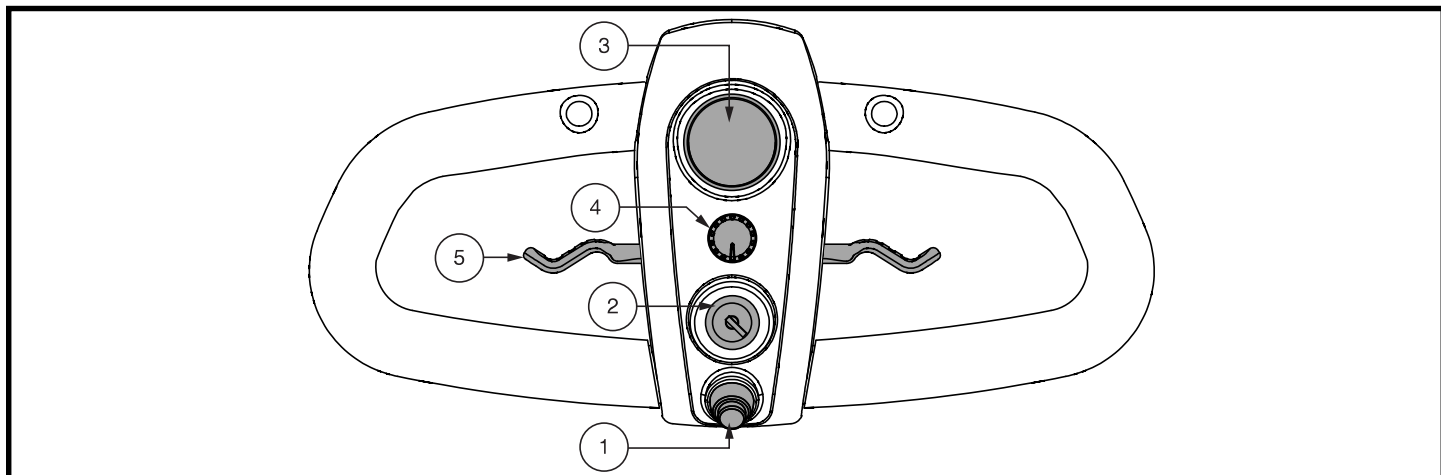


Figura 3. Consola del manillar C (Modelos 53HD, 54HD)

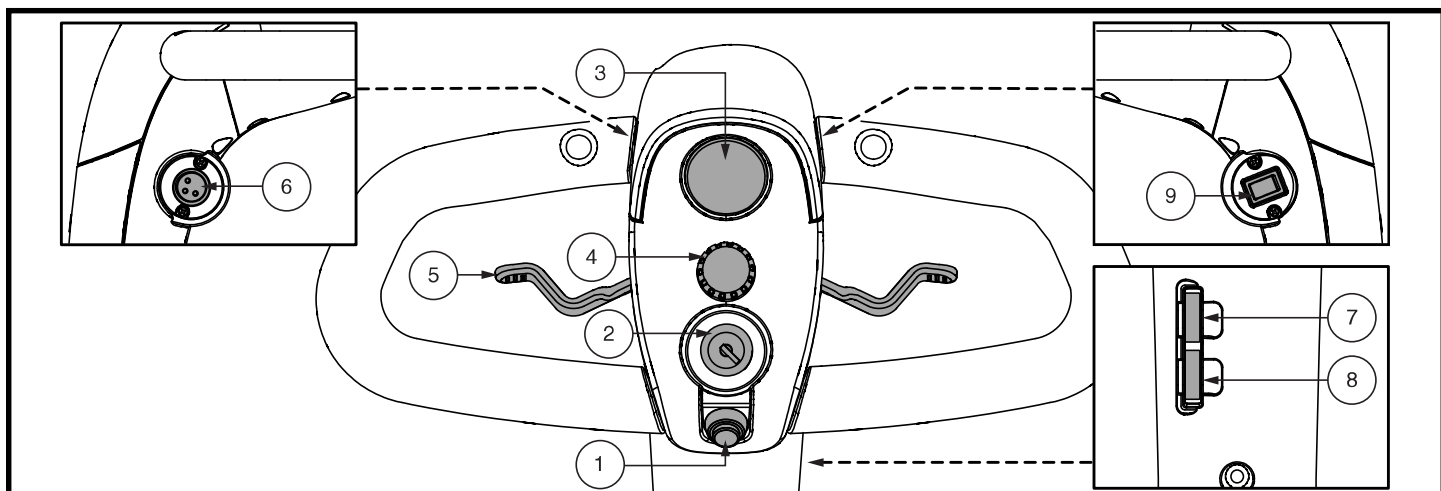


Figura 4. Consola del manillar D (Modelos 40LX, 44LX, 50LX, 50LXLIT, 53, 54, 54LX, 54LXLIT, 73, 74)

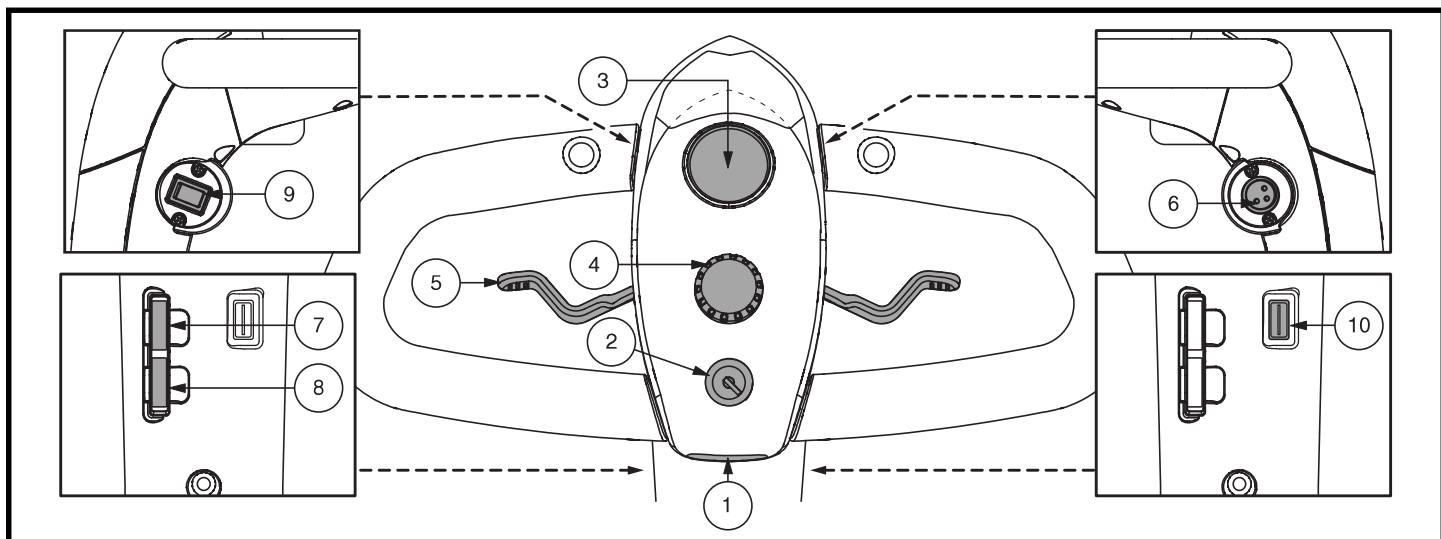


Figura 5. Consola del manillar E (Modelo Jazzy ZTS)



## II. SU TRAVEL SCOOTER

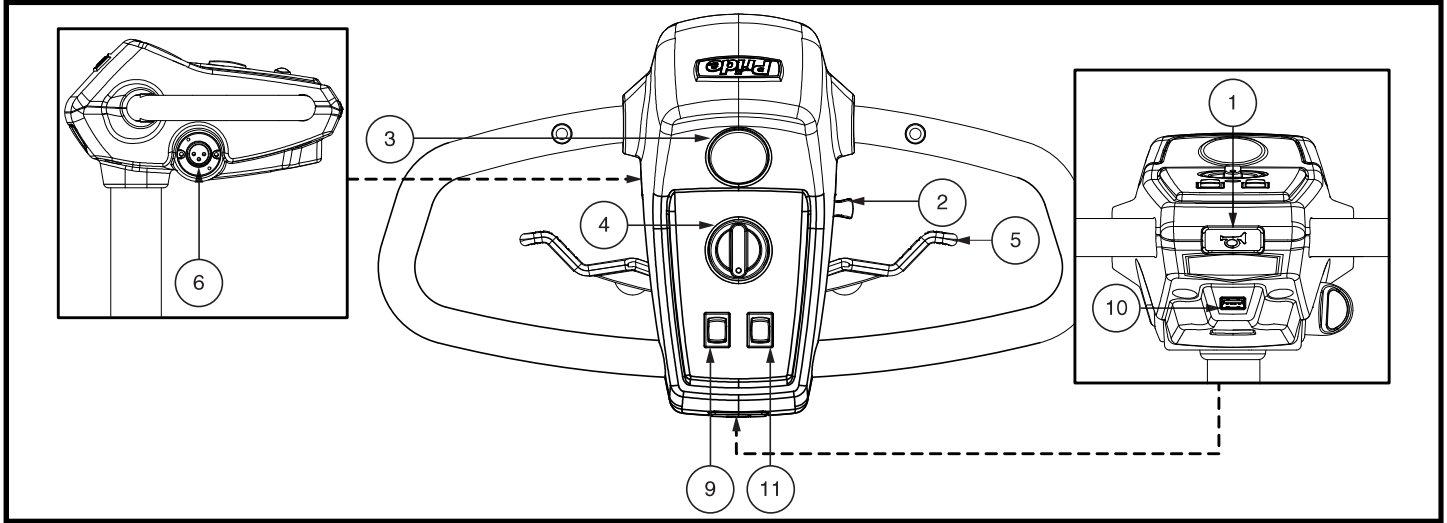


Figura 6. Consola del manillar F (Modelos 66, 67)

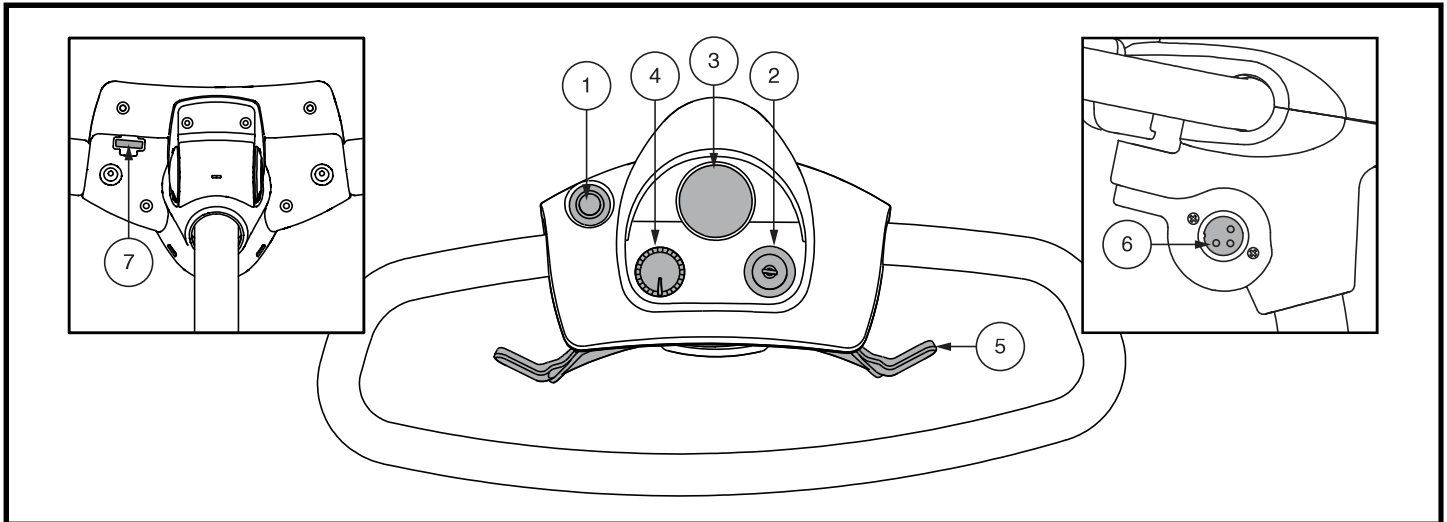


Figura 7. Consola del manillar G (Modelos AAP4, 40E, 44, 44E)

### Claxon

Activa el claxon de advertencia. El claxon sólo funcionará con el Travel Scooter encendido. No dude en utilizar el claxon como señal de advertencia ante cualquier riesgo de accidente o lesión.

### Cerradura de Contacto

- Introduzca la llave en la cerradura de contacto y gírela en sentido horario para encender el Travel Scooter.
- Gírela en sentido contrario a las agujas del reloj para apagar el Travel Scooter.



**¡ADVERTENCIA! Al enfrentar una situación de emergencia, apague el interruptor para apagar el scooter. Tenga cuidado. Debe saber que apagar el scooter puede provocar que el scooter se detenga abruptamente. Para liberar la emergencia, pare y restablezca la función de conducción del scooter, libere la palanca de control del acelerador y luego encienda el interruptor del scooter.**

Aunque puede dejar la llave en la cerradura de contacto con el Travel Scooter apagado, le recomendamos quitarla para evitar cualquier uso no autorizado de su Travel Scooter.



**¡ADVERTENCIA! Si mueve la llave a la posición "off" con el Travel Scooter en movimiento, activará los frenos electrónicos y el Travel Scooter se detendrá bruscamente.**

## II. SU TRAVEL SCOOTER

### Indicador del Nivel de Batería

Cuando la llave está introducida totalmente en la cerradura de contacto y girada en sentido de las agujas del reloj para encender el scooter, este indicador muestra el nivel aproximado de las baterías. Para obtener más información sobre el indicador de batería, consulte III, “Baterías y su carga”.

### Regulador de Velocidad

Esta ruedecilla permite preseleccionar y limitar la velocidad máxima del Travel Scooter.

- La imagen de la tortuga representa el valor de velocidad mínimo.
- La imagen de la liebre representa el valor de velocidad máximo.

### Palanca Aceleradora

Con esta palanca podrá controlar la velocidad marcha adelante y atrás del scooter, dentro de los límites fijados por usted con el regulador de velocidad.

*NOTA: Las instrucciones de operación de la palanca de control del acelerador que se describen a continuación se aplican a los scooters en una configuración estándar. Si la programación de su scooter fue modificada de alguna manera por un proveedor, comuníquese con ese proveedor para obtener las instrucciones correctas de operación del nivel de control del acelerador.*

*Para utilizar la palanca de control del acelerador para los modelos equipados con Consola del manillar A y B:*

- Para moverse **hacia delante**, presione con el pulgar derecho la palanca aceleradora derecha.
- Para moverse **marcha atrás**, presione con el pulgar izquierdo la palanca aceleradora izquierda.

*Para utilizar la palanca de control del acelerador para los modelos equipados con Consola del manillar C, D, E, F, y G:*

**Para moverse hacia delante tiene dos opciones:**

- Presione con el pulgar izquierdo la palanca aceleradora izquierda.
- Tire con los dedos de la mano derecha de la palanca aceleradora derecha.

**Para moverse marcha atrás tiene dos opciones:**

- Presione con el pulgar derecho la palanca aceleradora derecha.
- Tire con los dedos de la mano izquierda de la palanca aceleradora izquierda.

Suelte la palanca aceleradora hasta que el scooter se detenga completamente antes de activar el otro lado de la palanca. Al soltar la palanca aceleradora, ésta vuelve automáticamente a la posición central de “stop”, activando los frenos del scooter.

## II. SU TRAVEL SCOOTER

### Interruptor máx-mín

Sirve para ajustar la velocidad máxima (HI) y mínima (LOW) del scooter. Mueva el interruptor hacia adelante (Alta) para lograr la máxima velocidad preprogramada para el scooter. Mueva el interruptor hacia atrás (Baja) para alcanzar la mitad de la velocidad máxima preprogramada del scooter.

### Interruptor de iluminación (en modelos equipados)

Este interruptor controla el sistema de luces del Travel Scooter. Para todos los modelos, *excepto 66 y 67*, vea las figuras 4 y 5.

- Deslice el interruptor hacia delante para encender las luces.
- Deslice el interruptor hacia atrás para apagar las luces.

### Para modelos 66 y 67 (fig. 6):

- Mueva el interruptor hacia atrás para activar la luz de charco.
- Cambiar cambie hacia adelante para activar la faros delanteros.
- Devuelva el interruptor a la posición central para desactivar las luces.



**¡ADVERTENCIA! Encienda las luces de su scooter cuando la visibilidad sea insuficiente (sea de día o de noche).**

### SECCIÓN POSTERIOR

La palanca del modo manual, las ruedas antivuelco y el conjunto motor/transeje están situados en de su Travel Scooter tal y como aparece en la figura. Para todos los modelos, *excepto Jazzy ZTS* (fig. 8).



**ADVERTENCIA! Antes de activar o desactivar el modo manual de su Travel Scooter, quite la llave de la cerradura de contacto. No se siente nunca en un Travel Scooter que esté en modo manual. No utilice nunca el modo manual en pendientes.**

### Conjunto de motor y transeje

El conjunto de motor y transeje constituye una unidad electromecánica que convierte la energía eléctrica de las baterías del Travel Scooter en energía mecánica controlada que impulsa las ruedas del Travel Scooter.

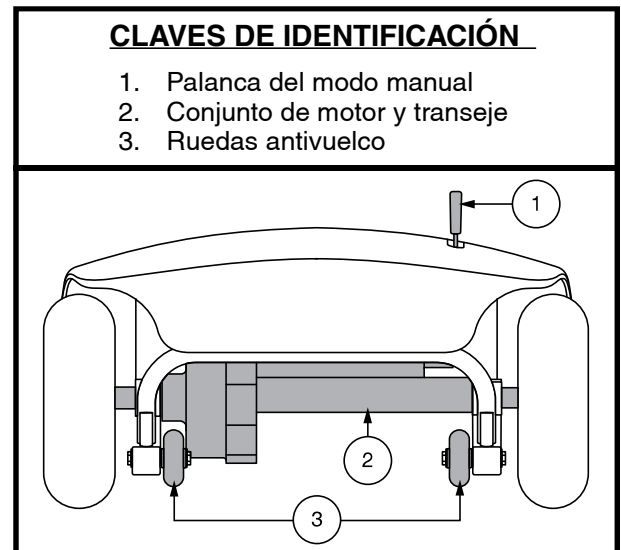


Figura 8. Sección Posterior

### Palanca del Modo Manual - Modelos AAP4, 29, 36, 336, 39, 40, 44, 40X, 44X, 40E, 44E, 40LX, 44LX, 49, 50LX, 50LXLIT, 53, 53HD, 54, 54HD, 54LX, 54LXLIT, 66, 67, 73, 74, 83, and 84

Utilice el modo manual cuando necesite o quiera empujar su Travel Scooter a lo largo de distancias cortas.

1. Localice la palanca del modo manual en la parte superior dcha. de la sección posterior.
2. Presione la palanca hacia delante para deshabilitar el sistema de conducción y frenado. Ya puede empujar su Travel Scooter.
3. Tire hacia atrás de la palanca del modo manual para volver a habilitar el sistema de conducción y frenado; desactivará así el modo manual del Travel Scooter.
- 4.

**¡ADVERTENCIA! Cuando el Travel Scooter está en modo manual, el sistema de frenado permanece inactivo.**



- **Desactive los motores sólo en superficies llanas.**
- **Asegúrese de sacar la llave de la cerradura de contacto.**
- **Sitúese detrás o a un lado del Travel Scooter para activar y desactivar el modo manual. Nunca lo haga sentado en el Travel Scooter.**
- **Cuando haya terminado de empujar el Travel Scooter, vuelva siempre al modo conducción para bloquear los frenos.**

## II. SU TRAVEL SCOOTER

### Palancas duales de modo manual - Jazzy ZTS

Para su comodidad, su Travel Scooter está equipada con dos palancas para avanzar en modo manual. Estas palancas están ubicadas sobre cada motor y le permiten desactivar los motores de conducción para manejar la Travel Scooter (fig. 9).



**¡ADVERTENCIA! ¡No utilice la Travel Scooter con los motores desactivados! No utilice el modo manual en las pendientes, ya que la Travel Scooter podría rodar descontroladamente. Utilice el modo manual únicamente sobre superficies planas.**

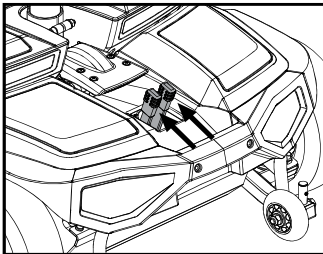
**¡ADVERTENCIA! Es muy importante recordar que cuando la Travel Scooter se encuentra en modo manual, el sistema de frenos está desactivado.**

*NOTA: Las baterías no podrán cargarse en modo manual a menos que extraiga la caja de la Travel Scooter.*

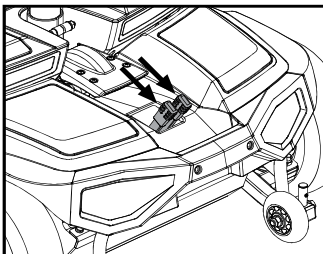
*NOTA: Deberá apagar la Travel Scooter antes de desactivar los sistemas de conducción, de lo contrario el Travel Scooter podría mostrarle un código de error. Para eliminar este código, apague el Travel Scooter y coloque la Travel Scooter en modo conducción. Luego, encienda el Travel Scooter. El mensaje habrá desaparecido. De no ser así, póngase en contacto con su proveedor autorizado.*

#### CLAVES DE IDENTIFICACIÓN

1. Palanca del modo manual
2. Ruedas antivuelco



Modo manual (motor desactivado)



Modo conducción (motor activado)

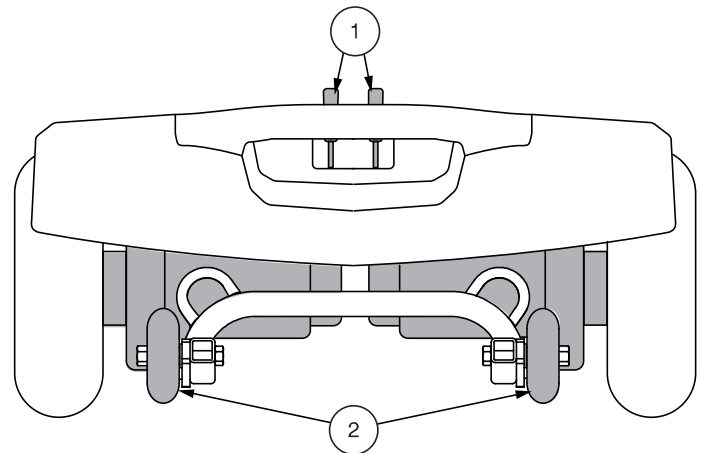


Figura 9. Sección Posterior - Jazzy ZTS

#### Para activar o desactivar los motores:

1. Localice las palancas en la parte posterior de la Travel Scooter (fig. 9).
2. Tira de las dos palancas hacia atrás para activar el sistema de conducción (motor activado).
3. Empuje las dos palancas hacia delante para desactivar el sistema de conducción (motor desactivado).

Si le resulta difícil mover alguna palanca, mueva ligeramente la Travel Scooter hacia atrás o hacia delante. La palanca recuperará así la posición deseada.



**¡ADVERTENCIA! Es muy importante recordar que cuando la Travel Scooter se encuentra en modo manual, el sistema de frenos está desactivado.**

## II. SU TRAVEL SCOOTER

### Ruedas antivuelco

Las ruedas antivuelco son parte integrante de la seguridad de su Travel Scooter. Están atornilladas a la estructura en la parte posterior del Travel Scooter.



**¡PROHIBIDO!** Salvo autorización de su proveedor, no retire las ruedas antivuelco ni modifique de ninguna forma su Travel Scooter.



**¡ADVERTENCIA!** Las ruedas antivuelco podrían entorpecer la fluidez normal del Travel Scooter al subir o bajar una acera. Para obtener más información, consulte con su proveedor autorizado.

### PAQUETE DE BATERIAS

Su Travel Scooter está equipado con un paquete de baterías innovador y fácil de quitar. El asa de la parte superior facilita la extracción del paquete del Travel Scooter con una mano. Dependiendo de la configuración de su Travel Scooter, el paquete de baterías contiene una o dos baterías recargables y puede contener el receptáculo del cable de alimentación del cargador, el disyuntor principal (botón de reinicio) y el fusible del paquete de baterías (**fig. 10 y 11**).

### Botón Disyuntor/Reinicio

Para evitar daños en el motor y el sistema electrónico, el disyuntor principal puede saltar cuando el voltaje de las baterías del Travel Scooter se vuelve insuficiente o el Travel Scooter está demasiado forzado debido a cargas o pendientes excesivas (**fig. 10 y 11**).

- El botón de reinicio salta cuando el disyuntor se activa.
- Así, al activarse el disyuntor, todo el sistema eléctrico del Travel Scooter se apaga.
- Deje “descansar” los componentes electrónicos de su Travel Scooter durante un minuto o dos.
- Apriete el botón de reinicio para restablecer el disyuntor principal.
- Si el disyuntor principal se activa con frecuencia, puede que tenga que cargar las baterías más a menudo. Si el disyuntor principal interrumpe la corriente regularmente, consulte a su proveedor autorizado.

### Tomo de Alimentación del Cargador

El extremo del cable de alimentación del cargador de 3 clavijas se conecta a este receptáculo (**fig. 12 y 13**).

### Fusible de la Consola (En Modelos Equipados)

El fusible situado bajo el paquete de baterías protege el sistema electrónico de la consola (**fig. 10**). En caso de que algún componente de la consola no respondiera, verifique este fusible. En el Capítulo VII, “Resolución de problemas básicos”, encontrará instrucciones sobre el cambio de fusibles.

### Cargador de Batería Externo

Para cargar las baterías del Travel Scooter, conecte el cargador de batería externo a la toma del cable del cargador y a una toma de corriente estándar (**fig. 14**).

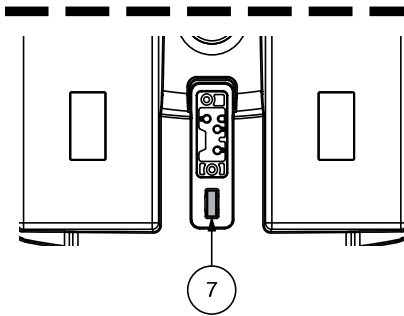
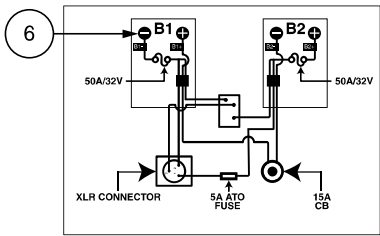
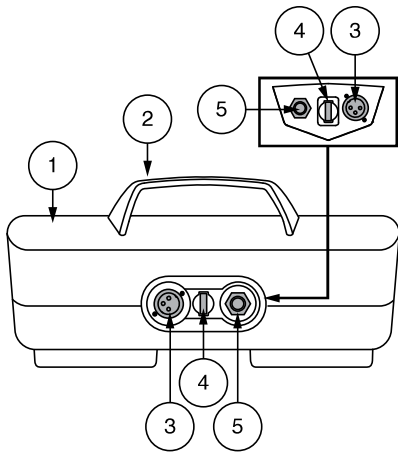
**NOTA:** Consulte las figuras 12 y 13 para determinar el puerto de carga XLR adecuado según la configuración de su scooter.

# II. SU TRAVEL SCOOTER

## CLAVES DE IDENTIFICACIÓN

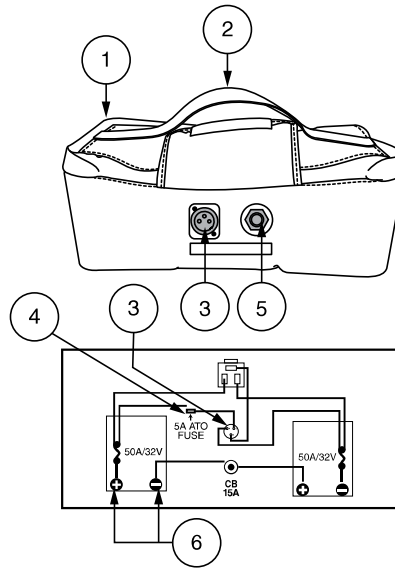
- |                                      |                             |
|--------------------------------------|-----------------------------|
| 1. Paquete de baterías               | 5. Botón disyuntor/reinicio |
| 2. Asa del paquete de baterías       | 6. Bornes de batería        |
| 3. Tomo de alimentación del cargador | 7. Fusible de la consola    |
| 4. Fusible de la paquete de baterías |                             |

### Paquete de Baterías Estilo A

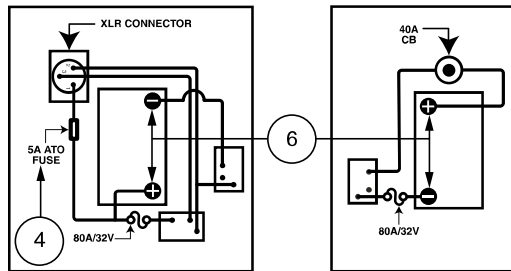
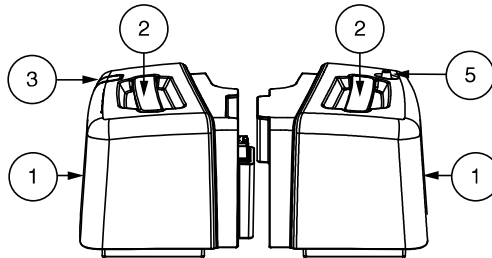


(Piso del Travel Scooter)

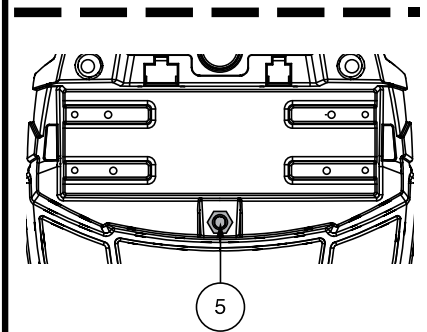
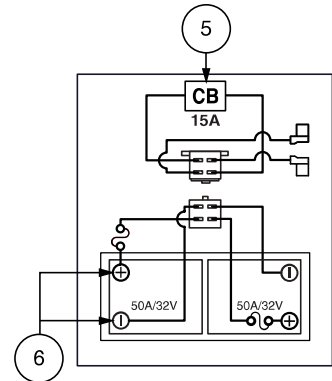
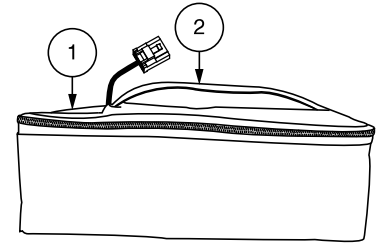
### Paquete de Baterías Estilo B



### Paquete de Baterías Estilo C



### Paquete de Baterías Estilo D



(Piso del Travel Scooter)

Figura 10. Paquete de Baterías

## II. SU TRAVEL SCOOTER

### CLAVES DE IDENTIFICACIÓN

1. Cubierta superior caja de batería
2. Baterías
3. Puerto del cargador
4. Fusible de la paquete de baterías
5. Cubierta inferior de la caja de la batería
6. Interruptor de circuito

### Paquete de Baterías Estilo E

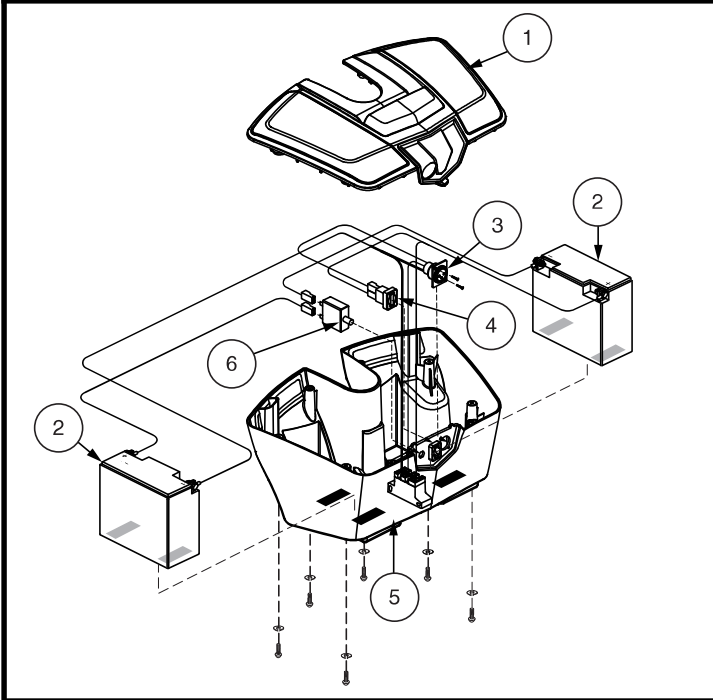


Figura 11. Paquete de Baterías - Jazzy ZTS, 50LX, 50LXLIT, 54LX, 54LXLIT

### CLAVES DE IDENTIFICACIÓN

1. Consola del manillar
2. Tomo de Alimentación del Cargador

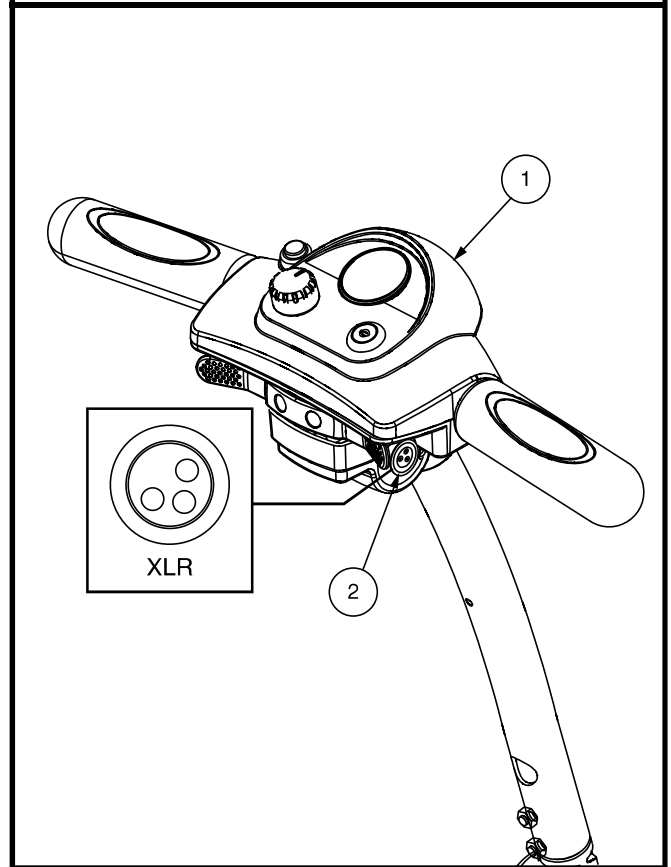


Figura 12. Tomo de Alimentación del Cargador (Ubicada en el manillar)

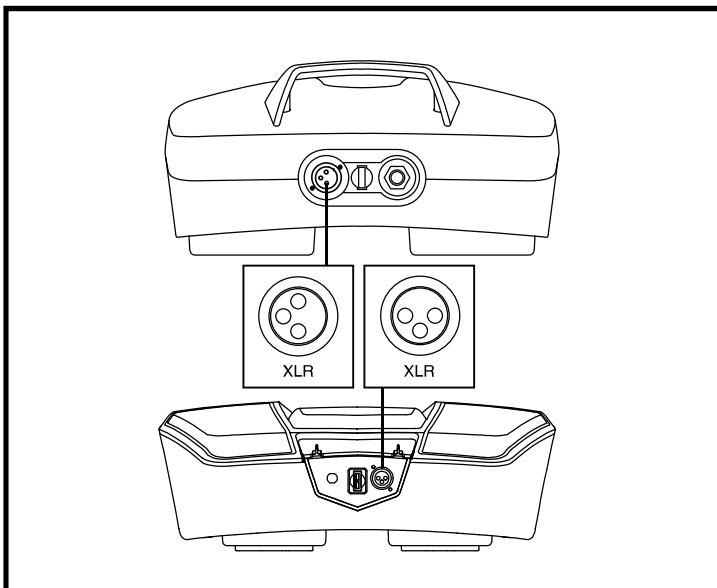


Figura 13. Tomo de Alimentación del Cargador (Paquete de baterías)

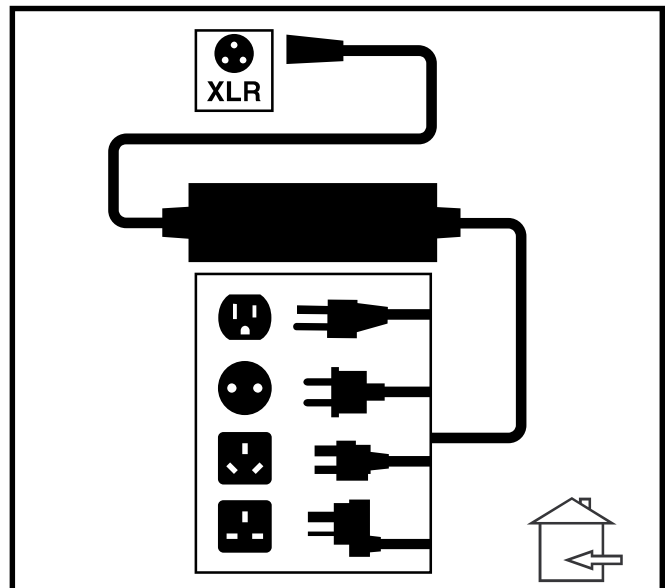


Figura 14. Cargador de Batería Externo

## II. SU TRAVEL SCOOTER

### PUNTOS DE SUJECIÓN

Sujete siempre el Travel Scooter dentro del vehículo mirando hacia delante. Enganche las cuatro correas de sujeción a los puntos de sujeción designados a tal efecto (**fig. 15**). Apriete las correas para evitar cualquier movimiento en el scooter. No sujete nunca las correas a piezas extraíbles o regulables del Travel Scooter como reposabrazos, reposapiés o ruedas. Deberá retirar estos elementos extraíbles. Coloque los puntos de anclaje de las correas posteriores justo por detrás de los puntos de sujeción posteriores del Travel Scooter. Las correas frontales deben amarrarse a los puntos de anclaje del suelo, que tienen una anchura ligeramente superior a la del scooter para incrementar así la estabilidad lateral de éste.



**¡ADVERTENCIA!** Antes de transportar el scooter dentro de un vehículo a motor, asegúrese de que el primero está sujeto correctamente. Los scooters incorrectamente sujetos pueden ser un peligro para el usuario y para los restantes pasajeros del vehículo en caso de accidente de tráfico o detención o giro repentinos, ya que el scooter podría volcar o moverse.

### CLAVES DE IDENTIFICACIÓN

1. Puntos de sujeción frontales (3-ruedas modelos)
  - 1a. Modelos 83 y 84 sólo
  - 1b. Modelos 29, 36, 336, 39, 40, 40X, 40E, 40LX, 50LX, 50LXLIT, 53, 53HD, y 73
  - 1c. Modelo 66 sólo
2. Puntos de sujeción frontales (4-ruedas modelos)  
Models AAP4, 44, 44X, 44E, 44LX, 49, 54LX, 54LXLIT, 54, 54HD, 67, 74 y Jazzy ZTS
3. Puntos de sujeción posteriores

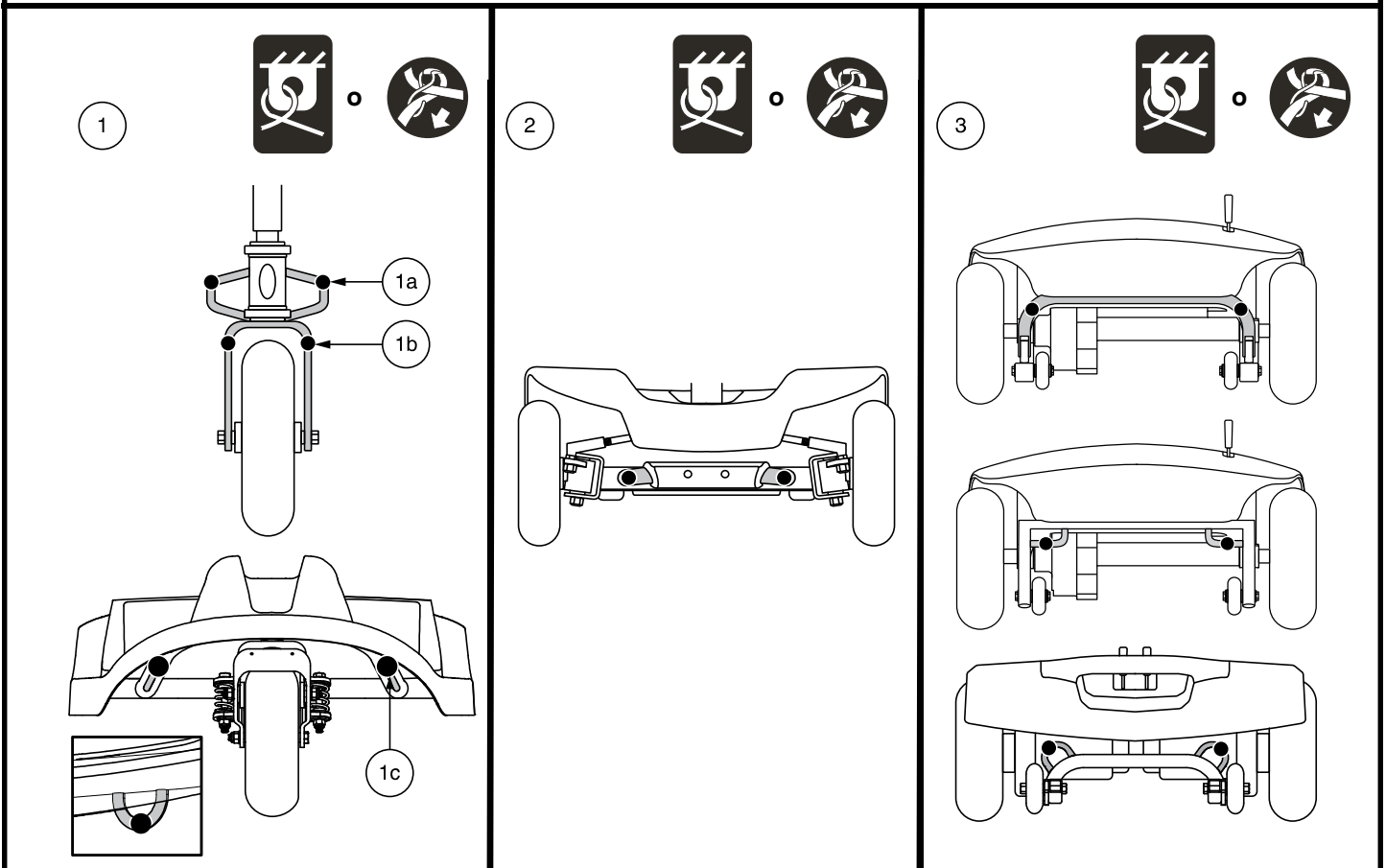


Figura 15. Puntos de sujeción (identificados con puntos negros)



## II. SU TRAVEL SCOOTER

### PANELES DE LA CARROCERÍA

En algunos modelos, puede cambiar el color de su Travel Scooter reemplazando los paneles de plástico pintados de la carrocería por otros de los disponibles. Los paneles se sujetan mediante un sistema que funciona mediante presiones. Ver Cuadro de características generales (página 82).

#### Para quitar los paneles:

1. Localice con el dedo un pequeño orificio detrás de cada pieza.
2. Presione a través del orificio para separar la pieza del Travel Scooter (fig. 16).

#### Para quitar la visera de la consola:

1. Tire suavemente de la parte superior de la visera y extraígalas con cuidado de la consola del manillar (fig. 17).

Para volver a instalar las piezas de la carrocería, coloque cada una en su lugar y empuje ligeramente hasta que queden bien sujetas.

**NOTA:** Al colocar los paneles parachoques delantero y trasero, asegúrese de insertar la pestaña, en la parte inferior de cada panel, en su orificio antes de presionar y sujetar el panel (fig. 16).

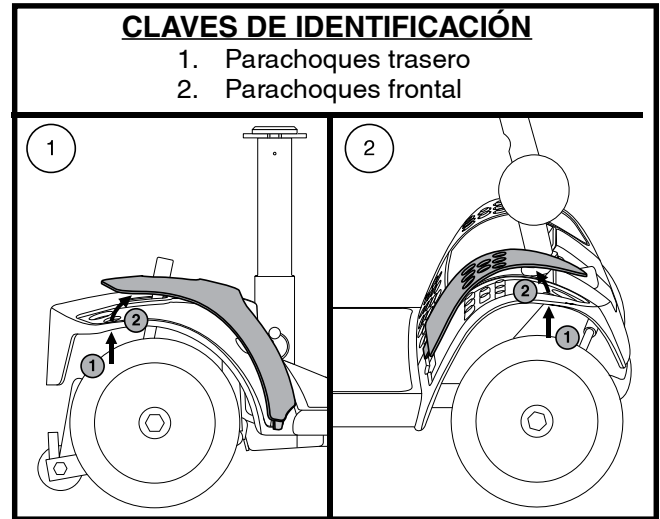


Figura 16. Parachoques

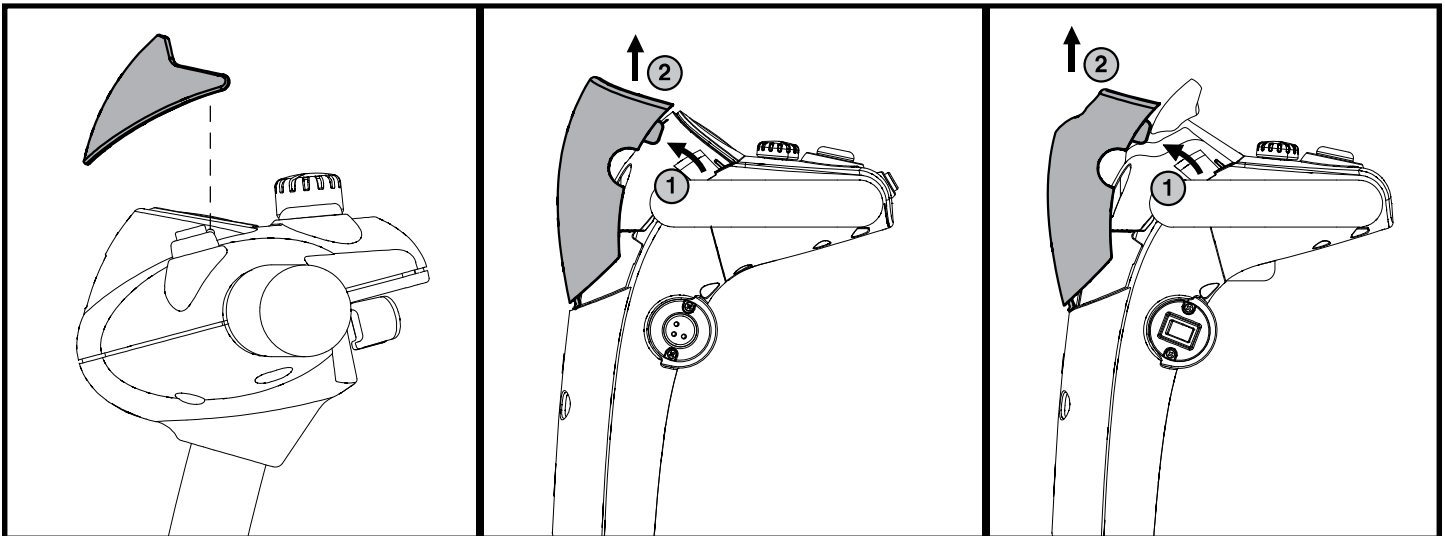


Figura 17. Visor de la consola

# III. BATERÍAS Y SU CARGA

## BATERÍAS Y SU CARGA

El Travel Scooter utiliza dos baterías de ciclo profundo y larga duración de 12 voltios, selladas y libres de mantenimiento. Se recargan mediante el cargador externo suministrado.

- Cargue las baterías de su Travel Scooter de por lo menos 8 a 14 horas antes de usarlas por primera vez.
- Para que el Travel Scooter funcione perfectamente, mantenga las baterías totalmente cargadas.

## LECTURA DEL VOLTAJE DE LAS BATERÍAS

El indicador de batería de la consola muestra la potencia aproximada de las baterías mediante un código de color. De derecha a izquierda, el verde indica que las baterías están completamente cargadas, el amarillo un vaciado parcial y el rojo advierte sobre la necesidad de recargarlas (fig. 18). Para obtener la mayor precisión, compruebe el indicador de baterías conduciendo el Travel Scooter a velocidad máxima, sobre una superficie plana y seca.

**NOTA:** El Medidor Ambiental (Medidor de Condición de la Batería 1c) ajusta el brillo según el entorno.

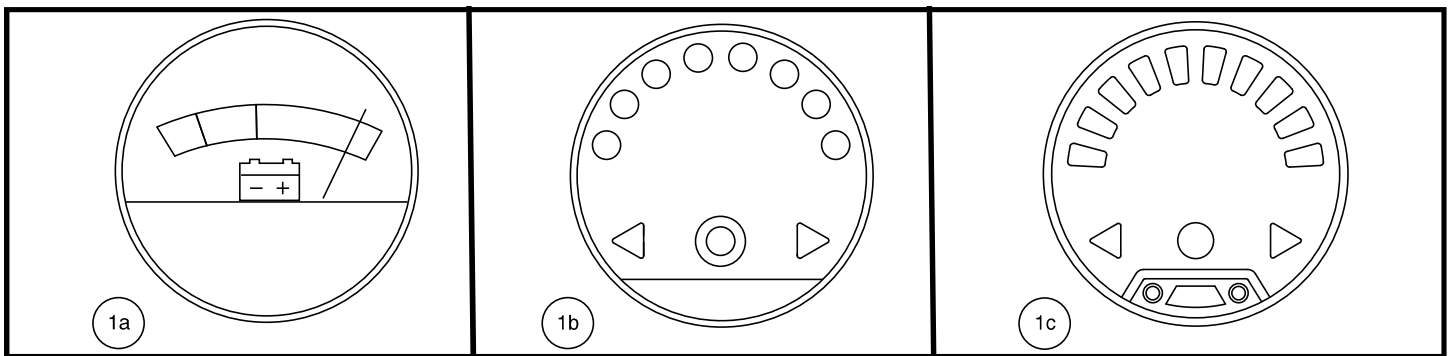


Figura 18. Indicador de Batería

## CARGADO DE BATERÍAS

**NOTA:** En algunos modelos, el paquete de baterías puede cargarse dentro o fuera del Travel Scooter. Ver Cuadro de características generales.

**NOTA:** Con modelos 66 y 67, ambas cajas de batería se pueden quitar de la scooter y luego se unieron para una carga fácil. Ver la Figura 19.



**¡PROHIBIDO!** No quite el contacto de tierra del enchufe para evitar cualquier riesgo eléctrico. Si su toma de corriente tiene únicamente 2 orificios, instale un adaptador de 3 contactos adecuado.



**¡PROHIBIDO!** No conecte cables de prolongación al cable del cargador de batería, ya que podría provocar un riesgo eléctrico.



**¡PROHIBIDO!** Mientras las baterías se cargan, no deje que los niños jueguen cerca del Travel Scooter sin supervisión. Le recomendamos no cargar las baterías mientras la Travel Scooter esté ocupada.



**¡OBLIGATORIO!** Antes de cargar las baterías, lea las instrucciones de carga en este manual y en el manual suministrado con el cargador de batería.



**¡ADVERTENCIA!** Durante el cargado de baterías se pueden generar gases explosivos. Mantenga su Travel Scooter y el cargador alejados de fuentes ignífugas como llamas o chispas, y proporcione una ventilación adecuada durante el cargado de baterías.

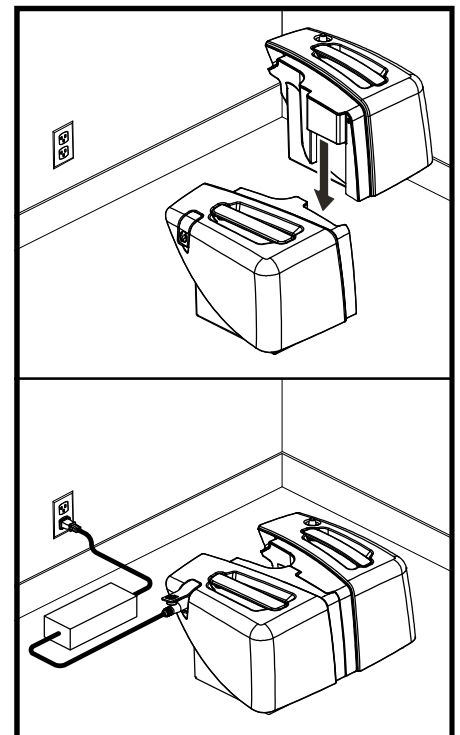


Figura 19. Carga de la batería de la batería (Modelos 66 y 67)

# III. BATERÍAS Y SU CARGA

**¡ADVERTENCIA!** Utilice el cargador externo suministrado para recargar las baterías de su Travel Scooter. No utilice los cargadores utilizados en los automóviles.

**¡ADVERTENCIA!** Antes de cada uso, compruebe el estado de cargador, cables y conectores. Contacte con su proveedor autorizado si encontrara algún daño.



**¡ADVERTENCIA!** No intente abrir la carcasa del cargador de batería. Si el cargador no funcionara correctamente, contacte con su proveedor autorizado.

**¡ADVERTENCIA!** Si el cargador de batería externo viene equipado con ranuras de ventilación, no obstruya el paso de dichas ranuras.

**¡ADVERTENCIA!** Tenga en cuenta que la carcasa del cargador puede acabar recalentándose durante el cargado. Evite todo contacto con la piel y no deje el cargador sobre superficies a las que pueda afectar el calor.



**¡ADVERTENCIA!** Salvo que su cargador haya sido probado y aprobado para exteriores, no lo exponga a condiciones ambientales extremas o adversas. Si hubiera sido expuesto a condiciones ambientales extremas o adversas, deberá dejarlo adaptarse a las nuevas condiciones en interiores antes de volver a utilizarlo. Para más información, consulte el manual suministrado con su cargador de batería.

*Para cargar las baterías de forma segura con el cargador externo:*

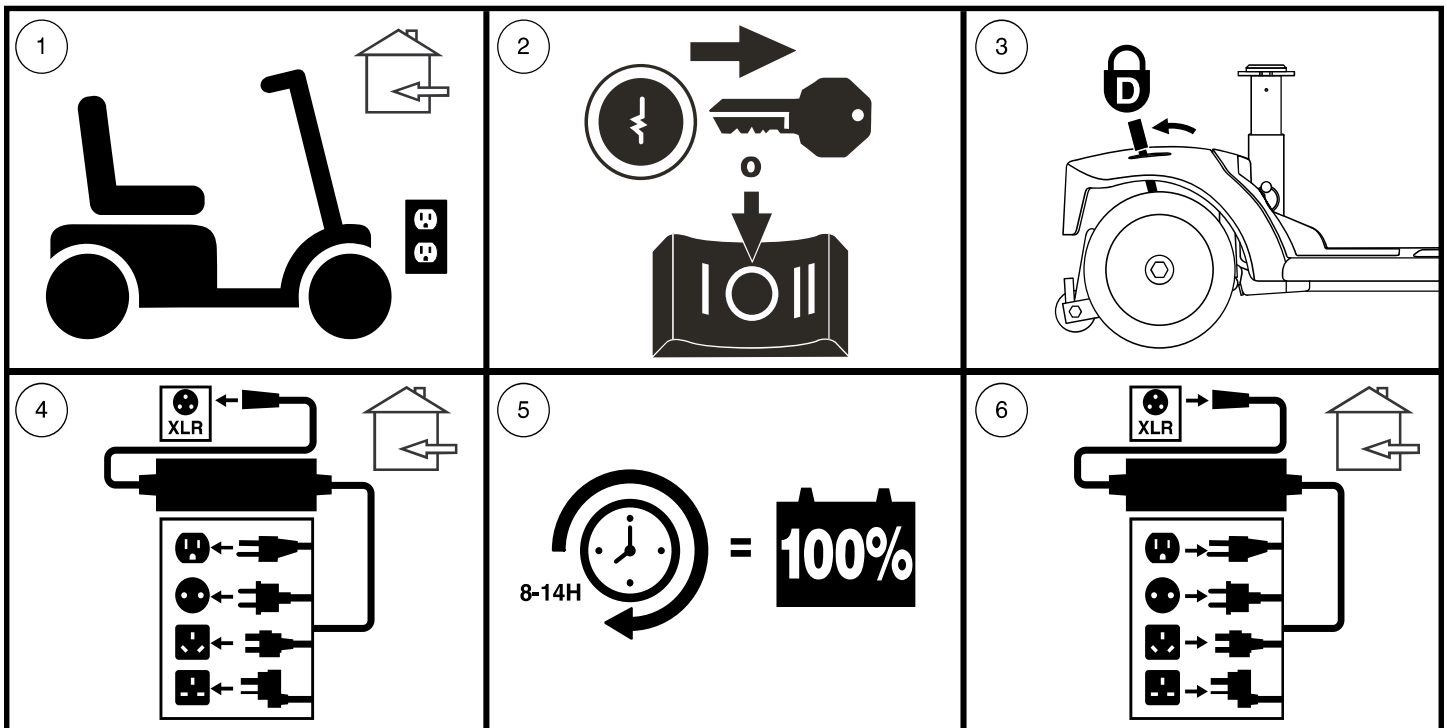


Figura 20. Diagrama del procedimiento de carga de las baterías



**¡ADVERTENCIA!** Los indicadores LED en el cargador indican los diferentes estados de carga en cada momento. Si al cabo de 24 horas, el LED sigue sin indicar una carga completa, desenchufe el cargador de la toma de corriente y póngase en contacto con su proveedor. Para saber más sobre estos indicadores, consulte la etiqueta del cargador.

**NOTA:** El Travel Scooter dispone de un bloqueador del cargador. Ni el Travel Scooter ni el indicador de batería funcionarán mientras se estén cargando las baterías.

# III. BATERÍAS Y SU CARGA

## PREGUNTAS MÁS FRECUENTES (P+F)

### ¿Cómo funciona el cargador?

Cuando el nivel de voltaje de las baterías es bajo, el cargador trabaja más duro, enviando más corriente eléctrica a las baterías para llenarlas. Cuando están casi totalmente cargadas, el cargador envía cada vez menos corriente eléctrica. Una vez cargadas completamente, la corriente enviada por el cargador baja hasta un amperaje cercano al cero. Por ello, cuando el cargador está enchufado, mantiene el nivel de carga de las baterías de su scooter, pero sin sobrecargarlas. Para las instrucciones sobre el cargado de baterías, consulte el manual suministrado con el cargador.

### ¿Puedo utilizar otro tipo de cargador?

Los cargadores varían en función de los usos, y están específicamente adaptados al tipo, tamaño y formulación química de unas determinadas baterías. Para conseguir un cargado más eficiente y seguro de las baterías de su Travel Scooter, utilice únicamente el cargador suministrado con el equipo original de su producto. Queda prohibido cualquier método de carga en el que se carguen las baterías individualmente.

### ¿Por qué no consigo cargar las baterías de mi Travel Scooter?

- Compruebe que el fusible del paquete de baterías esté en buenas condiciones (**fig. 10 y 11**).
- Compruebe que ambos extremos del cable de alimentación del cargador estén bien conectados.

### ¿Con qué frecuencia debo recargar las baterías?

Para determinar con qué frecuencia debe cargar las baterías, tenga en cuenta estos dos factores principales:

- Utilización intensiva a diario.
- Uso infrecuente o esporádico.

Teniendo en cuenta esto, podrá determinar con qué frecuencia y durante cuánto tiempo debe cargar las baterías de su Travel Scooter. El cargador de batería está pensado para no sobrecargar las baterías del Travel Scooter. No obstante, puede tener problemas si no recarga las baterías con la frecuencia requerida o regularmente. Para obtener un cargado y un funcionamiento seguros y fiables, observe las siguientes consignas.

- Si utiliza el Travel Scooter a diario, recargue las baterías al finalizar el día. Así, estará listo a la mañana siguiente. Si lo utiliza diariamente, le recomendamos que deje cargando las baterías de por lo menos 8 a 14 horas cada día. Recomendamos dejar cargando las baterías durante 4 horas más después de que el indicador muestre que la carga ha sido completada.
- Si lo utiliza una vez a la semana o menos, cárguelas al menos una vez a la semana durante por lo menos 24 horas.

**NOTA:** Mantenga siempre las baterías cargadas y no deje que se descarguen completamente. Para las instrucciones sobre el cargado de baterías, consulte el manual suministrado con el cargador. Para mejorar el rendimiento y la vida de sus baterías, nosotros recomendamos cargar las baterías durante al menos 48 horas seguidas una vez al mes.

### ¿Cómo puedo lograr la máxima vida para mis baterías?

Una batería de ciclo profundo completamente cargada es una garantía de larga vida y alto rendimiento. Siempre que sea posible, mantenga las baterías de su Travel Scooter completamente cargadas. Proteja su Travel Scooter y las baterías del calor y el frío extremos. Las baterías que se dejan descargar con frecuencia, no se cargan con regularidad, se guardan bajo temperaturas extremas o antes de haberlas recargado completamente pueden dañarse de forma permanente, afectando al funcionamiento del producto y limitando la vida de las mismas.

**NOTA:** Para prolongar la autonomía de las baterías, apague el scooter y extraiga la llave de contacto siempre que no lo esté utilizando.

### ¿Cómo puedo obtener el máximo rendimiento por carga?

En general, las situaciones ideales de conducción (terreno liso, plano y firme, sin viento, ni curvas o pendiente) son infrecuentes. En la mayoría de los casos, encontrará pendientes, ranuras en aceras, superficies mal pavimentadas y curvas. Estos factores afectan a la distancia que puede recorrer (la duración de las baterías).

## III. BATERÍAS Y SU CARGA

- Antes de usarlas, cargue completamente las baterías.
- Planee su trayecto para evitar en lo posible pendientes y superficies blandas o irregulares.
- Limite el equipaje a los artículos imprescindibles.
- Intente mantener una velocidad constante cuando el Travel Scooter esté en movimiento.
- Evite avanzar a trompicones.
- Para mejorar el rendimiento y la vida de sus baterías, le recomendamos cargar las baterías durante al menos 48 horas seguidas una vez al mes.
- Compruebe que todos los cables estén conectados correctamente.

### ¿Qué tipo de baterías debo utilizar?

Le recomendamos las baterías de ciclo profundo que vienen selladas y no necesitan mantenimiento. Tanto las baterías AGM como las de gel son baterías de ciclo profundo, y su rendimiento es similar. No utilice baterías líquidas, con tapas extraíbles. Consulte el cuadro de especificaciones para saber el tamaño, ya que las baterías varían en función del fabricante.



**¡ADVERTENCIA! Las baterías están fabricadas con materiales químicos corrosivos. Utilice únicamente baterías de gel o AGM; reducirá así los riesgos de derrame o explosión.**

**NOTA:** Las baterías selladas no requieren mantenimiento. No levante las tapas.

### ¿Por qué mis baterías nuevas no rinden al máximo?

Las baterías de ciclo profundo utilizan una tecnología química distinta de las baterías para coches, las de níquel-cadmio u otros tipos de baterías. Las baterías de ciclo profundo están especialmente diseñadas para proporcionar energía, ir agotando su carga y luego permitir una recarga relativamente rápida.

Nos trabajamos en estrecha colaboración con el fabricante de nuestras baterías para ofrecerle la batería que mejor se adapta a su Travel Scooter. Nuevas baterías llegan continuamente y son reexpedidas una vez que han sido cargadas. Durante el transporte, las baterías son expuestas a temperaturas extremas que pueden influir en su rendimiento inicial. El calor puede disminuir su carga, y el frío ralentizar la energía disponible y alargar el tiempo necesario para volver a cargar la batería (lo mismo que ocurre en el automóvil).

Serán necesarios unos cuantos días para que la temperatura de las baterías del Travel Scooter se estabilice y adapte a la nueva temperatura ambiente. Por otra parte, deberán pasar varios ciclos de carga (vaciado parcial seguido de recarga completa) antes de lograr el equilibrio químico esencial para obtener el máximo rendimiento y duración de una batería de ciclo profundo.

### Siga estos pasos para “rodar” correctamente las nuevas baterías de su Travel Scooter y obtener así la máxima eficacia y duración:

1. Cargue completamente las baterías nuevas antes de utilizarlas por primera vez. Con este ciclo de carga conseguirá que rindan al 88% de su nivel máximo.
2. Maneje su nuevo Travel Scooter por zonas seguras y familiares. Al principio, conduzca despacio y no vaya demasiado lejos de su casa o entornos habituales hasta que no se haya acostumbrado a los controles del Travel Scooter y haya rodado correctamente las baterías.
3. Recargue completamente las baterías. Así, conseguirá que rindan a más del 90% de su nivel máximo.
4. Conduzca de nuevo su Travel Scooter, y vuelva a recargar completamente las baterías.
5. Tras cuatro o cinco ciclos de carga, las baterías podrán recibir una carga del 100% de su nivel máximo de rendimiento y durarán más tiempo.

### Utilización del transporte público?

Las baterías de gel y AGM están diseñadas para su uso en motos y otros vehículos motorizados. Estas baterías son la Administración Federal de Aviación (FAA), aprobado (sólo en los EE.UU.), lo que permite un transporte seguro en aviones, autobuses y trenes, ya que no hay peligro de derrame o fuga. Si va a utilizar el transporte público, por favor póngase en contacto previamente con la compañía para cumplir con sus requisitos específicos.

# III. BATERÍAS Y SU CARGA

¿Cómo se cambian las baterías de mi Travel Scooter?



**¡OBLIGATORIO!** Los bornes, terminales de batería y otros accesorios contienen compuestos de plomo. Durante la manipulación, póngase gafas y guantes, y lávese las manos después.



**¡PROHIBIDO!** Use siempre dos baterías que sean idénticas, del mismo tipo, composición química y capacidad nominal (Ah). Consulte el cuadro de especificaciones de este manual y del manual suministrado con el cargador para saber el tipo de batería recomendado y su capacidad nominal.

**¡ADVERTENCIA!** No mezcle baterías viejas y nuevas. Cambie siempre ambas baterías al mismo tiempo.



**¡ADVERTENCIA!** Si tiene alguna duda acerca de las baterías de su Travel Scooter, no dude en contactar con su proveedor autorizado.

**¡ADVERTENCIA!** No manipule las baterías con el asiento ocupado.

**¡ADVERTENCIA!** Las baterías de su Travel Scooter únicamente podrán ser mantenidas o reemplazadas por un proveedor autorizado o un técnico cualificado.



**¡PROHIBIDO!** Evite el contacto de herramientas y otros objetos metálicos con los terminales de batería. El contacto con herramientas puede producir descargas eléctricas.

Para cambiar las baterías, necesitará las siguientes herramientas:

- llaves de tubo con trinquete estándar y métricas
- llave inglesa
- destornillador

**¡ADVERTENCIA!** No levante pesos por encima de sus capacidades físicas. En caso necesario, pida ayuda para montar o desmontar el Travel Scooter.



**¡ADVERTENCIA!** No tire directamente de los cables eléctricos para desconectarlos del Travel Scooter. Sujete siempre por el conector del cable para evitar cualquier daño a la hora de desenganchar los cables.

Para cambiar las baterías Paquete de Baterías Estilo A (fig. 10):

1. Extraiga el paquete de baterías del Travel Scooter.
2. Con cuidado, dé la vuelta al paquete.
3. Quite los tornillos del perímetro del paquete de baterías.
4. Con cuidado, vuelva a dar la vuelta al paquete y retire la tapa.



**¡ADVERTENCIA!** Para evitar confusiones al cambiar las pilas, reemplace las baterías a la vez.

5. Desconecte los cables de batería negro (-) y rojo (+) de los bornes de la primera batería.
6. Extraiga la batería vieja.
7. Coloque las nuevas batería en el paquete.
8. Conecte el cable rojo de batería al borne positivo (+) de los bornes de la primera batería.
9. Conecte el cable negro de batería al borne negativo (-) de los bornes de la primera batería.
10. Repita los pasos 5 a 9 para la otra batería.
11. Coloque de nuevo la tapa del paquete de baterías, verificando que todos los cables queden dentro del paquetey no puedan ser pinzados.
12. Con cuidado, dé la vuelta al paquete.
13. Vuelva a colocar todos los tornillos y apriete.

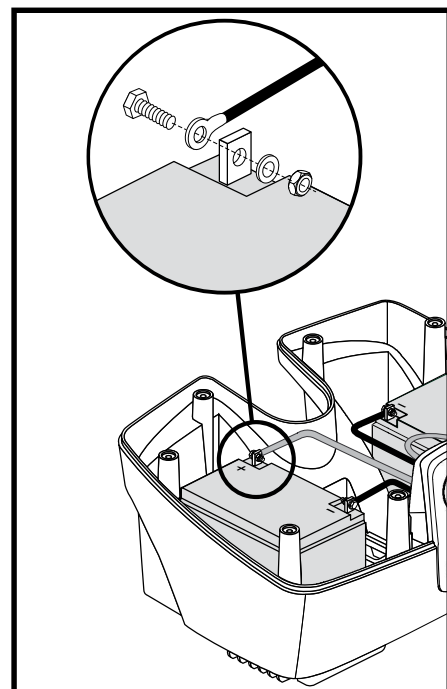


Figura 21. Desconexión del cable de una batería de 17-22 amperios

# III. BATERÍAS Y SU CARGA

**NOTA:** Para desconectar el cable de batería de su borne, deberá quitar el perno y la tuerca correspondientes (fig. 21).

**Para cambiar las baterías Paquete de Baterías Estilo B (fig. 10):**

1. Desconecte el cable de batería y extraiga el paquete de baterías del Travel Scooter (fig. 22).
2. Abra la cremallera del paquete para tener acceso a las baterías.



**¡ADVERTENCIA!** Para evitar confusiones al cambiar las pilas, reemplace las baterías a la vez.

3. Desconecte los cables de batería negro (-) y rojo (+) de los bornes de la primera batería.
4. Extraiga la batería vieja.
5. Coloque las nuevas batería en el paquete.
6. Conecte el cable rojo de batería al borne positivo (+) de los bornes de la primera batería.
7. Conecte el cable negro de batería al borne negativo (-) de los bornes de la primera batería.
8. Repita los pasos 3 a 7 para la otra batería.
9. Cierre totalmente la cremallera del paquete.
10. Vuelva a colocar el paquete de baterías y reconecte los cables correspondientes.

**Para cambiar las baterías Paquete de Baterías Estilo C (fig. 10):**

1. Retire el asiento. Consulte el capítulo VI, "Demontaje e montaje".
2. Quite el paquete de baterías. Siempre quite primero el paquete izquierdo.
3. Retire el tornillo del lado del paquete, luego retire los siete tornillos de la parte inferior del paquete.
4. Coloque el paquete de baterías de tal forma que el asa quede hacia arriba, y retire la tapa.
5. Desconecte los cables de la batería de los terminales de la batería quitando la tuerca y el perno de cada terminal.
6. Retire la batería vieja separándose de velcro.
7. Coloque una batería nueva en la paquete de batería y seguro con velcro.
8. En el paquete de batería derecha, conecte el cable rojo de la batería al terminal positivo (+) de la batería, luego conecte el cable púrpura de la batería al terminal negativo (-) de la batería.
9. En el paquete de batería izquierda, conecte el cable púrpura de la batería al terminal positivo (+) de la batería, luego conecte el cable negro de la batería al terminal negativo (-) de la batería.
10. Vuelva a colocar la tapa de la batería, luego reemplazar los siete tornillos de la parte inferior del paquete.
11. Reinstalar el tornillo del lado del paquete.
12. Vuelva a instalar los paquetes de baterías en el scooter y enganchar los bloques del paquete de baterías. Siempre vuelva a instalar primero la batería del lado derecho (fig. 23).
13. Reinstalar el asiento.

## CLAVES DE IDENTIFICACIÓN

1. Cincha de amarre de las baterías
2. Cable de conexión frontal-posterior
3. Cable de batería

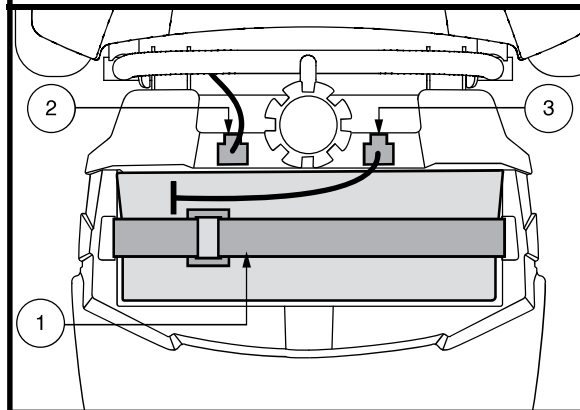


Figura 22. Cincha de amarre de las baterías

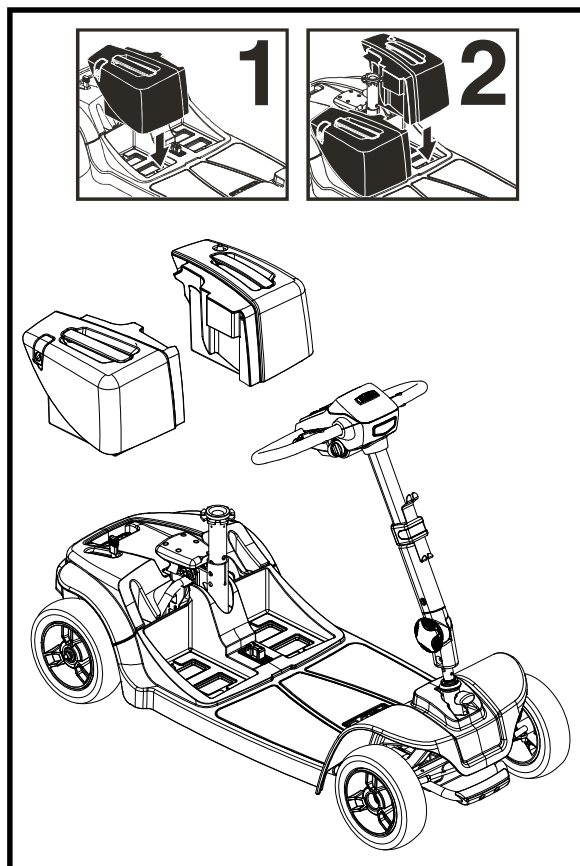


Figura 23. Caja de batería instalación de los modelos 66 y 67

## III. BATERÍAS Y SU CARGA

**NOTA:** Si alguna batería está dañada o agrietada, guárdela inmediatamente en una bolsa plástica y llame a su proveedor autorizado para saber dónde debe tirarla. Su proveedor autorizado dispondrá además de la información necesaria sobre reciclado de baterías, que es lo que nosotros recomendamos.

### Para cambiar las baterías Paquete de Batterías Estilo D (fig. 10):

1. Retire el asiento y la carrocería trasera. Retire el asiento. Consulte e capítulo VI, “Demontaje e montaje”.
2. Desconecte los cables de batería y la cincha de amarre y luego extraiga el paquete de baterías del Travel Scooter (fig. 22).
3. Abra la cremallera del paquete para tener acceso a las baterías.



**¡ADVERTENCIA!** Para evitar confusiones al cambiar las pilas, reemplace las baterías a la vez.

4. Desconecte los cables de batería negro (-) y rojo (+) de los bornes de la primera batería.
5. Extraiga las batería vieja.
6. Coloque las nuevas batería en el paquete.
7. Conecte el cable rojo de batería al borne positivo (+) de los bornes de la primera batería.
8. Conecte el cable negro de batería al borne negativo (-) de los bornes de la primera batería.
9. Repita los pasos 4 a 8 para la otra batería.
10. Cierre totalmente la cremallera del paquete.
11. Vuelva a colocar el paquete de baterías y luego conecte los cables de batería y la cincha de amarre.
12. Coloque de nuevo la carrocería posterior y el asiento.

### Para cambiar las baterías Paquete de Batterías Estilo E (fig. 11):

**NOTA:** Si su Travel Scooter está equipado con una batería de litio, no abra ni intente desmontar la caja de la batería ni intente reemplazar la batería de litio dentro de la caja de la batería. Comuníquese con su proveedor autorizado para obtener una caja de batería de reemplazo completa.

**NOTA:** Si su scooter de viaje está equipado con baterías de litio, consulte el inserto de batería de litio suministrado con su Travel Scooter de viaje y el manual del propietario suministrado con su cargador de batería para obtener instrucciones de carga.

1. Extraiga la caja de baterías de la Travel Scooter.
2. Dé la vuelta al paquete.
3. Saque los tornillos que mantienen unidas las dos mitades (fig. 11).
4. Dé la vuelta a la caja de baterías de forma que el asa quede hacia arriba, y retire la tapa.
5. Quite los cables rojo (+) positivo y negro (-) negativo de cada batería.
6. Desabrochar las correas de gancho y lazo de las dos baterías.
7. Extraiga las baterías.
8. Poner las nuevas baterías de nuevo en la caja de la batería (terminales de la batería hacia arriba y mirando hacia el centro de la Travel Scooter de ruedas eléctrica).
9. Cierre las correas de gancho y bucle alrededor de las dos baterías.
10. Reconecte los dos cables de batería a sus terminales. Asegúrese de que el cable rojo esté conectado al terminal positivo (+) y el cable negro al terminal negativo (-).
11. Coloque de nuevo la tapa y, con cuidado, dé la vuelta a la caja de baterías de forma que el asa quede hacia abajo.
12. Coloque y apriete los tornillos que sujetan la caja de baterías.
13. Vuelva a colocar la caja de baterías en la Travel Scooter.



# IV. FUNCIONAMIENTO

## ANTES DE MONTAR EN EL TRAVEL SCOOTER

- ¿Ha cargado las baterías completamente? Capítulo III, “Baterías y su carga”.
- ¿Está la palanca manual en el modo conducción (hacia atrás)? A menos que quiera empujar manualmente su Travel Scooter, nunca deje la palanca manual hacia delante.
- Compruebe que el pomo regulador del manillar esté desbloqueado. Consulte el capítulo VI, “Desmontaje/montaje”.
- Asegúrese de que la temperatura del aire esté entre -25°C/-13°F to 50°C/122°F.

## AL MONTAR EN EL TRAVEL SCOOTER

1. Asegúrese de sacar la llave de la cerradura de contacto.



**¡ADVERTENCIA! Nunca intente subir o bajar de su Travel Scooter sin antes quitar la llave de la cerradura de contacto. Así, evitará que el Travel Scooter se mueva si accidentalmente acciona la palanca aceleradora.**

2. Colóquese a un lado del Travel Scooter.
3. Afloje la palanca de bloqueo del asiento y gire éste de forma que quede mirando hacia usted.
4. Compruebe que el asiento esté firme y no se mueva.
5. Siéntese con cuidado y póngase cómodo en el asiento.
6. Afloje la palanca de bloqueo del asiento y gire éste hasta quedar mirando al frente.
7. Compruebe que el asiento esté firme y no se mueva.
8. Asegúrese de que sus pies estén apoyados correctamente en el piso del Travel Scooter.

## AJUSTES Y CONTROLES PREVIOS

- ¿Está el asiento a la altura adecuada? Consulte el capítulo V, “Optimizar el confort”.
- ¿Está el asiento bien sujeto en su sitio?
- ¿El manillar está en una posición cómoda y bien sujeto en su sitio? Capítulo V, “Optimizar el confort”.
- ¿La llave está completamente insertada en la cerradura de contacto y girada en sentido horario hacia la posición “on”?
- ¿El claxon de Travel Scooter funciona correctamente?
- ¿El camino por el que va a circular está libre de gente, animales y obstáculos?
- ¿Ha planeado su itinerario para evitar superficies irregulares y todas las pendientes que pueda?

*NOTA: Tenga cuidado al operar su scooter en superficies delicadas ya que pueden producirse rasguños y/o marcas.*

## MANEJO DEL TRAVEL SCOOTER

**¡ADVERTENCIA! Lo siguiente podría afectar negativamente a la dirección y estabilidad mientras conduce su Travel Scooter:**



- **Sujetar o llevar atada una correa para pasear a su mascota.**
- **Llevar pasajeros (incluidas mascotas).**
- **Colgar cualquier artículo del manillar.**
- **Remolcar o ser remolcado por otro vehículo motorizado.**

**¡ADVERTENCIA! Mantenga siempre ambas manos en el manillar y sus pies en el piso del vehículo mientras maneje el Travel Scooter. Esta posición de conducción le garantiza el mayor control sobre su vehículo.**

## IV. FUNCIONAMIENTO

- Seleccione la velocidad máx. deseada con el regulador de velocidad.
- Presione con el pulgar la parte apropiada de la palanca aceleradora.
- El freno de disco electromecánico de estacionamiento se desactiva automáticamente y el Travel Scooter acelera suavemente hasta la velocidad preseleccionada con el regulador de velocidad.
- Tire del puño izquierdo para dirigir el Travel Scooter hacia la izquierda.
- Tire del puño derecho para dirigir el Travel Scooter hacia la derecha.
- Mueva el manillar a la posición central para circular todo recto.
- Para detenerse, suelte suavemente la palanca aceleradora. Los frenos electrónicos se activan automáticamente al detenerse el Travel Scooter.
- Si está equipado con iTurn Technology™, asegúrese de que su scooter de viaje pivote correctamente en las dos direcciones observando la rueda trasera en el lateral del Travel Scooter al que se está dirigiendo.

**NOTA:** Si está equipado con iTurn Technology™, girar rápidamente el timón completamente hacia un lado y luego hacia el otro lado puede provocar que el Travel Scooter no funcione como se esperaba y / o una falla del controlador. Para restablecer el controlador, gire la cultivadora a la posición central, luego gire la llave a la posición de apagado, espere 5 segundos y luego gire la llave a la posición de encendido.

**NOTA:** La velocidad marcha atrás del Travel Scooter es más lenta que la velocidad hacia delante preseleccionada en el regulador de velocidad.

### PARA BAJAR DEL TRAVEL SCOOTER

1. Detenga completamente el Travel Scooter.
2. Saque la llave de la cerradura de contacto.



**¡ADVERTENCIA! Nunca intente subir o bajar de su Travel Scooter sin antes quitar la llave de la cerradura de contacto. Así, evitará que el Travel Scooter se mueva si accidentalmente acciona la palanca aceleradora.**

3. Afloje la palanca de bloqueo del asiento y gire éste hasta quedar mirando hacia un lateral del Travel Scooter.
4. Compruebe que el asiento esté firme y no se mueva.
5. Con cuidado, bájese del asiento y colóquese a un lado del Travel Scooter.
6. Puede dejar el asiento mirando hacia un lateral para que la próxima vez le sea más fácil subirse al Travel Scooter.

### TEMPORIZADOR DE DESCONEXIÓN

Su Travel Scooter está equipado con una función de temporizador de apagado automático diseñada para evitar que su Travel Scooter se mueva si se deja desatendido. Si deja accidentalmente la llave en la posición “on” pero no utiliza su Travel Scooter durante unos 20 minutos, el controlador del scooter se apagará automáticamente. Aunque el controlador esté apagado, el sistema eléctrico del Travel Scooter seguirá funcionando.

Siga los pasos siguientes para retomar el funcionamiento normal tras la activación del temporizador de desconexión.

1. Saque la llave de la cerradura de contacto.
2. Vuelva a introducir la llave y encienda el Travel Scooter.

# V. OPTIMIZAR EL CONFORT

## AJUSTE DEL ÁNGULO DEL MANILLAR (fig. 24)

**¡ADVERTENCIA!** Saque la llave de la cerradura de contacto antes de ajustar el manillar o el asiento. Nunca intente ajustar el manillar o el asiento con el Travel Scooter en movimiento.



**¡ADVERTENCIA!** Antes de operar el scooter, presione y jale el manillar para garantizar que el mecanismo de ajuste del ángulo esté seguro. Inspeccione el pomo de ajuste del manillar y el mecanismo de ajuste del ángulo para garantizar que estén completamente acoplados. Si ha movimiento en el manillar, contrólolo para asegurarse de que el pomo de ajuste del manillar esté completamente ajustado.

*NOTA:* Para poder bajar la caña del manillar al piso del Travel Scooter, deberá quitar en primer lugar el asiento y el paquete de baterías. Para quitar el asiento del Travel Scooter, tire de él hacia arriba en línea recta.

## AJUSTE DE LA POSICIÓN DEL ASIENTO (ROTACIÓN)

La palanca de rotación, ubicada en el lateral derecho de la base del asiento, ajusta el asiento en varias posiciones (fig. 25).

1. Tire hacia arriba de la palanca de bloqueo para desbloquear el asiento.
2. Gire el asiento hasta la posición deseada.
3. Suelte la palanca de bloqueo para que el asiento recupere su sitio.

## ANCHURA DE LOS REPOSABRAZOS

La anchura de los reposabrazos puede reducirse o ampliarse.

1. Afloje los pomos de ajuste de los reposabrazos (fig. 25).
2. Con la anilla, tire y extraiga las arandelas de anclaje.
3. Deslice los brazos hacia el interior o exterior hasta conseguir la anchura deseada.
4. Alinee los orificios de ajuste en la estructura del asiento y los reposabrazos y vuelva a colocar las arandelas de anclaje.
5. Vuelva a apretar los pomos de ajuste.

*NOTA:* Levante los reposabrazos de forma que pueda subir y bajar más fácilmente del Travel Scooter.

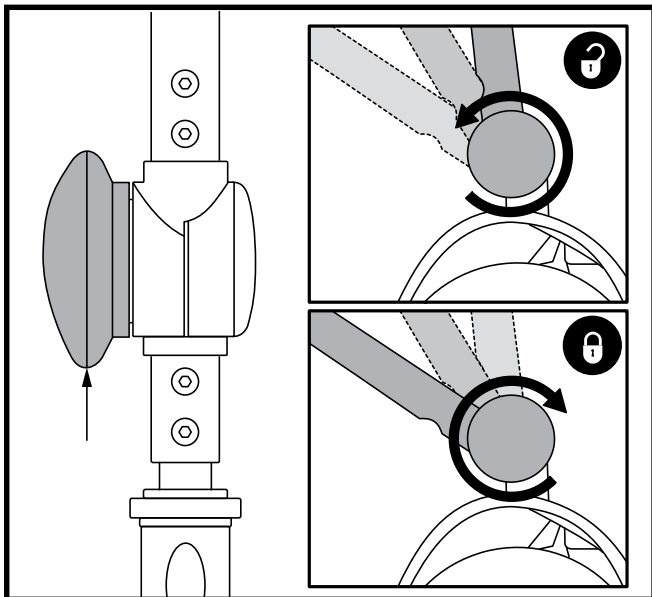


Figura 24. Regulador del manillar

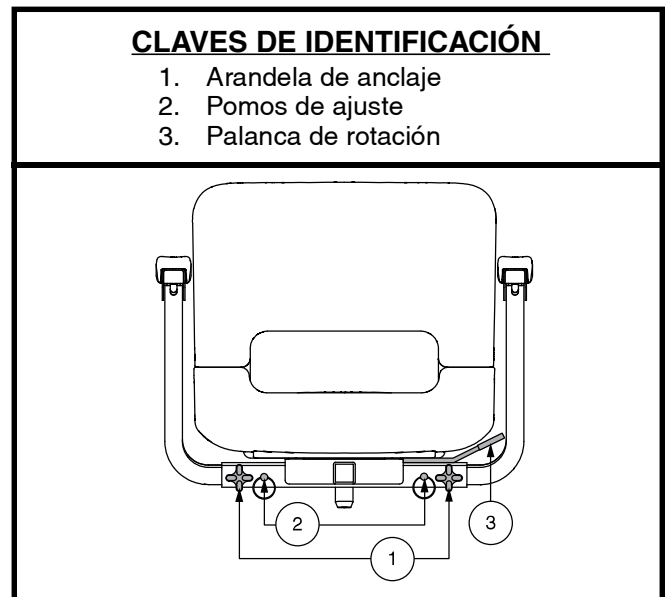


Figura 25 Ajustes en el asiento

## V. OPTIMIZAR EL CONFORT

### AJUSTE DE LA ALTURA DEL ASIENTO

El asiento puede colocarse a diferentes alturas (fig. 26).

1. Extraiga el asiento y el paquete baterías del Travel Scooter.
2. Tire de la anilla para sacar la arandela de anclaje en la parte inferior de la torre del asiento.
3. Suba o baje la parte superior de la torre del asiento hasta lograr la altura deseada.
4. Sujetando la parte superior de la torre a esa altura, haga coincidir los orificios de ajuste en la parte superior e inferior de la torre.
5. Coloque la arandela de anclaje.
6. Coloque de nuevo el paquete de baterías y el asiento.

**NOTA:** Si está equipado, la característica de almacenamiento debajo del asiento debe ser removida para obtener una altura de asiento de 16.5 pulgadas (41.9 cm) o menos. Consulte “Almacenamiento debajo el asiento” para obtener más información.

**NOTA:** Si su Travel Scooter está equipado con espacio de almacenamiento debajo del asiento, la palanca del asiento está en la parte delantera, en el centro del asiento.

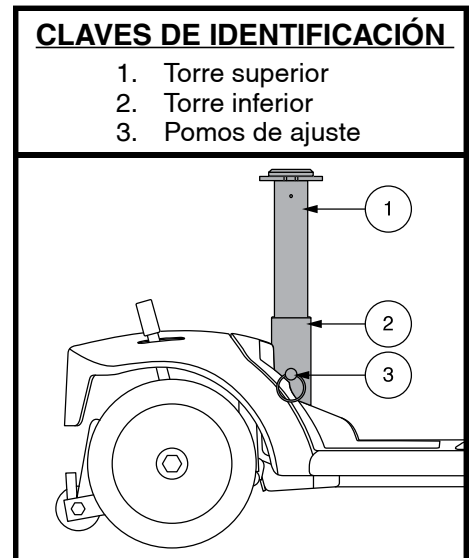


Figura 26. Altura del asiento

# V. OPTIMIZAR EL CONFORT

## AJUSTE DE LA SUSPENSIÓN DEL ASIENTO (EN MODELOS EQUIPADOS)

La torre del asiento funciona como un amortiguador de golpes que se puede ajustar más o menos para mejorar el confort de conducción. Utilice los tornillos de fijación, visibles a través de los orificios de ajuste en el lateral de la torre, para orientarse en la realización de los ajustes. Deslice el manguito de goma hacia la parte superior de la torre para ver los tornillos (fig. 27).

### Para ajustar la torre del asiento:

1. Quite el asiento del Travel Scooter.
2. Extraiga el pasador de la parte inferior de la torre del asiento para levantar y quitar la parte superior de la torre del Travel Scooter (fig. 26).
3. Coloque un casquillo de 13 mm con un alargadero en la parte inferior de la torre (fig. 27).
4. Gire en el sentido de las agujas del reloj para suavizar la conducción o en sentido contrario para hacerla más rígida.
5. Coloque de nuevo la torre y el asiento.

## ALMACENAMIENTO DEBAJO DEL ASIENTO (EN MODELOS EQUIPADOS)

### Para operar el almacenamiento debajo del asiento:

1. Levante levemente el cerrojo en el costado del cubo de almacenamiento debajo del asiento (fig. 28) y gire el cubo de almacenamiento debajo del asiento hacia fuera de la Travel Scooter.
2. Para cerrar el cubo de almacenamiento debajo del asiento, presione el cubo de almacenamiento debajo del asiento hacia el centro de la Travel Scooter hasta que escuche como se engancha el cerrojo.



**¡ADVERTENCIA!** Asegúrese de que ambos cubos de almacenamiento debajo del asiento estén enganchados antes de operar su Travel Scooter de viaje.

### Para remover el cubo de almacenamiento debajo del asiento:

1. Levante levemente el cerrojo al costado del cubo de almacenamiento debajo del asiento (fig. 28) y gire el cubo de almacenamiento debajo del asiento hacia fuera de la Travel Scooter de viaje hasta que esté completamente abierto.
2. Levante el cubo de almacenamiento debajo del asiento hacia arriba y afuera de la Travel Scooter de viaje.

### Para instalar el almacenamiento debajo del asiento:

1. Alinee la ranura en el cubo de almacenamiento debajo del asiento con el soporte de sujeción.
2. Baje el cubo de almacenamiento debajo del asiento hacia el soporte de sujeción y presione el cubo de almacenamiento debajo del asiento hacia el centro de la Travel Scooter de viaje hasta que escuche como se engancha el cerrojo.

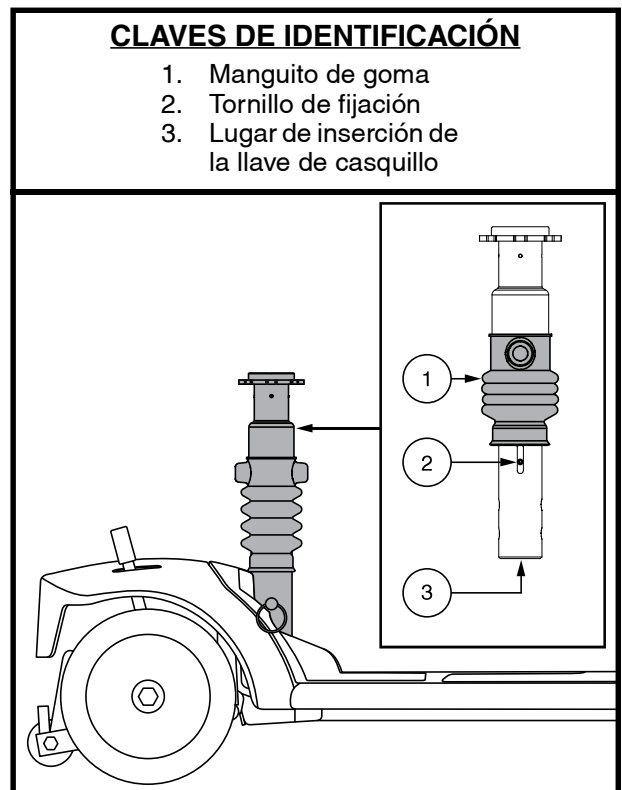


Figura 27. Ajuste de la suspensión del asiento

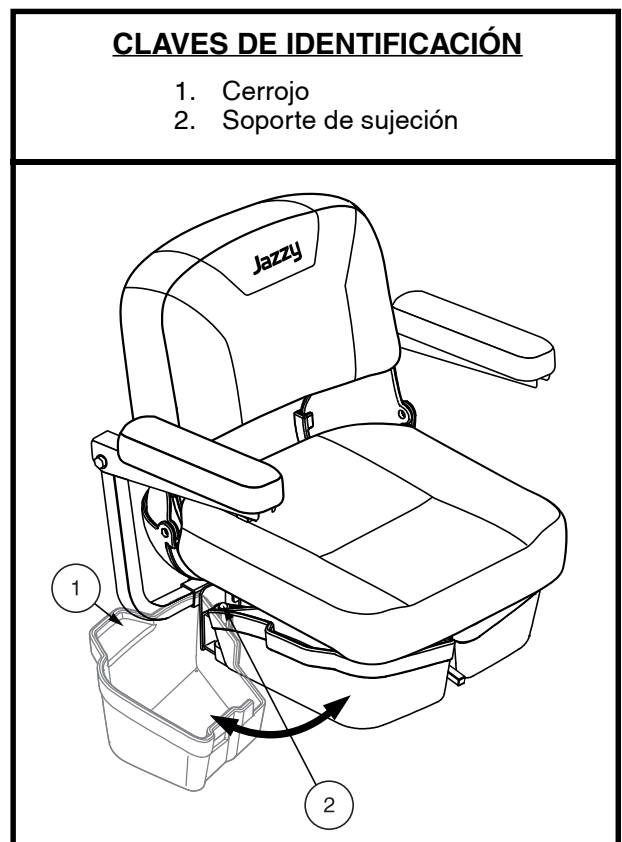


Figure 28. Almacenamiento debajo del asiento

## V. OPTIMIZAR EL CONFORT

### CINTURÓN DE SEGURIDAD (OPCIONAL)

El asiento de su scooter puede estar equipado con un cinturón de seguridad, similar al de los automóviles, que ayuda a mejorar el confort del usuario (fig. 30). La función del cinturón de seguridad es evitar que se deslice hacia delante o abajo en el asiento. El cinturón no está diseñado para limitar los movimientos.



**¡ADVERTENCIA! Deberá llevar abrochado el cinturón de seguridad en todo momento. No deje que el cinturón cuelgue o arrastra por el suelo ya que podría enredarse con las ruedas.**

#### Para instalar el cinturón de seguridad (en caso necesario):

1. Retire el asiento de su Travel Scooter.
2. Dé la vuelta al asiento para ver la parte inferior del mismo (fig. 29).
3. Utilice una llave inglesa para quitar los dos tornillos traseros en la parte más exterior de la estructura del asiento.
4. Introduzca el tornillo a través de las extremidades correspondientes del cinturón de seguridad y luego vuelva a colocar los tornillos en la estructura del asiento.
5. Apriete los tornillos.

#### Para ajustar el cinturón de seguridad y mejorar el confort del usuario:

1. Introduzca la aleta metálica del lado derecho del cinturón en el cuadro de plástico del lado izquierdo y presione hasta oír un clic (fig. 30).
2. Tire de la correa del lado derecho del cinturón hasta encontrar una posición segura y cómoda que no le apriete demasiado.

#### Para desabrochar el cinturón de seguridad:

1. Presione el mecanismo de botón en la carcasa plástica.

**¡OBLIGATORIO! Antes de cada utilización, asegúrese de que el cinturón de seguridad esté bien sujeto al Travel Scooter y esté adaptado para el usuario.**



**¡OBLIGATORIO! Antes de utilizar el Travel Scooter, compruebe que el cinturón de seguridad no tenga ninguna pieza dañada, demasiado gastada, con polvo o suciedad, y que el pestillo de cierre esté en perfectas condiciones. Si encuentra algún problema, póngase en contacto con su proveedor autorizado para su mantenimiento o reparación.**

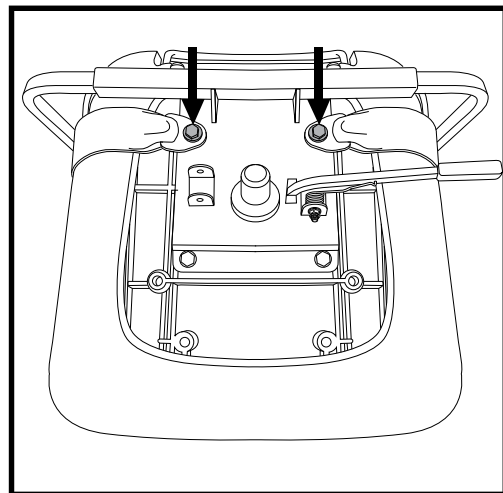


Figura 29. Tornillos del cinturón de seguridad

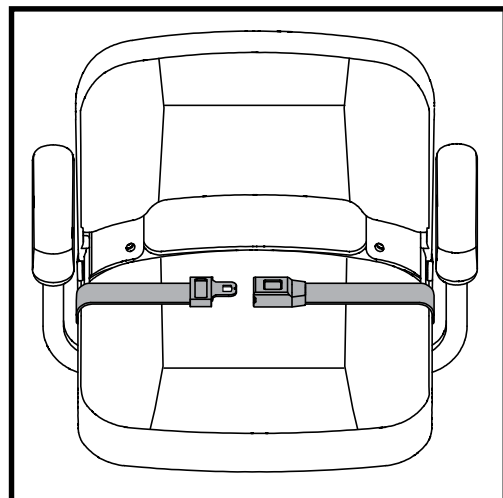


Figura 30. Cinturón de seguridad con hebilla de metal

# VI. DESMONTAJE/MONTAJE

## DESMONTAJE

Puede desmontar el Travel Scooter en varias piezas: el asiento, el almacenamiento debajo del asiento, la sección posterior, la sección frontal, la cesta, el paquete de baterías y la cubierta de las baterías (sólo en los modelos 83 y 84) (fig. 31). No se necesitan herramientas para montar o desmontar el Travel Scooter. Para el montaje o desmontaje, coloque el Travel Scooter sobre una superficie plana y seca, y con suficiente espacio para poder trabajar—aproximadamente 1.5 metros (cinco pies) en todas las direcciones. Recuerde que algunas piezas del Travel Scooter son pesadas y puede que necesite ayuda para levantarlas.



**¡ADVERTENCIA! No levante pesos encima de sus capacidades físicas. En caso necesario, pida ayuda para montar o desmontar su Travel Scooter.**

**¡ADVERTENCIA! No levante el asiento o scooter cogiéndolo por los reposabrazos, ya que pueden girar sobre su eje y hacerle perder el control de la Travel Scooter.**

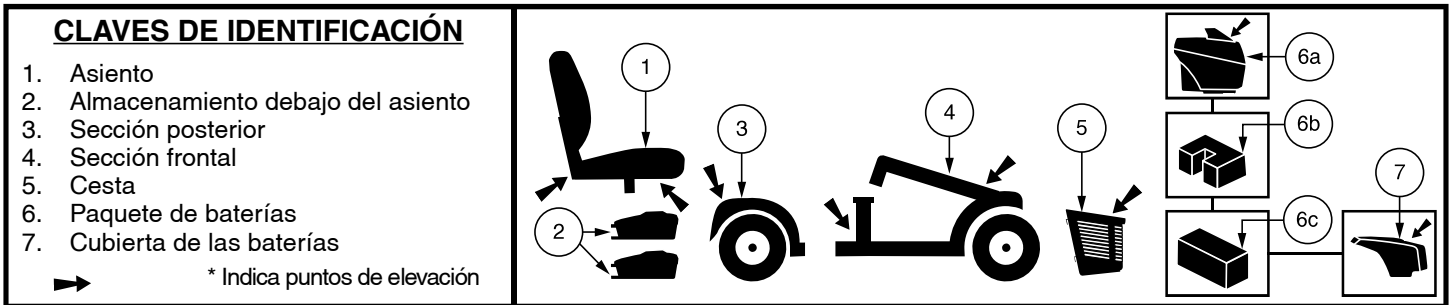


Figura 31. Componentes del Travel Scooter

### Procedimiento para el desmontaje - Modelos 29, 36, 336, 83, y 84

#### Para desmontar su scooter:

1. Saque la llave de la cerradura de contacto.
2. Bloquee el manillar en su posición frontal recta apretando el pomo regulador y girándolo 90° en sentido horario (fig. 32). Para poder bloquear el manillar, la rueda frontal debe mirar hacia delante.
3. Para quitar el asiento del Travel Scooter, tire de él hacia arriba. Si encuentra alguna resistencia, afloje la palanca de rotación del asiento y gire el asiento adelante y atrás mientras lo levanta.
4. Quite la cubierta posterior tirando de ella hacia arriba y separándola del scooter. (Sólo en los modelos 83/84).
5. Desconecte el cable de batería (fig. 22).
6. Desconecte el cable de conexión frontal-posterior (fig. 22).
7. Desconecte la cincha de amarre de las baterías. (Sólo en los modelos 83/84) (fig. 22).
8. Retire el paquete de baterías tirando de él hacia arriba y separándolo del Travel Scooter.

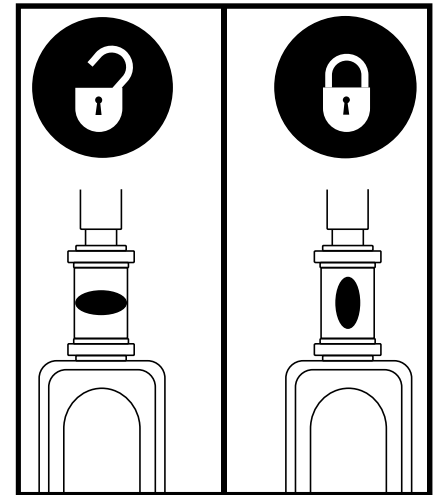


Figura 32. Pomo regulador

### PROCEDIMIENTO PARA EL DESMONTAJE - MODELOS AAP4, 39, 40, 44, 40LX, 40X, 44X, 40E, 44E, 44LX, 49, 50LX, 50LXLIT, 53, 53HD, 54, 54HD, 54LX, 54LXLIT, 66, 67, 73, 74, Y JAZZY ZTS

#### Para desmontar su scooter:

1. Saque la llave de la cerradura de contacto y, a continuación Bloquee el manillar en su posición frontal recta apretando el pomo regulador y girándolo 90° en sentido horario (fig. 32). Para poder bloquear el manillar, la rueda frontal debe mirar hacia delante.
2. Si está equipado, retire el almacenamiento bajo del asiento (fig. 28).
3. Para quitar el asiento del Travel Scooter, tire de él hacia arriba. Si encuentra alguna resistencia, afloje la palanca de rotación del asiento y gire el asiento adelante y atrás mientras lo levanta.
4. Retire el paquete de baterías tirando de él hacia arriba y separándolo del Travel Scooter.

**NOTA:** Antes de intentar desmontar la estructura, consulte el Cuadro de características generales en la página 82 para saber si su Travel Scooter viene equipado con una palanca de extracción o con una chaveta de bloqueo.

# VI. DESMONTAJE/MONTAJE

## SEPARACIÓN DE LA ESTRUCTURA

Para separar el marco:

1. Tras haber retirado el asiento y el paquete de baterías (consulte el Procedimiento para el desmontaje en la página anterior), baje el manillar y apriete el pomo regulador (**fig. 24**).
2. Quite la chaveta de bloqueo. (Sólo en los modelos 29, 36, 336, 83 o 84).
3. Levante la palanca de extracción, (**O, levante la torre del asiento para modelos 29, 36, 336, 83, y 84**) y con cuidado deje caer la sección posterior hacia atrás, hasta que los enganches de la estructura se desprendan del tubo inferior.
4. Separe con cuidado las dos secciones del Travel Scooter (**fig. 33**).

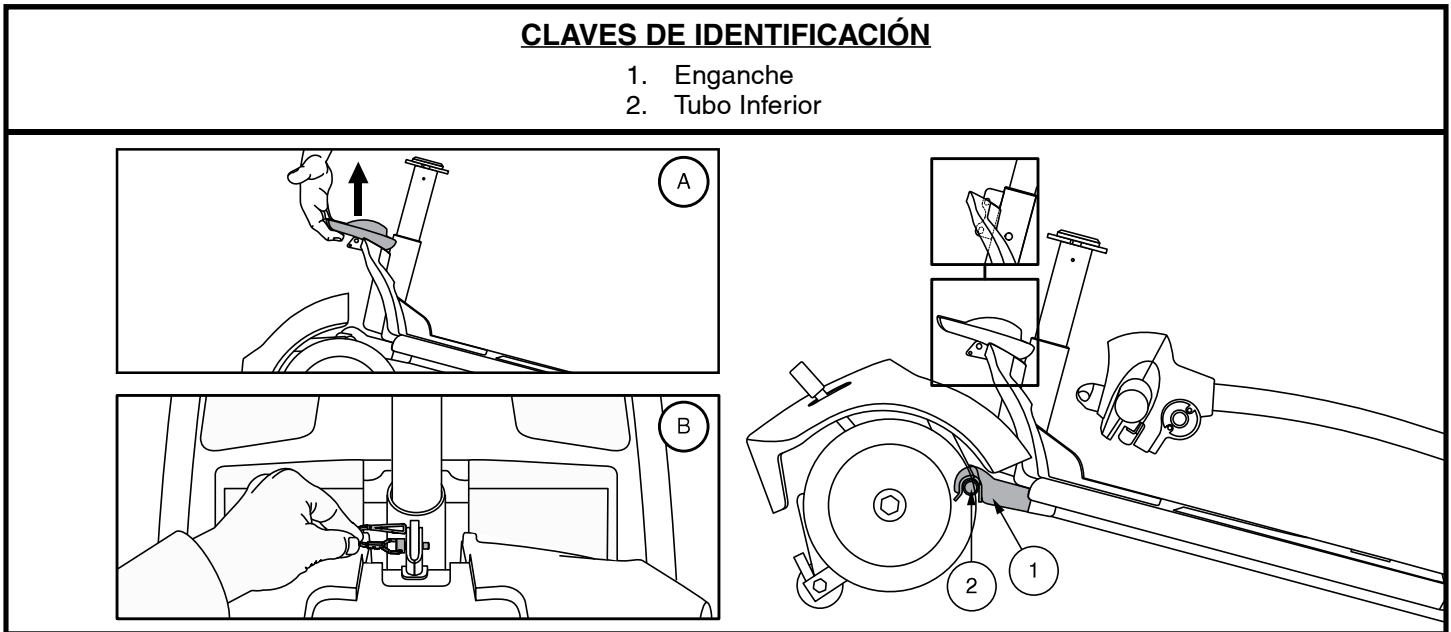


Figura 33. Palanca de extracción (Estilo A) y Chaveta de bloqueo (Estilo B)

## MONTAJE

**NOTA:** Antes de intentar montarlo, incline ligeramente la mitad posterior del Travel Scooter sobre las ruedas antivuelco, como se muestra en la fig. 33.

Para armar su scooter:

1. Utilice la palanca de extracción (o la torre del asiento para modelos 29, 36, 336, 83 y 84 sólo) para levantar la sección frontal a la vez que alinea los enganches de la sección frontal con el tubo inferior de la sección trasera (**fig. 33**).
2. Una vez colocados los enganches sobre el tubo inferior, baje la sección frontal y a la vez haga girar la sección posterior. De esta forma, bloqueará automáticamente en su sitio la estructura de los modelos AAP4, 39, 40, 44, 40LX, 40X, 44X, 40E, 44E, 44LX, 49, 50LX, 50LXLIT, 54LX, 54LXLIT, 53, 53HD, 54, 54HD, 66, 67, 73, 74, y Jazzy ZTS. En los modelos 29, 36, 336, 83 y 84, para completar el procedimiento de ensamblaje deberá volver a colocar la chaveta de bloqueo (**fig. 33**).
3. Suba el manillar y apriete completamente el pomo regulador (**fig. 24**).
4. Vuelva a instalar el paquete de baterías. En los modelos 29, 36, 336, 83 y 84, asegúrese de volver a conectar los cables de batería y de conexión frontal-posterior.
5. Coloque el asiento y gírelo hasta que quede bloqueado en su sitio.
6. Destrahe el manillar girando el pomo regulador 90° en sentido contrario a las agujas del reloj (**fig. 32**).
7. Si está equipado, instale el almacenamiento bajo el asiento (**fig. 28**).



**¡ADVERTENCIA!** Tras el montaje y antes de conducir el Travel Scooter, compruebe siempre que el pomo regulador del manillar esté desbloqueado.



# VII. RESOLUCIÓN DE PROBLEMAS

Los dispositivos electromecánicos pueden tener a veces pequeños problemas. Sin embargo, la mayoría de ellos pueden resolverse utilizando un poco de lógica y sentido común. Muchos de estos problemas o fallos ocurren porque las baterías no están completamente cargadas o porque están muy gastadas y ya no pueden cargarse.

## CÓDIGOS DE DIAGNÓSTICO

Los códigos de sonido de su Travel Scooter están diseñados para ayudarle a resolver de forma rápida y sencilla problemas básicos en su vehículo. Un código de diagnóstico emitirá un pitido y/o parpadea en caso de que se desarrolle una de las condiciones que se enumeran a continuación. Dependiendo del modelo que tenga, su Travel Scooter se comunicará con usted mediante alguno de los siguientes métodos:

1. El código de diagnóstico comenzó, dependiendo del modelo, con una serie de pitidos rápidos y/o los destellos siguieron directamente de pitidos más lentos y/o los parpadeos que indican el código real. El código sólo se emite un pitido y/o parpadea una vez. Para repetir el código de diagnóstico, retire la llave, luego vuelva a colocarla y gírela a la posición "on", **O**
2. Oirá el código de diagnóstico que identifica el problema, una pausa, y luego la repetición del mismo código. El código seguirá repitiéndose del mismo modo hasta que apague el scooter.

**NOTA:** El Travel Scooter sólo volverá a funcionar si ha resuelto el problema indicado por el código de sonido y ha apagado y luego encendido el mismo.

CÓDIGO DE DIAGNÓSTICO	PROBLEMA	SOLUCIÓN
■ (1)	El voltaje de las baterías es demasiado bajo para manejar el vehículo.	Recargue las baterías lo antes posible.
■ ■ (2)	El voltaje de las baterías es demasiado bajo.	Recargue las baterías.
■ ■ ■ (3)	El voltaje de las baterías es demasiado alto para manejar el vehículo, o tiene el cargador todavía conectado al puerto del cargador externo.	Desenchufe el cargador y/o gire la llave a la posición OFF, y luego de nuevo a la posición ON. Si baja por una pendiente, reduzca al mínimo la velocidad del scooter.
■ ■ ■ ■ (4)	Expiración del temporizador (límite de corriente).	Apague el scooter durante unos minutos y luego vuélvalo a encender.
■ ■ ■ ■ ■ (5)	Que la palanca manual esté en la posición manual.	Saque la llave de la cerradura de contacto, lleve la palanca de modo manual a la posición de conducción (hacia atrás) y vuelva a encender el Travel Scooter.
■ ■ ■ ■ ■ ■ (6)	La palanca aceleradora no estaba en su posición central en el momento del encendido.	Compruebe que las baterías estén completamente cargadas. Si es así, lleve la palanca aceleradora a su posición central, apague el Travel Scooter y luego vuélvalo a encender.
■ ■ ■ ■ ■ ■ ■ (7)	Error del potenciómetro de velocidad.	Pida ayuda a su proveedor autorizado.
■ ■ ■ ■ ■ ■ ■ ■ (8)	Error en el voltaje del motor.	Pida ayuda a su proveedor autorizado.
■ ■ ■ ■ ■ ■ ■ ■ ■ (9)	Otros errores internos.	Pida ayuda a su proveedor autorizado.

### ¿Qué hago si mi Travel Scooter no se mueve al pulsar la palanca aceleradora?

- Cuando la palanca de modo manual está hacia delante, los frenos están desactivados y la energía no llega al conjunto del motor/transeje.
- Para volver a un funcionamiento normal, empuje hacia atrás la palanca manual, apague el Travel Scooter y luego vuélvalo a encender.

## VII. RESOLUCIÓN DE PROBLEMAS

### Mi Travel Scooter no se enciende ni funciona

- Compruebe que la llave esté en la posición “on”.
- Compruebe que las baterías estén completamente cargadas.
- Apriete el botón del disyuntor principal/reinicio. Capítulo II, “Su Travel Scooter.”
- Verifique que el paquete de baterías esté conectado correctamente.
- Compruebe que los cables de batería y de conexión frontal-posterior estén conectados correctamente. (Sólo en los modelos 29, 36, 336, 83, y 84).
- Asegúrese de que el temporizador de desconexión no haya sido activado. Capítulo IV, “Funcionamiento”.
- Verifique el fusible de la consola situado bajo el paquete de baterías.

### Para verificar un fusible:

1. Retire el fusible, extrayéndolo de su ranura.
2. Examine el fusible para comprobar si está fundido (fig. 34).
3. Coloque un nuevo fusible del tipo y características apropiadas.



**¡ADVERTENCIA!** El nuevo fusible debe ser del mismo tipo y características que el anterior. De lo contrario, podría provocar daños en el sistema eléctrico.

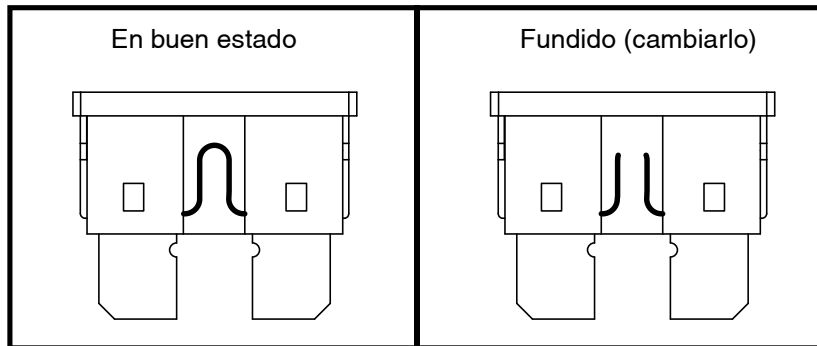


Figura 34. Cambio de fusible

### No consigo cargar mis nuevas baterías

- Verifique el fusible situado en el paquete de baterías o la consola del manillar. Cámbielo en caso necesario.
- Durante el cargado de baterías, si el piloto luminoso nunca llega a indicar una carga completa, verifique el fusible situado en el paquete de baterías o la consola del manillar. Cámbielo en caso necesario, o pida a su proveedor autorizado que compruebe su funcionamiento y/o lo cambie por otro nuevo.
- Compruebe que ambos extremos del cable del cargador estén bien conectados.
- Si sigue sin poder cargarlas, póngase en contacto con su proveedor autorizado.

### ¿Qué hacer si el disyuntor principal salta repetidamente?

- Si el disyuntor principal interrumpe la corriente a menudo, consulte a su proveedor autorizado.
- Cargue las baterías del Travel Scooter con más frecuencia. Capítulo III, “Baterías y su carga”.
- Consulte el capítulo III, “Baterías y su carga” o “Hoja de características del producto” para conocer el tipo de baterías de su Travel Scooter.

### El indicador de batería cae en picado y el motor hace extraños ruidos cuando pulso la palanca aceleradora?

- Cargue completamente las baterías del Travel Scooter (III, “Baterías y su carga”).

Si encontrara otro problema que no pudiera resolver, póngase en contacto con su proveedor autorizado para obtener la información, el mantenimiento y el servicio necesarios.

# VIII. CUIDADO Y MANTENIMIENTO

Su Travel Scooter necesita un cuidado y un mantenimiento mínimos. Si no se siente competente para proporcionar a su Travel Scooter los cuidados citados a continuación, pida cita a su proveedor autorizado para que realice un chequeo de inspección y mantenimiento. Deberá realizar revisiones y/o controles periódicos en las siguientes zonas.

## LOS NEUMÁTICOS

Inspeccione regularmente el desgaste en las ruedas de su Travel Scooter.

## CAMBIO DE RUEDAS

Su Travel Scooter está equipado con ruedas macizas. En caso de daño o desgaste excesivo en una rueda, deberá cambiar la rueda entera. Consulte a su proveedor autorizado para obtener más información sobre el cambio de ruedas para su Travel Scooter.

**¡ADVERTENCIA!** Las ruedas del Travel Scooter únicamente podrán ser mantenidas o reemplazadas por un proveedor autorizado o un técnico cualificado.



**¡ADVERTENCIA!** Asegúrese de haber quitado la llave de la cerradura de contacto y de que el scooter no esté en modo manual antes de realizar esta acción.

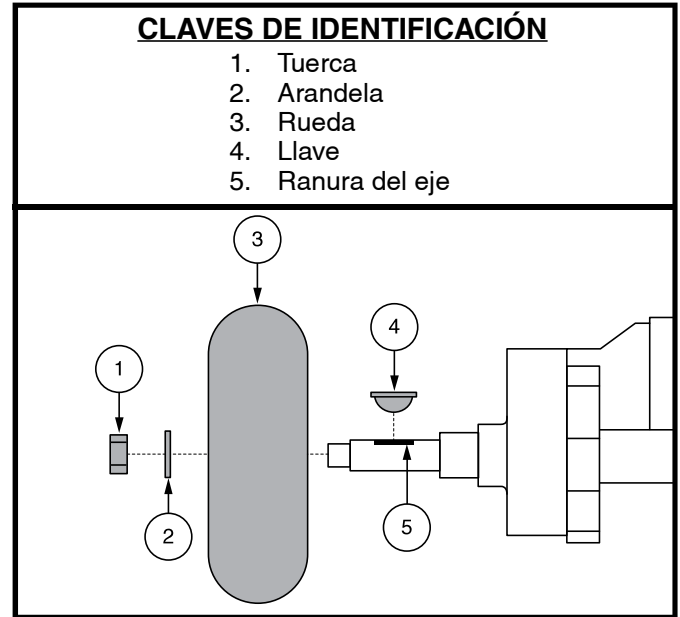


Figura 35. Extracción de la rueda de conducción

Para instalar la rueda de forma rápida y segura, siga estos sencillos pasos:

1. Saque la llave de la cerradura de contacto y asegúrese de que el Travel Scooter no esté en modo manual.
2. Levante el lateral del Travel Scooter del que vaya a retirar la rueda. Coloque unos bloques de madera bajo la estructura para levantar el Travel Scooter.
3. Retire la tuerca de la rueda motriz del cubo (fig. 35).
4. Retire la rueda motriz de su eje.
5. Coloque la rueda en su eje. Asegúrese de que la llave esté en la ranura del eje.



**¡ADVERTENCIA!** A la hora de colocar una rueda, asegúrese de que la llave del eje esté instalada correctamente en la ranura del eje. La colocación incorrecta de una rueda hará que el sistema de frenos permanezca desactivado, lo que podría ocasionarle lesiones o daños en el producto.

6. Coloque de nuevo la tuerca de la rueda en el cubo y apriete.



**ADVERTENCIA!** Asegúrese de volver a colocar y apretar correctamente tuercas y arandelas.

7. Retire los bloques bajo el Travel Scooter.

## SUPERFICIES EXTERIORES

Aplique ocasionalmente un acondicionador de caucho o vinilo en los parachoques, neumáticos y molduras.



**¡ADVERTENCIA!** No aplique el acondicionador de caucho o vinilo en el asiento de vinilo del Travel Scooter ni en la rodadura de los neumáticos ya que se volverían peligrosamente resbaladizos.

## LIMPIEZA Y DESINFECCIÓN

Se deben tomar precauciones al limpiar equipos / dispositivos para reducir el riesgo de propagación de infecciones. Esto es para limitar la propagación de enfermedades y otros materiales potencialmente infecciosos (OPIM) (componentes sanguíneos).

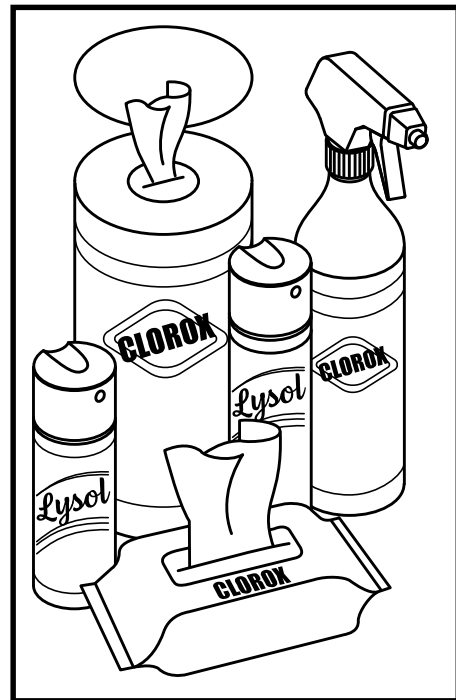
## VIII. CUIDADO Y MANTENIMIENTO

- Utilice un paño húmedo y suave y un limpiador no abrasivo para limpiar las partes plásticas y de metal del scooter. No use productos que puedan rayar la superficie del scooter.
- En caso necesario, limpie su producto con un desinfectante apropiado. Antes de aplicarlo, asegúrese de que pueda utilizar el desinfectante en su producto.

### CÓMO LIMPIAR / DESINFECTAR EL EQUIPO:

**SUPERFICIES DURAS/BLANDAS** (Cubiertas de plástico, armazón de metal, tela del asiento, neumáticos, apoyabrazos y alfombrillas para los pies, según corresponda)

- Para superficies duras / blandas, elimine la contaminación visible si está presente.
  - Para plástico y metal, use el aerosol / toallitas desinfectantes Lysol®/ Clorox® y otros productos desinfectantes calificados para el SARS-CoV-2.
  - Para otras superficies de vinilo, limpie con toallitas desinfectantes aptas para vinilo o soluciones
    - Desinfectantes sugeridos
      - Desinfectante Birex® SE, Desinfectante Bleach-Rite® Aerosol, Citrace® Germicida
      - Desinfectante limpiador hospitalario en aerosol Dispatch® con blanqueador
      - Solución de lejía diluida (dilución al 10% o menos); Nota: es adecuada la lejía con un factor de pH entre 7 y 9; un producto con un pH de 10,5 o superior puede dañar la integridad de la superficie del vinilo durante un período prolongado período de tiempo
    - Toallitas desinfectantes
      - Toallitas Clorox, Green Works, PDI Sani-Cloth HB Lysol, Oxivir, Virox y CaviWipes.
  - Para la limpieza de llantas, limpie con limpiadores de llantas/ruedas disponibles en el mercado



**ELECTRÓNICA** (controlador de joystick, pantallas mejoradas, pantallas táctiles, controles remotos, teclados, teléfonos celulares y tabletas, según corresponda)

- Para la electrónica, elimine la contaminación visible si está presente.
  - Apague el dispositivo y desconecte las baterías.
  - Nunca rocíe ningún líquido directamente en el (los) producto(s).
  - Humedezca un paño de microfibra con una mezcla de alcohol isopropílico al 70% / solución de agua al 30%. La tela debe estar húmedo, pero no goteando ni excesivamente mojado. Seque bien las superficies para evitar la acumulación de líquidos y antes de encajar.

**¡ADVERTENCIA! Siga todas las instrucciones de seguridad para el uso adecuado del desinfectante y / o agente de limpieza antes de aplicarlo a su producto. El incumplimiento puede resultar en irritación de la piel o deterioro prematuro de la tapicería y / o acabados de las Travel Scooter.**



**¡ADVERTENCIA! Nunca lave su Travel Scooter con una manguera ni la coloque en contacto directo con el agua. Su Travel Scooter tiene una cubierta de plástico ABS pintada que permite limpiarla fácilmente con un paño húmedo**

**¡ADVERTENCIA! Nunca use productos químicos para limpiar un asiento de vinilo, ya que pueden hacer que el asiento se vuelva resbaladizo o se seque y se agriete. Use agua con jabón y seque bien el asiento.**

# VIII. CUIDADO Y MANTENIMIENTO

## CONEXIONES DE LOS BORNES DE BATERÍA

Asegúrese de que las conexiones de los bornes estén tensas y sin corrosión.

## CABLEADO ELÉCTRICO

- Compruebe regularmente todas las conexiones cableadas.
- Verifique regularmente el aislamiento de los cables, incluido el cable del cargador, para descartar cualquier desgaste o daño.
- Pídale a su proveedor autorizado que repare o cambie los conectores o material aislante dañado antes de volver a utilizar su Travel Scooter.



**¡PROHIBIDO!** Si bien el Travel Scooter ha superado todas las pruebas requeridas de resistencia a líquidos, deberá evitar que los componentes eléctricos se humedezcan (exposición directa al agua o fluidos corporales e incontinencia). Verifique los comp. eléctricos y, en caso de encontrar signos de corrosión, sustitúyalos por otros nuevos.



**¡ADVERTENCIA!** No tire directamente de los cables eléctricos para desconectarlos del scooter. Sujete siempre por el conector del cable para evitar cualquier daño a la hora de desenganchar los cables.

## CONTROLES DIARIOS

- Con la alimentación apagada, compruebe el acelerador. Asegúrese de que no esté torcida o dañada y vuelva a su posición central al soltarla. Compruebe visualmente que la base de caucho de la palanca no se encuentre dañada. No la manipule ni intente repararla. En caso de problemas, consulte con su proveedor autorizado.
- Inspeccione el cable de timón. Asegúrese de que no esté deshilachado, con cortes o cables a la vista. En caso de problemas, consulte con su proveedor autorizado.
- Compruebe que las ruedas macizas no estén abolladas. Las abolladuras pueden afectar a la estabilidad de la Travel Scooter.
- Compruebe que no haya piezas flojas, puntos de tensión u otros daños en los reposabrazos. En caso de problema, consulte con su proveedor.
- Compruebe los frenos. Esta prueba debe realizarse sobre una superficie llana, con la Travel Scooter levantada a unas 36 pulgadas del suelo.

### Para comprobar los frenos:

1. Encienda el regulador y ajuste la palanca a la velocidad más baja.
2. Transcurrido un segundo, compruebe el indicador de batería. Asegúrese de que sigue encendido.
3. Halar lentamente la acelerador hacia delante hasta oír el clic de los frenos electromagnéticos. Suelte inmediatamente la acelerador. Oirá el accionamiento de los frenos unos segundos después del movimiento de la acelerador. Repetir esta prueba tirando de la válvula reguladora en la dirección opuesta.

## CONTROLES SEMANALES

- Desconecte el mando y el cable del cargador del panel eléctrico e inspecciónelos. Compruebe que no haya corrosión. Contacte con su proveedor autorizado en caso necesario.

## CONTROLES MENSUALES

- Compruebe que las ruedas antivuelco no rozan el suelo cuando está manejando la Travel Scooter.
- Compruebe el nivel de desgaste de las ruedas antivuelco y reemplácelas si es necesario.
- Compruebe el desgaste de las ruedas motrices. En caso necesario, consulte con su proveedor autorizado.
- Mantenga su Travel Scooter limpio y libre de objetos extraños como barro, pelos, comida o bebida.

## CONTROLES ANUALES

Diríjase a su proveedor autorizado para efectuar las revisiones anuales. Así, tendrá la seguridad de que su Travel Scooter sigue funcionando correctamente, además de prevenir posibles complicaciones.

## VIII. CUIDADO Y MANTENIMIENTO

### CARROCERÍA DE PLÁSTICO ABS

Si su Travel Scooter tiene un protector de carrocería con un **acabado brillante**, el protector de carrocería ha sido rociado con un recubrimiento sellador claro. Puede aplicar un recubrimiento ligero de cera para automóvil para ayudar a retener su apariencia brillante. Si su Travel Scooter tiene un protector de carrocería con un **acabado mate**, use SÓLO productos desarrollados para pinturas con acabado mate. No use cera, spray para detalles, ArmorAll®, ni ningún otro producto hecho para pinturas brillantes.



**¡ADVERTENCIA! Escoja cuidadosamente el producto correcto para proteger el acabado del(los) protector(es) de su Travel Scooter. En los protectores con un acabado mate, SÓLO deben usarse productos desarrollados para pintura con acabado mate. No tomar en cuenta esta advertencia puede tener como consecuencia un daño en el acabado mate de la pintura del protector.**

### COJINETES DEL EJE Y CONJUNTO MOTOR/TRANSEJE

Estos elementos vienen prelubricados y sellados, y no necesitan más lubricación.

### CONSOLA, CARGADOR/SIST. ELÉCTRICO

- Mantenga siempre estas zonas sin humedad.
- Si alguno de estos componentes se humedeciera, déjelo secar completamente antes de volver a utilizar su Travel Scooter.

### CAMBIO DE LAS CONTRATUERCAS DE NYLON

Toda contratuerca de nylon que haya sido retirada con motivo del mantenimiento periódico, el montaje o desmontaje del Travel Scooter, deberá ser reemplazada por una nueva. Las contratuercas de nylon no pueden volver a utilizarse ya que se dañaría la inserción de nylon, provocando un ajuste menos seguro. Dispone de contratuercas de nylon de recambio en su ferretería local o puede conseguir las a través de su proveedor autorizado.

### ALMACENAMIENTO

Si planea no utilizar su Travel Scooter por un periodo largo de tiempo, le aconsejamos que:

- Antes de guardar su Travel Scooter, cargue completamente las baterías.
- Extraiga el paquete de baterías del Travel Scooter.
- Guarde el Travel Scooter en un lugar templado y seco. No deje que las baterías se congelen.
- Evite guardar el Travel Scooter en lugares sujetos a temperaturas extremas.
- Aunque su Travel Scooter puede soportar temperaturas de almacenamiento a corto plazo entre -40°F (-40°C) y 149°F (65°C), se recomienda que las temperaturas de almacenamiento a largo plazo estén entre -13°F (-25°C) y 122°F (50°C). Las condiciones ideales de almacenamiento son 68°F (20°C) a 70°F (21°C) siempre que sea posible, pero sabemos que no siempre es factible debido a los diferentes climas y entornos.

Las baterías que se dejan descargar con frecuencia, no se cargan con regularidad, se guardan bajo temperaturas extremas o antes de haberlas recargado completamente pueden dañarse de forma permanente, afectando al funcionamiento del producto y limitando la vida de las mismas. Aunque guarde el scooter durante largos periodos de tiempo, nosotros recomendamos cargar las baterías periódicamente para garantizar un rendimiento óptimo.



**¡ADVERTENCIA! Proteja siempre las baterías de temperaturas heladas y nunca cargue una batería congelada. El cargado de una batería congelada puede provocar daños en la batería.**

Si va a guardar el scooter durante un largo tiempo, coloque varios cartones bajo la estructura del vehículo para levantarlo del suelo. Así, las ruedas no tienen que soportar todo el peso y se reduce el riesgo de abolladuras en las zonas de los neumáticos en contacto con el suelo.

### ELIMINACIÓN Y RECICLAJE DEL TRAVEL SCOOTER

Para deshacerse de su Travel Scooter deberá tener en cuenta la normativa aplicable en su país. Póngase en contacto con la agencia local de eliminación de residuos o con su proveedor autorizado para saber cómo deshacerse correctamente del paquete, los componentes metálicos y plásticos, el sistema electrónico, las baterías, así como los materiales de neopreno, silicona y poliuretano.



**¡ADVERTENCIA! Las bolsas de plástico son un peligro de asfixia. Deseche las bolsas de plástico adecuadamente y no permita que los niños jueguen con ellas.**

# NOTES

# NOTES



# NOTES

# NOTES



*Please fill out the following information for quick reference:*

*S.V.P. veuillez compléter les informations ci dessous:*

*Por favor, rellene la siguiente información para tener siempre a mano:*

Provider:

Détaillant:

Proveedor: \_\_\_\_\_

Address:

Adresse:

Dirección: \_\_\_\_\_

Telephone:

Téléphone:

Número de teléfono: \_\_\_\_\_

Purchase Date:

Date d'achat:

Fecha de compra: \_\_\_\_\_

Serial #/série #/serie #



UDI Label (if applicable)

UDI Étiquette (le cas échéant)

UDI Etiqueta (si es aplicable)