



PRODUCT MANUAL



www.shopjourney.com

1. Preface	4
2. Safety Notice	5
3. Safety Guidelines	7
3.1 General	7
3.2 Intended Use	7
3.3 Product Safety Symbols	7
3.4 Modification	11
3.5 Safety Check	11
3.6 Weight Capacity	11
3.7 Transporting Your Scooter	11
3.8 EMI Information	12
4. Your Product	13
4.1 Manual Freewheel Lever	13
4.2 Battery Condition Meter	14
4.3 Throttle Control Lever	14
4.4 Key Switch	14
4.5 Speed Adjustment Dial	14
4.6 Horn Button	14
5. Operation	15
5.1 Before getting onto your travel scooter	15
5.2 Getting onto your travel scooter	15
5.3 Pre-Ride Adjustment and check	15
5.4 Operating your travel scooter	15
5.5 Power Down Timer Feature	16
6. Comfort Adjustment	17
6.1 Delta tiller And Rear View Mirrors Adjustment (Optional)	17
6.2 Tillers Angle Adjustment (Optional)	17
6.3 Seat Rotation Adjustment	18
6.4 Armrest Width Adjustment	18
6.5 Seat Height Adjustment	18
7. Disassembly And Assembly	19
7.1 Disassembly	19
7.2 Disassembly Procedures	19
7.3 Frame Separation	19
7.4 Assembly	20
8. Basic Troubleshooting	21
9. Batteries And Charging	22
9.1 First Charge	22
9.2 Charging Your Scooter	22
9.3 Operating Temperatures	22
9.4 Battery Operation and Charging	22
9.5 Charging Batteries	23

10. Care And Maintenance	24
10.1 Tire	24
10.2 Wheel Replacement.....	24
10.3 Exterior Surfaces	24
10.4 Cleaning and Disinfection.....	24
10.5 Battery Terminal Connections	24
10.6 Wiring Harness	24
10.7 Daily Checks.....	24
10.8 Nylon Lock Nut Replacement.....	25
10.9 Storing Your Travel Scooter	25
10.10 Disposal of Your Mobility scooter.....	25
11. Specifications	26
12. Warranty	28
12.1 Two (2) Year Limited Warranty	28
12.2 One (1) Year Limited Warranty	28
12.3 Not Covered Under Warranty.....	28
12.4 Batteries.....	28
12.5 Service Checks and Warranty Service.....	28
12.6 Replacement Units	28
Appendix I : EMC compliance information	29

Congratulations! You are now the owner of a Journey Adventure scooter!

Please read this Owner's Manual before operating your scooter for the first time. Improper use of the scooter may result in harm, injury, or traffic accidents.

If you still have questions after reading this manual, do not hesitate to contact Journey Customer Service at 1-800-958-8324.



WARNING!

Improper use could lead to death, serious injury, hazardous conditions, or product malfunction.



SUGGESTION!

Follow these instructions for best practices, and to keep your scooter in prime operating order.

This Owner's Manual is composed of the product design and specifications at the time of publication. As design changes, some illustrations and pictures in the manual may not correspond to the scooter you purchased. We reserve the right to make design modifications.

Journey Health & Lifestyle disclaims all responsibility for any personal injury or property damage that may occur due to improper or unsafe use of this product.

- Read and follow the information in the owner's manual. Do not use this product or any available optional equipment without first thoroughly reading and understanding these instructions. If you cannot understand the warnings, cautions, or instructions, contact Journey Customer Service before attempting to use this equipment. Otherwise, injury or damage may occur. Never try to use your mobility scooter beyond its limitations, as described in this manual.
- Extreme care should be taken when turning corners and navigating drops, obstacles, and gradients.
- Ensure the mobility scooter is fully folded out before sitting on the scooter. Do not fold up the scooter until the backrest is folded down, and the armrests are lowered to their lowest setting.
- Keep your feet on the footboard at all times during operation. Do not stand on the footboard.
- Only drive on flat surfaces where all four wheels touch the ground and have sufficient contact.
- If the battery gauge drops to red, charge the scooter as soon as possible. Completely discharging the batteries may damage the batteries or shorten the expected life of the batteries.
- Keep metal objects away from the battery to prevent the potential of electric shock.
- Reduce your speed and maintain a stable center of gravity when turning corners.
- Make sure that there are no obstacles behind you while reversing.
- Do not allow children to play near or operate the scooter.
- The controller can only operate in temperature that ranges between -14°F to 122°F. Surface temperatures can increase when exposed to external sources of heat.
- Store scooter in a clean and dry condition.
- Do not drive your scooter at night without proper lighting.
- Do not remove the anti-tip wheels or transit wheels.
- Keep your hands and feet away from moving parts while driving. Be aware of loose-fitting clothes that can become caught in the wheels.

2. SAFETY NOTICE

- Do not connect an extension cord to the battery charger.
- Disassembling the controller, motor, or charger by anyone other than an authorized service agent is prohibited and voids any applicable warranty.
- Do not take your mobility scooter on roads or highways.
- Do not use your mobility scooter if you are under the influence of alcohol, medicines, or other substances that may influence your driving abilities.
- Do not attempt to lift your mobility scooter by any parts other than the frame (for example, seat or body shrouds)

3.1 General

Before operating your mobility scooter, fully read and understand this Owner's Manual.

Users may encounter difficulty maneuvering narrow doorways, traveling up and down ramps, turning corners, and traveling on uneven terrain. Be sure to lower the speed, take your time, and carefully maneuver your scooter.

3.2 INTENDED USE

The intended use of this device is to provide mobility to persons that have the capability of operating a scooter.

It is designed for the use of one person with maximum weight 300 lbs, not passengers (including children).

Scooter consists of frame, motor, controller, battery, wheels, shell, and hardware accessories.

3.3 Product Safety Symbols

The symbols below are used on the mobility scooter to identify warnings, mandatory actions, and prohibited actions. It is very important for you to read and understand them completely.

Product Name :
Model :
Voltage : 24 V / DC
Controller Model : DR50
Max. Speed : 8 Km/H
Battery Model :
Charger Model :
Charger Input :
Charger Output :

Type Class : A
Rated Power : 270 w
Motor Model :
Max. Load : 136 kg



Scooter information label.



DOES NOT meet ISO 7176-19 standards for occupied transport in a motor vehicle. When travelling in a motor vehicle, do not sit on device.

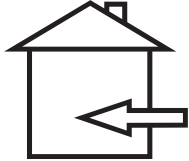


Fully charge batteries before operating.
Remove key when unattended.

3. SAFETY GUIDELINES



Contact your local recycling center or authorized provider for information on proper recycling of product components.



Indicates component is for indoor use only.



Contains Lead.



Your product must be disposed of according to applicable local and national statutory regulations. Contact your local recycling center or authorized provider for information on proper disposal of product components.



Indicates a potentially hazardous situation which, if not avoided, could result in death or severe injury. Property damage may also result.



Indicates electrical shock hazard.



EMI-RFI - This product has been tested and passed at an immunity level of 20 V/m.



Indicates that explosive conditions exist.



Corrosive chemicals contained in batteries.



Pinch/Crush points exist.

3. SAFETY GUIDELINES



Indicates a mandatory action that should be performed as specified in order to avoid a hazardous condition/situation. Failure to perform mandatory actions can lead to personal injury and/or equipment damage.



Read and follow the information in the owner's manual.



Indicates maximum weight capacity. Stay within the specified weight capacity of your product.



Use only AGM or Gel-Cell batteries to reduce the risk of leakage or explosive conditions.



N = Neutral (Brakes disengaged; unit in Freewheel Mode)



D = Drive (Brakes engaged, unit in Drive Mode)



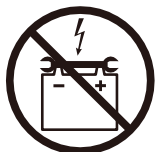
Indicates a prohibited action that should not be performed at any time or in any circumstances. Performing a prohibited action can cause personal injury and/or equipment damage.



Do not use batteries with different amp-hour (Ah) capacities. Do not mix old and new batteries. Always replace both batteries at the same time.



Do not mix AGM and Gel-Cell batteries. Always use batteries of the same type and chemistry.



Keep tools and other metal objects away from battery terminals. Contact with tools can cause electric shock.

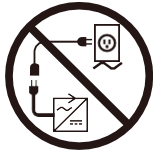
3. SAFETY GUIDELINES



Do not allow unsupervised children to play near the scooter while the batteries are charging.



Removal of grounding prong can create electrical hazard. If necessary, properly install an approved 3-pronged adapter to an electrical outlet having 2-pronged plug access.



Do not connect an extension cord to the AC/DC converter or the battery charger.



Indicates flammable material. Do not expose to heat sources such as open flame or sparks. Do not transport batteries with flammable or combustible items.



Avoid exposure to rain, snow, ice, salt, or standing water whenever possible. Maintain and store in a clean and dry condition.



Do not remove anti-tip wheels.



Keep your hands away from the tires when driving. Be aware that loose fitting clothing can become caught in the drive tires.



Do not engage freewheel mode on an incline.



Do not engage freewheel mode on a decline.

24V 12AH

Battery capacity label

24V 20AH

Battery capacity label

3.4 Modification

Do not modify, remove, disable, or add any parts, features, or functions on your mobility scooter. Journey Health & Lifestyle offers a wide variety of accessories for your mobility scooter to help accommodate your needs.



WARNING – Do not modify your mobility scooter in any way; doing so will void the warranty.

3.5 Safety Check



ATTENTION – Inspect the following components before each use:

- Electrical connections and wire harness – secure and free from corrosion
 - Batteries – fully charged and free from corrosion
 - Brake – check to make sure the electromagnetic brake is functioning
 - Folding system – ensure the scooter is fully folded out before use
 - The condition of the tires – make sure they are not damaged or excessively worn
- If you notice a problem please contact Journey Health & Lifestyle Customer Service for assistance.

3.6 Weight Capacity

This mobility scooter is designed and produced solely to transport one person with a maximum weight of 300 lbs. It is not designed to transport goods or objects or used in a manner other than the transport previously described.



WARNING – Exceeding the maximum weight capacity will void your warranty. Journey Health & Lifestyle will not be held responsible for injury or damages resulting from failure to observe weight capacities.

3.7 Transporting Your Scooter

When transporting your mobility scooter by vehicle, it should be securely stowed in the back of a vehicle, truck or car boot. Adjustable parts should be removed or properly secured during transport.

In order to ensure the safety of the user and to ensure that the mobility scooter is not damaged during handling, only the following components should be lifted:

- a. The handle of the rear shell.
- b. Steering column.
- c. Front bumper

Your mobility scooter is suitable for land and maritime transport.



WARNING – Do not sit in your mobility scooter while in a moving vehicle.

3.8 EMI Information

Electromagnetic interference (EMI) tests have been shown to produce adverse effects on the performance and control of electrically powered mobility devices.

EMI can be produced from different sources such as cellular phones, two-way radios, radio stations, television stations, amateur radio transmitters (HAM), wireless computer links, microwave signals, paging transmitters, and transceivers used by emergency vehicles.

The EMI waves can cause unintentional movement of the scooter or damage to the controller. Every electrically-powered mobility device has a resistance to EMI. The higher the resistance level, the greater the protection. The intensity of the interference can be measured in volts per meter, V/m. At this time, current technology is capable of achieving an immunity level of 20 V/m, which provides protection from more common sources of EMI. Your scooter, with no modifications, has an immunity level of 20 V/m.

EMI becomes more intense as you move closer to the source. The EMI produced from hand-held radios is of special concern. It is possible to unintentionally bring high levels of EMI very close to the scooter's control system, affecting your movement and braking. The warnings listed below are recommended to prevent possible interference with the control system of your scooter.



WARNING – Do not operate hand-held transceivers such as CB (citizens band) radios, or turn on personal communication devices, such as cellular phones, while the scooter is powered on.



WARNING – Drive your mobility scooter straight up or down an incline, never backward. Erratic movements or back and forth patterns may increase the chance of tipping. Changes in inclines.



WARNING – Be aware of nearby transmitters, such as radio or television stations, and avoid close.

The Journey Adventure mobility scooter is easy to operate and is primarily intended for indoor use. It is foldable, which makes it very compact to store or transport. The following picture shows all parts that are relevant for the user/driver. In the operation and maintenance section, these parts are described if applicable.



Figure 1. Important parts

- | | | |
|----------------------|--------------------|-----------------------------|
| 1. Operating console | 4. Battery package | 7. Seat & Back |
| 2. Handgrip | 5. Front wheel | 8. Free-wheel lever |
| 3. Steering column | 6. Footplate | 9. Rear wheel / drive wheel |

4.1 Manual Freewheel Lever

The scooter can be pushed in freewheel mode

1. Locate the manual freewheel lever at the top right of the rear frame.
2. Push forward on the manual freewheel lever to disable the drive system and the brake system. You may now push your scooter.
3. Push the manual freewheel lever rearward to reengage the drive and the brake systems; this takes your scooter out of freewheel mode.



WARNING – Before placing your scooter into or taking it out of freewheel mode, remove the key from the key switch. Never sit on a your scooter when it is in freewheel mode. Never put a your scooter in freewheel mode on any incline. When your scooter is in freewheel mode, the braking system is disengaged.

- Disengage the drive motors only on a level surface.
- Ensure the key is removed from the key switch.
- Stand to the side of the scooter to engage or disengage freewheel mode.
- Never sit on a Travel Scooter to do this.
- After you have finished pushing your Travel Scooter, always return it to the drive mode to lock the brakes.



- | | |
|----------------------------|--------------------------|
| 1. Battery condition meter | 4. Speed adjustment dial |
| 2. Throttle control lever | 5. Horn |
| 3. Key switch | |

4.2 Battery Condition Meter

When the key is fully inserted into the key switch, the meter indicates approximate battery strength. For further information on the battery condition meter, see 9. “Batteries and Charging.”

4.3 Throttle Control Lever

This lever allows you to control the forward and reverse speed of your scooter up to the maximum speed you preset with the speed adjustment dial.

- Place your right hand on the right handgrip and your left hand on the left handgrip.
- Use your right thumb to push the right side of the lever to disengage your scooter’s brakes and move forward.
- Release the lever and allow your scooter to come to a complete stop before pushing the other side of the lever to move in reverse.
- When the throttle is completely released, it automatically returns to the center “stop” position and engages your scooter’s brakes.

4.4 Key Switch

- Insert the key into the key switch to power up (turn on) your scooter.
- Pull the key out of the key switch to power down (turn off) your scooter.
- Although the key can be left in the key switch when the scooter is powered down, we recommend removing it to prevent unauthorized use of your scooter.

4.5 Speed Adjustment Dial

This dial allows you to preselect and limit your scooter’s top speed.

- The image of the bird represents the slowest speed setting.
- The image of the airplane represents the fastest speed setting.

4.6 Horn Button

This button activates a warning horn. Your scooter must be turned on for the horn to be operational.

5.1 Before getting onto your travel scooter

- Have you fully charged the batteries? See 9. "Batteries and Charging."
- Is the manual freewheel lever in the drive (rearward) position? Never leave the manual freewheel lever in the forward position unless you are manually pushing your scooter.
- Ensure the air temperature is between -13°F to 122°F.
- Ensure the air humidity is between 30% to 70%.

5.2 Getting onto your scooter

1. Make certain that the key is removed from the key switch.



WARNING – Never attempt to get on or off without first removing the key. This will prevent the scooter from moving if accidental throttle control lever contact is made.

2. Stand at the side of your scooter.
3. Disengage the seat rotation lever and rotate the seat until it is facing you.
4. Make certain that the seat is secured into position.
5. Position yourself comfortably and securely in the seat.
6. Disengage the seat rotation lever and rotate the seat until you are facing forward.
7. Make certain that the seat is secured into position.
8. Make certain that your feet are safely on the floorboard.

5.3 Pre-Ride Adjustment and check

- Is the seat at the proper height? See 6. "Comfort Adjustments."
- Is the seat secured into place?
- Is the tiller in a comfortable setting and secured into place? See 6. "Comfort Adjustments."
- Is the key fully inserted into the key switch?
- Does the scooter's horn work properly?
- Is your proposed path clear of obstacles?
- Have you planned your route to avoid adverse terrain and as many inclines as possible?

5.4 Operating your scooter



WARNING – The following can adversely affect steering and stability while operating your scooter:

- Holding onto or attaching a leash to walk your pet.
- Carrying passengers (including pets).
- Hanging any article from the tiller.
- Towing or being pushed by another motorized vehicle.

WARNING – Keep both hands on the tiller and your feet on the floorboard at all times while operating your scooter. This driving position gives you the most control over your vehicle.

- Set the speed adjustment dial to your desired speed.
- Press your thumb against the appropriate side of the throttle control lever.
- The electromechanical disc park brake automatically disengages, and the scooter accelerates smoothly to the speed you preselected with the speed adjustment dial.
- Pull on the left handgrip to steer your scooter to the left.

- Pull on the right handgrip to steer your scooter to the right.
- Move the tiller to the center position to drive straight ahead.
- To stop, slowly release the throttle control lever. The electronic brakes will automatically engage when your scooter comes to a stop.

NOTE: Your scooter's reverse speed is slower than that of the forward speed you preset with the speed adjustment dial.

5.5 Power Down Timer Feature

Your scooter is equipped with an energy-saving automatic power-down timer feature designed to preserve your scooter's battery life. If you mistakenly leave the key in the key switch and in the "on" position but do not use your scooter for approximately 15 minutes, the scooter's controller shuts down automatically.

If the power down timer feature takes effect, perform the following steps to resume normal operation.

1. Remove the key from the key switch.
2. Reinsert the key and power up your scooter.

6.1 Delta tiller And Rear-View Mirrors Adjustment (Optional)



Figure 3. Delta tiller And Rear-View Mirrors

It is possible to adjust the rear-view mirrors:

1. Move the cap ③ upwards.
2. Loosen the mirror screw.
3. Grasp the tube ② gently.
4. Rotate the tube ② and put the mirror ① in the desired position.

6.2 Tillers Angle Adjustment (Optional)

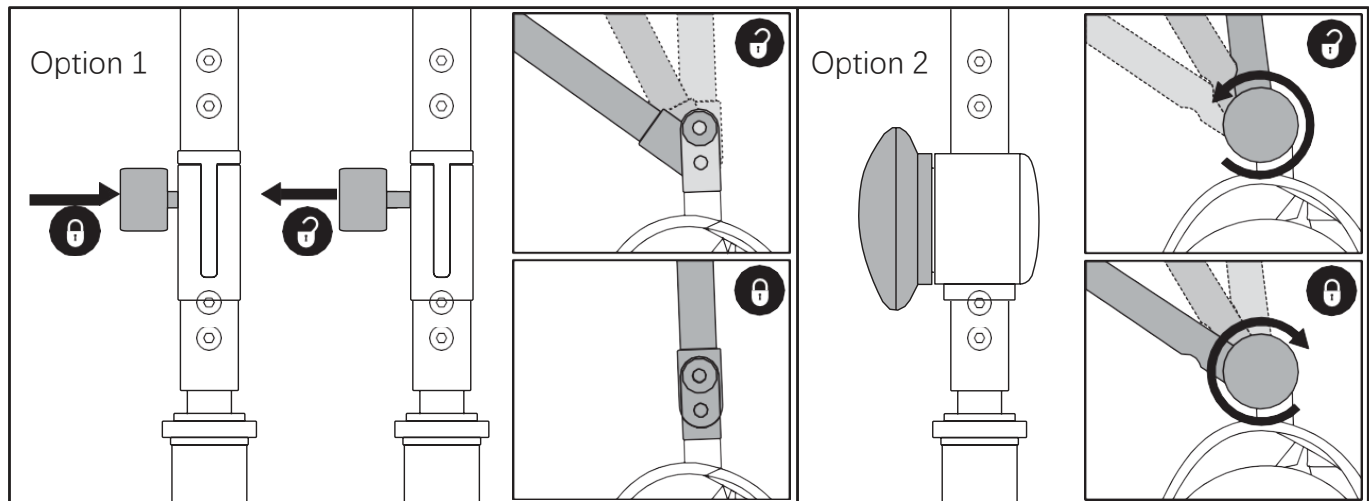


Figure 4. Tiller Adjustment Knobs

Tiller option 1: The Tiller is held in place by a knob. It supports only two states, includes vertically locked and unlocked. It has no angle adjustment function.

- Take the knob out of position of the hole of tiller to remove the fixation to fold the scooter.
- Hold tiller to maximum height and release the knob. It will automatically return to the tiller hole to secure the tiller.

Tiller option 2: The Tiller is held in place by a knob. It supports multi-angle adjustment. Height can be adjusted according to user requirements.



WARNING – Remove the key from the key switch before adjusting the tiller or the seat. Never attempt to adjust the tiller or the seat while the scooter is in motion.

ATTENTION – In order to fully lower the tiller, you must first remove the seat and battery pack. Remove the seat by pulling it straight up and off of the scooter.

6.3 Seat Rotation Adjustment

The seat rotation lever, located on the right side of the seat base, secures the seat into several positions.

See figure 5.

1. Pull up on the seat rotation lever to disengage the seat.
2. Rotate the seat to the desired position.
3. Release the lever to secure the seat into place.

6.4 Armrest Width Adjustment

The armrest width can be adjusted inward or outward.

1. Loosen the armrest adjustment knobs.
2. Slide the armrests in or out to the desired width.
3. Tighten the armrest adjustment knobs.

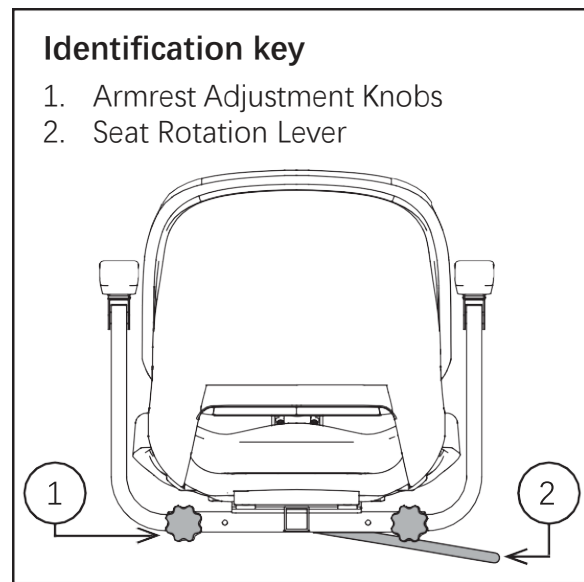


Figure 5. Seat Adjustments



ATTENTION – Pivot the armrests upward to aid in getting onto and off your scooter.

6.5 Seat Height Adjustment

The seat can be repositioned to different heights.

See figure 6.

1. Remove the seat and battery pack from your scooter.
2. Use the attached ring to pull and remove the detent pin from the lower seat post.
3. Raise or lower the upper seat post to the desired seat height.
4. While holding the upper seat post at that height, align the adjustment holes of the upper and lower seat posts.
5. Fully insert the detent pin.
6. Replace the battery pack and seat.

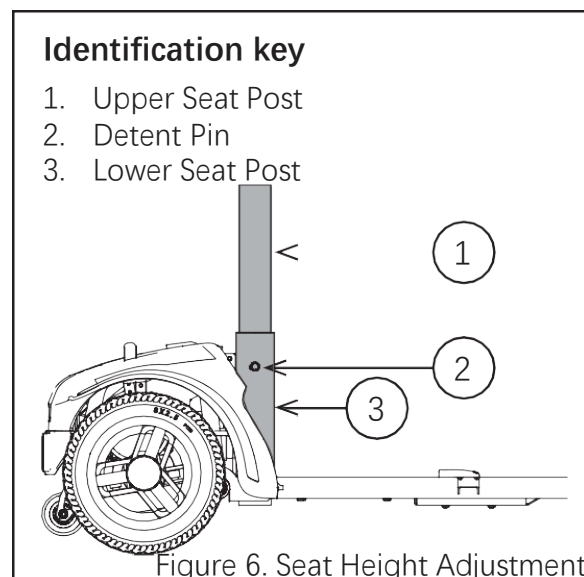


Figure 6. Seat Height Adjustment

7.1 Disassembly

You can disassemble your scooter into several pieces: ① the seat, ② the rear frame, ③ the front frame, ④ the basket, ⑤ the battery pack. No tools are required to disassemble or assemble your scooter. Always disassemble or assemble your Travel Scooter on a level, dry surface with sufficient room for you to work and move around—about 5 feet in all directions.

7.2 Disassembly Procedures



WARNING – Do not lift weight beyond your physical capability. Ask for assistance when necessary while disassembling or assembling your scooter.

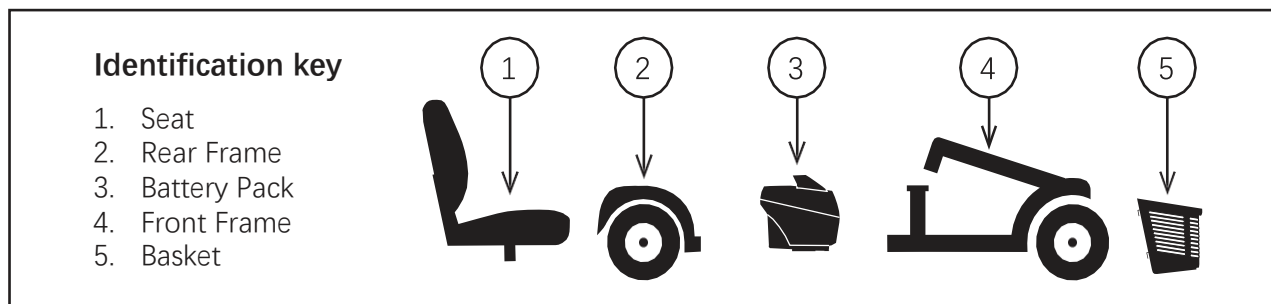


Figure 7. Disassembled Travel Scooter

1. Remove the seat by lifting it straight up and off scooter. If you encounter resistance when removing the seat, disengage the seat rotation lever and swivel the seat back and forth while lifting up on the seat.
2. Remove the battery pack by lifting the pack straight up and off scooter.

7.3 Frame Separation



ATTENTION – Before attempting assembly, tilt the rear half of the scooter slightly back on the anti-tip wheels as shown in figure 8.

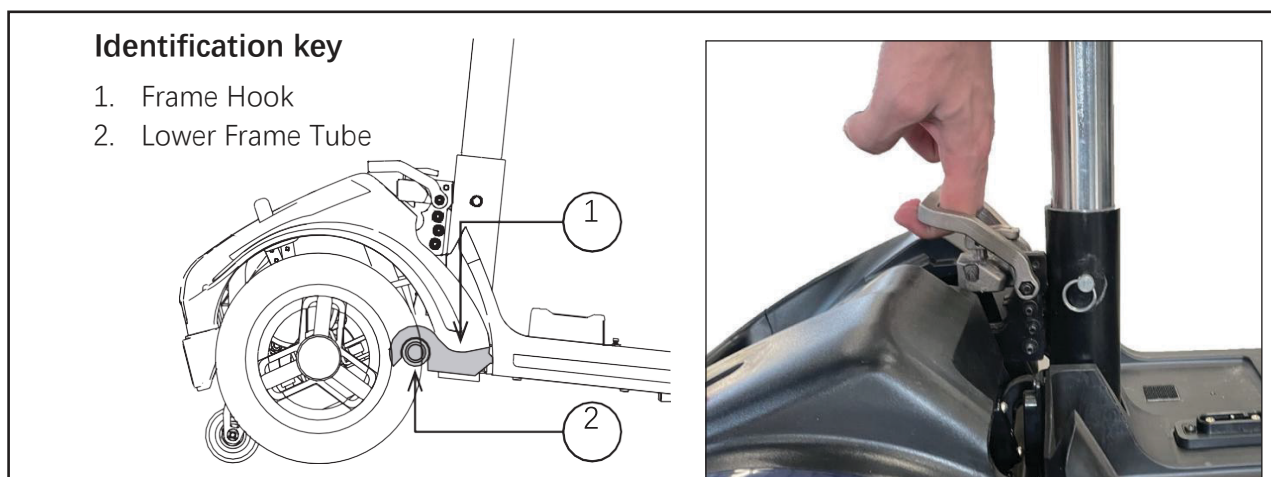


Figure 8. Frame Release Lever

1. With the seat and battery pack removed (see Disassembly Procedures on previous page), lower the tiller and tighten the tiller adjustment knob. See figure 4.
2. Lift up the frame release lever and move the front frame going forward until the front frame hooks are no longer resting on the rear frame tube.
3. Slowly separate the two parts of the scooter. See figure 8.

7.4 Assembly

1. Use the front frame release lever to lift the front frame as you align the framehooks of the front frame with the rear frame tube of the rear frame. See figure 8.
2. Once the frame hooks are over the rear frame tube, lower the front frame and pivot the rear frame simultaneously. This will engage the frame lock-up automatically. See figure 8.
3. Raise the tiller and fully secure the tiller adjustment knob. See figure 4.
4. Reinstall the battery pack.
5. Reinstall the seat and rotate it until it is secured into place.



WARNING – If the battery symbol light is flashing on the battery gauge, then the scooter has detected a fault. In this happens, follow the procedure below:

1. Release the Wigwag paddle, then switch the scooter off and on. If this does not clear the fault then proceed to step 2 below.
2. Switch the scooter off and recharge the battery fully. If this does not clear the fault then proceed to step 3 below.
3. Count the number of flashes. The symbol will flash several times before a long pause. Count the number of flashes between pauses and report this to Journey Customer Service. The flash error codes are listed below for reference.

Flash	Description	Meaning
1	Battery Low	The batteries are running low. <ul style="list-style-type: none"> • Recharge the batteries.
2	Low Battery Fault	The batteries have run out of charge. Recharge the batteries. Check the battery and associated connections and wiring.
3	High Battery Fault	Battery voltage is too high. This may occur if overcharged &/or travelling down a long slope. If travelling down a slope, reduce your speed to minimize the regenerative charging.
4	Current Limit Time-out or Controller too hot	The motor has been exceeding its maximum current rating for too long. <ul style="list-style-type: none"> • The scooter may have stalled. Turn the controller off, leave for a few minutes and turn back on again. • The motor may be faulty. Check the motor and associated connections and wiring.
5	Park Brake Fault	Either a park brake release switch is active or the park brake is faulty. <ul style="list-style-type: none"> • Check the park brake and associated connections and wiring. • Ensure any associated switches are in their correct positions.
6	Drive Inhibit	Either a Stop function is active or a Charger Inhibit or OONAPU condition has occurred. <ul style="list-style-type: none"> • Release the Stop condition (seat raised etc.) • Disconnect the Battery Charger. • Ensure the throttle is in neutral when turning the controller on. • The Throttle may require re-calibration.
7	Speed Pot Fault	The throttle, speed limit pot, SRW or their associated wiring may be faulty. <ul style="list-style-type: none"> • Check the throttle and speed pot and associated connections and wiring.
8	Motor Voltage Fault	The motor or its associated wiring is faulty. <ul style="list-style-type: none"> • Check the motor and associated connections and wiring.
9	Other error	The controller may have an internal fault. <ul style="list-style-type: none"> • Check all connections & wiring.

Contact Journey Customer Service at 1-800-958-8324 with questions.

Read the battery charging instructions in this manual and supply with the battery charger before charging the batteries. The battery condition meter on the tiller console indicates the approximate strength of your batteries using a color code. From right to left on the meter, green indicates fully charged batteries, yellow a draining charge, and red indicates that an immediate recharge is necessary. To ensure the highest accuracy, the battery condition meter should be checked while operating your scooter at full speed on a dry, level surface.

9.1 First Charge

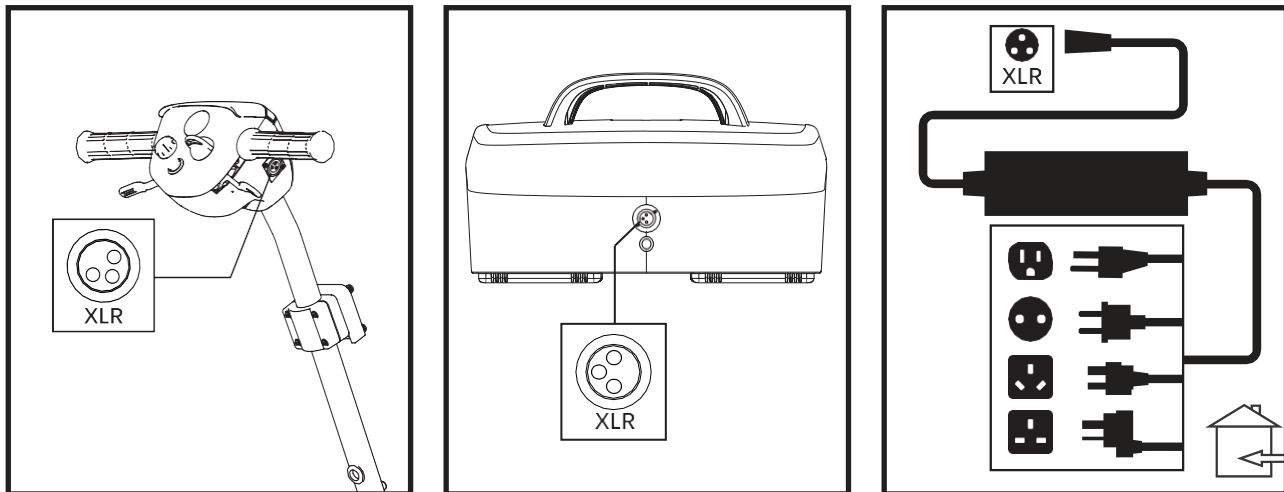
Your mobility scooter requires two long-lasting, 12-volt, deep-cycle batteries that are sealed and maintenance-free.

They are recharged by the supplied off-board charging system. Charge your mobility scooter's batteries for at least 8 to 14 hours prior to using it for the first time. Keep the batteries fully charged to keep your mobility scooter running smoothly.

9.2 Charging Your Scooter

The mobility scooter can be charged using the charging ports located on the scooter or on the battery pack. Plug the charger into the scooter or battery pack and then into the electrical outlet. When the batteries are fully charged, remove the charger from the scooter.

9.3 Operating Temperatures



Your mobility scooter is designed to operate ideally between -14°F to 122°F . In extremely cold conditions, your batteries may freeze depending on the battery charge, usage, and composition of the batteries. In extremely hot conditions, your scooter may operate at a slower speed. This is due to the safety mechanism built into the unit to prevent damage to the gearbox and other electronic functions when operating too hot.

9.4 Battery Operation and Charging

We recommend that you charge your mobility scooter's batteries for at least 8 to 14 hours after daily use. We recommend charging the batteries for an additional 4 hours after the battery charger indicates that charging is complete.

If you use your mobility scooter once a week or less, charge its batteries at least once a week for at least 24 hours.

9.5 Charging Batteries



ATTENTION – Keep your batteries fully charged and avoid deeply discharging your batteries. Refer to the manual supplied with the battery charger for charging instructions. We recommend charging your batteries for at least 48 continuous hours once per month to improve battery performance and battery life.

The light on your charger indicates different charge status.

Red Light – This means that charging is in operation.

Green Light – This means that bulk charging (95% charge) is complete and the charger is trickle charging the battery.



ATTENTION – There is a charger that inhibits function on your mobility scooter. The mobility scooter will not run, and the battery condition meter will not operate while the batteries are charging (when the battery pack is being charged on the mobility scooter).



WARNING – Removal of grounding prongs can create an electrical hazard. If necessary, properly install an approved 3-pronged adapter to an electrical outlet having 2-pronged plug access.

WARNING – Never use an extension cord to plug in your battery charger. Plug the charger directly into a properly wired standard electrical outlet.

WARNING – Do not allow unsupervised children to play near the mobility scooter while the batteries are charging. We recommend that you do not charge the batteries while the mobility scooter is occupied.

WARNING – Explosive gases may be generated while charging the batteries. Keep the mobility scooter and battery charger away from sources of ignition such as flames or sparks and provide adequate ventilation when charging the batteries.

WARNING – You must recharge your mobility scooter's batteries with the supplied off-board charger. Do not use an automotive-type battery charger.

WARNING – Inspect the battery charger, wiring, and connectors for damage before each use. Contact Journey Customer Service if the damage is found.

WARNING – Do not attempt to open the battery charger case. If the battery charger does not appear to be working correctly, contact Journey Customer Service.

WARNING – Be aware that the battery charger case may become hot during charging. Avoid skin contact and do not place on surfaces that may be affected by heat.

WARNING – If your battery charger has not been tested and approved for outdoor use, then do not expose it to adverse or extreme weather conditions. If the battery charger is exposed to adverse or extreme weather conditions, then it must be allowed to adjust the difference in environmental conditions before use indoors.

Your mobility scooter requires a minimal amount of care and maintenance. If you do not feel confident in your ability to perform the maintenance listed below, you may schedule inspection and maintenance via Journey Customer Service. The following areas require periodic inspection or care and maintenance:

10.1 Tire

Regularly inspect your mobility scooter's tires for signs of damage or wear.

10.2 Wheel Replacement

Your mobility scooter is equipped with tires. If you have a damaged or worn tire, the entire wheel must be replaced. Contact Journey Customer Service for information regarding replacement wheels for your mobility scooter.



WARNING – Wheels on your mobility scooter should only be serviced/replaced by a qualified technician. Be sure that the key is removed from the key switch and the scooter is not in freewheel mode before performing this procedure.

10.3 Exterior Surfaces

Bumpers, tires, and trim can benefit from an occasional application of a rubber or vinyl conditioner.

10.4 Cleaning and Disinfection

Use a damp cloth and mild, non-abrasive cleanser to clean the plastic and metal parts of your mobility scooter. Avoid using products that may scratch the surface of your mobility scooter. If necessary, clean your product with an approved disinfectant. Make sure the disinfectant is safe for use on your product before application.



WARNING – Follow all safety instructions for the proper use of the disinfectant or cleaning agent before applying it to your product. Failure to comply may result in skin irritation or premature deterioration of upholstery or mobility scooter finishes.

10.5 Battery Terminal Connections

Make certain that the terminal connections remain tight and are not corroded.

10.6 Wiring Harnesses

- Regularly check all wiring connections.
- Regularly check all wiring insulation, including the charger power cord, for wear or damage.
- Contact Journey Customer Service to schedule repair or replacement of any damaged connector, connection, or insulation that you find before using your mobility scooter again.

10.7 Daily Checks

With the power turned off, check the throttle. Make sure it is not bent or damaged and that it returns to the neutral position when you release it. Do not try to repair it. Contact Journey Customer Service if there is a problem.

10.8 Nylon Lock Nut Replacement

Any nylon insert lock nut removed during the periodic maintenance, assembly, or disassembly of the mobility scooter must be replaced with a new nut. Nylon insert lock nuts should not be reused as it may cause damage to the nylon insert, resulting in a less secure fit. Replacement nylon insert lock nuts are available at local hardware stores.

10.9 Storing Your Travel Scooter

If you plan on not using your mobility scooter for an extended period of time, it is best to:

- Fully charge its batteries prior to storage.
- Remove the battery pack from the mobility scooter.
- Store your scooter in a warm, dry environment.
- Avoid storing your scooter where it will be exposed to temperature extremes.
- Recommended storage temperature: -14°F to 122°F.
- Ensure the atmospheric pressure is between 86 kPa to 106kPa.



WARNING – Operation under high temperature, tires becoming soft.
Operation under very low temperature, tires crack.

- Recommended storage humidity: 30% to 70%.



WARNING – High humidity may affect the strength of the frame.

Batteries that are regularly and deeply discharged, infrequently charged, stored in extreme temperatures, or stored without a full charge may be permanently damaged, causing unreliable performance and limited service life. It is recommended that you charge the mobility scooter batteries periodically throughout periods of prolonged storage to ensure proper performance.

For prolonged storage, you may wish to place several boards under the frame of your mobility scooter to raise it off of the ground. This takes the weight off the tires and reduces the possibility of flat spots developing on the areas of the tires contacting the ground.

10.10 Disposal of Your Mobility scooter

Your mobility scooter must be disposed of according to applicable local and national statutory regulations. Contact your local waste disposal agency for information on proper disposal of packaging, metal frame components, plastic components, electronics, batteries, neoprene, silicone, and polyurethane materials.

11. SPECIFICATIONS

Model	08910 Journey Adventure
Type	Scooter, rear wheel drive, Class A
Max. weight of user	300 lbs
Max. speed (driving forward)	5 mph
Min. braking distance at max. speed	5 mph: 54.3 in.
Endurance mileage	24V15Ah AGM Battery: 16km
Maximum height of obstacle	2 in
Maximum safe slope	6°
Minimum turning radius	51.1 in
Minimum width required to reverse	51.1 in
L x W x H Dimensions unfolded(mm)	41.3" x 19" x 34.6"
Total mass, battery included	96 lbs (24V15Ah AGM)
Weight of battery	20 lbs
Maximum weight of single part (Front frame assembly)	33 lbs
Effective seat depth	14.2 in
Effective seat width	17.1 in
Seat surface height at front edge	20-21.5 in
Height footplate	4.3 in
Angle seat surface	3°
Motor	270 Watt, electromagnetic brake
Battery	AGM Battery 24V15Ah
Controller	Dynamic 50A
Protection class	IP X5
Battery charger	Input : 100-240 VAC , 50-60Hz , 1.2-0.5A , Class II Output : 24VDC , 2.0A
Protection class of battery charger	IPX1
Insulation class of battery charger	Class 2
Max. sound level scooter motor	68 dB
EMC compatible according to	ISO 7176-21
Ignitability of upholstery according to	EN 1021-2
Diameter rear wheels (number)	8x2.5inch
Diameter front wheels (number)	8x2.5 inch
Suspension	N/A
Control (wig-wag)	Lever to start/stop movement
Operating console	Rotatable switch for speed control
Storage and use temperature	-10 ° C to +50 ° C
Humidity to store and use	30% ~70%
<p>We reserve the right to introduce technical changes. Measurement tolerance ± 15 mm /1,5 kg / 1,5°. * The theoretical action radius reduces if the scooter is frequently used on slopes, rough surfaces or to climb kerbs. The maximum driving distance is tested in ideal circumstances according to ISO7176-4.</p>	

11. SPECIFICATIONS

Speed and range may vary with user weight, type of terrain, battery charge and condition. The information contained herein is correct at the time of publication; Journey Health & Lifestyle reserves the right to alter specifications.

Disclosure information (ISO)						
	min.	max.			min.	max.
Overall length with leg rest	41.1 in	41.1 in		Static stability sideways	11°	11°
Overall width	19 in	19 in		Seat depth	14.2 in	14.2 in
Folded length	41.1 in	41.1 in		Seat width	17.1 in	17.1 in
Folded width	19 in	19 in				
Folded height	13.8 in	34.6 in		Backrest angle	20°	20°
Total weight	96 lbs	96 lbs		Backrest height	13 in	13 in
Weight of the heaviest part	33 lbs	33 lbs		Floor to seat distance	18 in	21 in
Dynamic stability uphill	8 °	8 °		Range	12.4 miles	12.4 miles
Obstacle climbing	1.8 in	2 in		Turning radius	51.2 in	51.2 in
Maximum speed forward	5 mph	5 mph		Weight Capacity	300 lbs	300 lbs
Minimum braking distance from max speed	54.3 in	54.3 in		Required doorway entry depth	54.3 in	54.3 in

12.1 Two (2) Year Limited Warranty

Your Journey Adventure scooter is fully guaranteed for twenty four (24) months from the date of purchase against faults arising due to defects in manufacture or materials related to structural frame components, including: seat support tube and welded frames.

12.2 One (1) Year Limited Warranty

Your Journey Adventure scooter is fully guaranteed for twelve (12) months from the date of purchase against faults arising due to defects in manufacture or materials related to all electronic parts and drivetrain, including controllers, battery chargers, differential, motor, wheels and brakes. Servicing to the controller, battery or battery charger must be carried out by an authorized Journey Health & Lifestyle Provider. Any attempt to open or dismantle these items renders the guarantee void on that item.

12.3 Not Covered Under Warranty

This warranty does not extend to those items which may need replacement due to normal wear and tear (tires, belts, bulbs, upholstery, plastic shrouds, motor brushes, and fuses), or damage to the product caused by misuse or accident for which Journey Health & Lifestyle cannot be held responsible. This warranty does not include labor or service calls.

12.4 Batteries



ATTENTION – Gradual deterioration in performance due to being left in a discharged state, left in cold conditions for long periods of time, or worn out through heavy use is not covered.

Batteries are covered by a six (6) month warranty from Journey Health & Lifestyle.

12.5 Service Checks and Warranty Service

Warranty service can be performed by an authorized Journey Health & Lifestyle Provider. Please contact Journey Health & Lifestyle Customer Service to schedule service.

12.6 Replacement Units

The availability of replacement units and/or spare parts is subject to the discretion of Journey Health & Lifestyle. For more information regarding replacement units and/or spare parts, contact Journey Health & Lifestyle.

Guidance and Manufacturer's Declaration

Below cables information is provided for EMC reference.

Cable	Max. cable length, Shielded/unshielded		Number	Cable classification
AC Power Line	170cm	Unshielded	1 Set	AC Power
DC Power Line	115cm	Unshielded	1 Set	DC Power

Important information regarding Electro Magnetic Compatibility (EMC)

This electrical medical equipment needs special precautions regarding EMC and put into service according to the EMC information provided in the user manual; The equipment conforms to this IEC 60601-1-2:2014 standard for both immunity and emissions. Nevertheless, special precautions need to be observed:

- The equipment with no ESSENTIAL PERFORMANCE is intended used in Home healthcare environment
- WARNING: Use of this equipment adjacent to or stacked with other equipment should be avoided because it could result in improper operation. If such use is necessary, this equipment and the other equipment should be observed to verify that they are operating normally”.
- The use of accessories, transducers and cables other than those specified or provided by the manufacturer of this equipment could result in increased electromagnetic emissions or decreased electromagnetic immunity of this equipment and result in improper operation.
- WARNING: Portable RF communications equipment (including peripherals such as antenna cables and external antennas) should be used no closer than 30 cm (12 inches) to any part of the model VIRGO series, including cables specified by the manufacturer. Otherwise, degradation of the performance of this equipment could result.”
- WARNING: If the use location is near (e.g. less than 1.5 km from) AM, FM or TV broadcast antennas, before using this equipment, it should be observed to verify that it is operating normally to assure that the equipment remains safe with regard to electromagnetic disturbances throughout the expected service life.



 **journey**
adventure

If you have any questions, call us at our toll free number:

1-800-958-8324